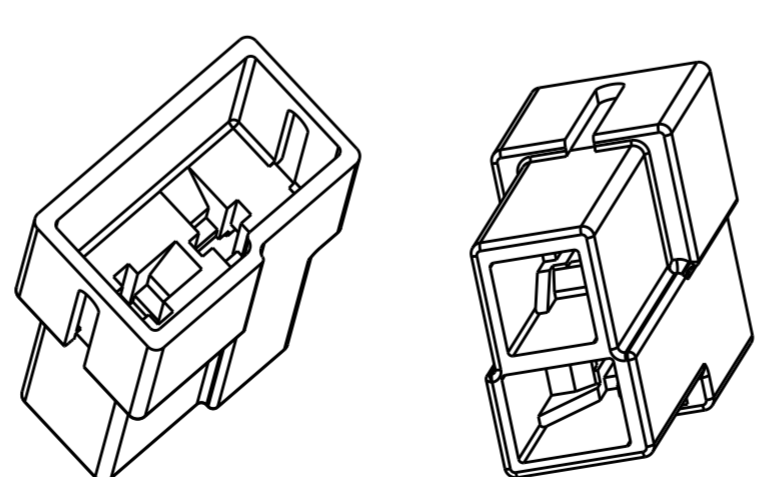
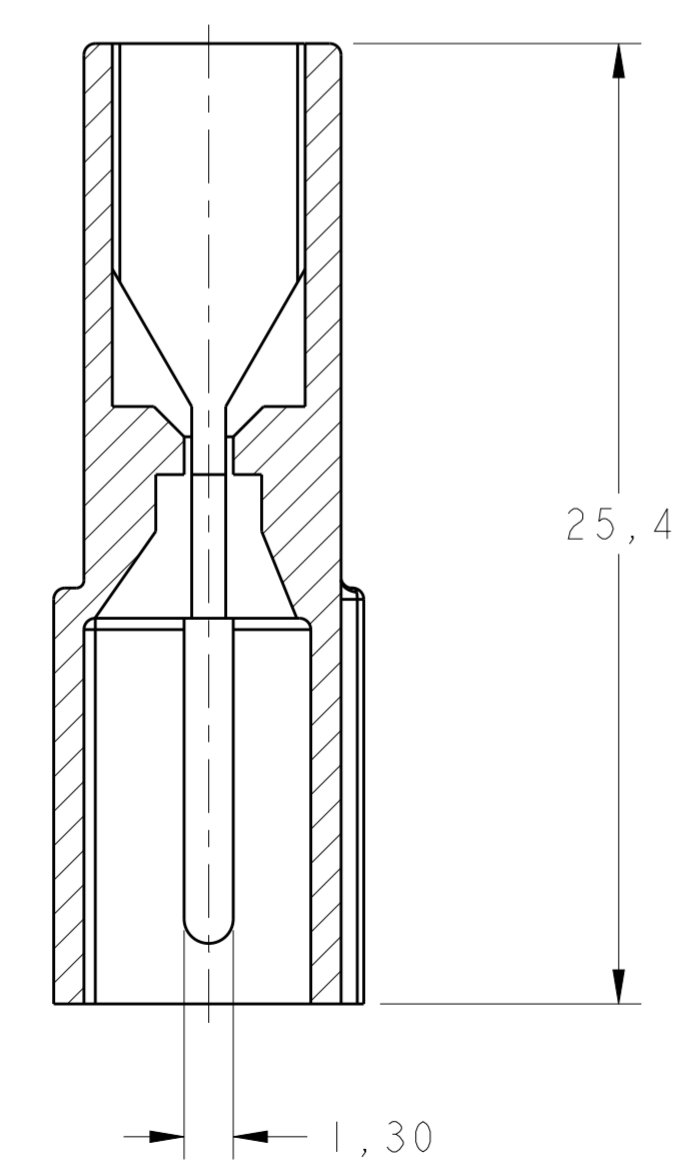
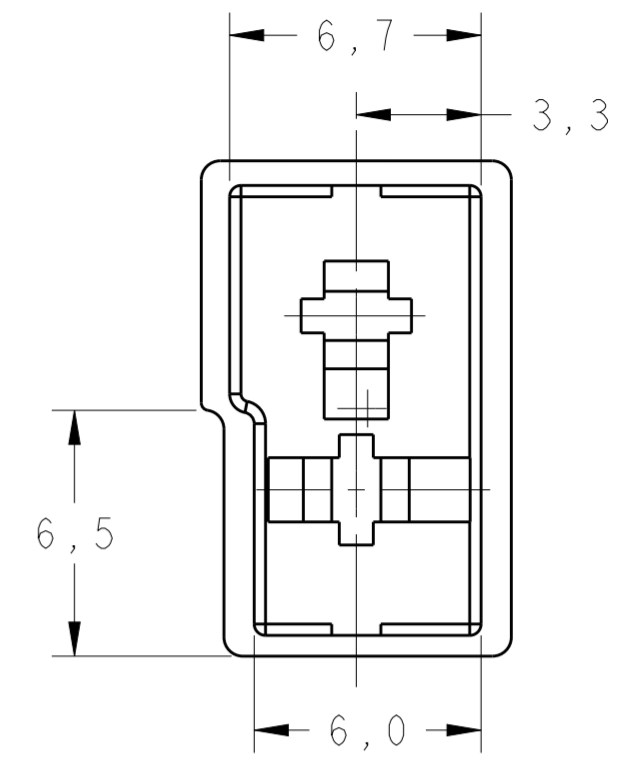
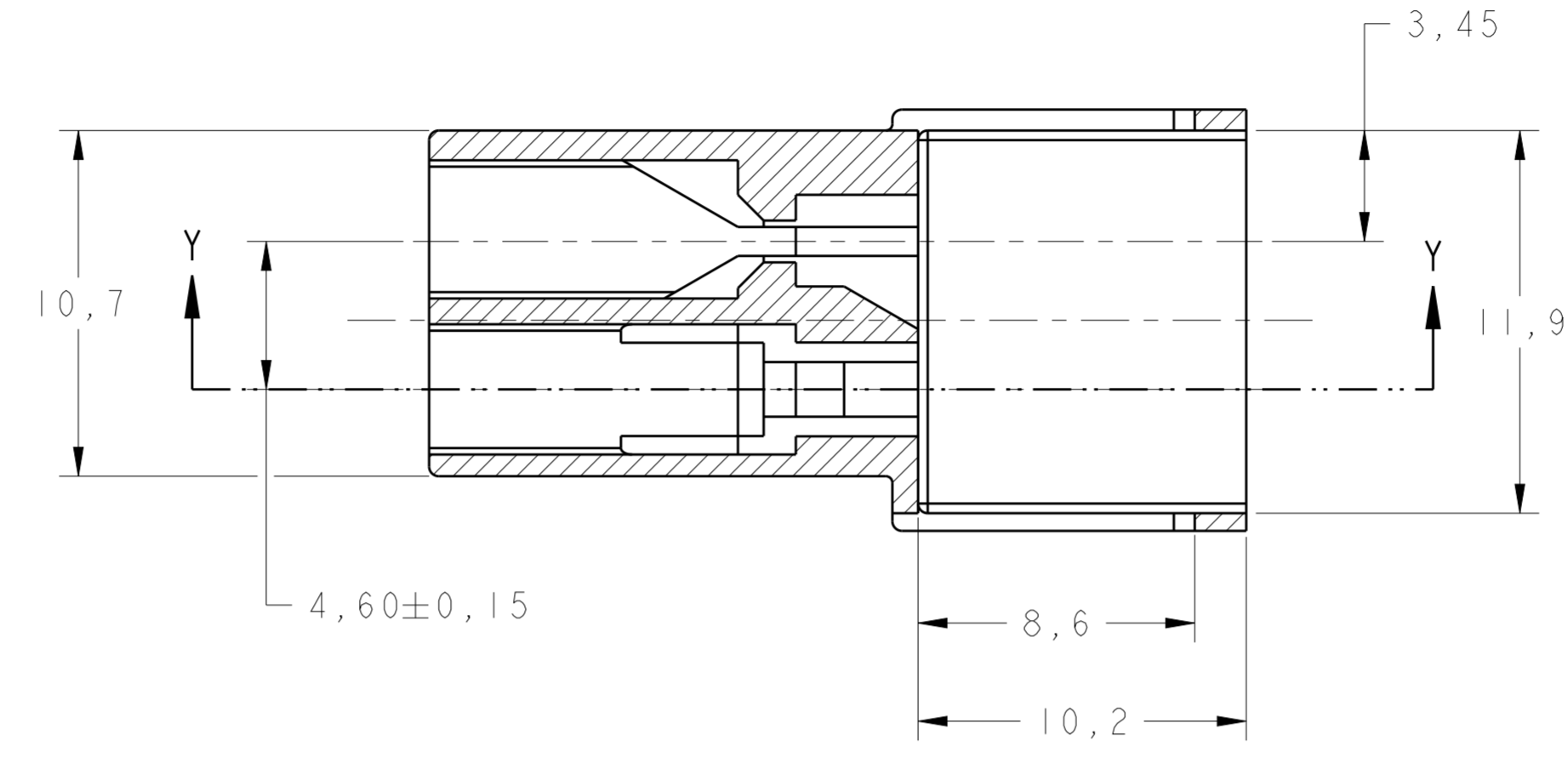
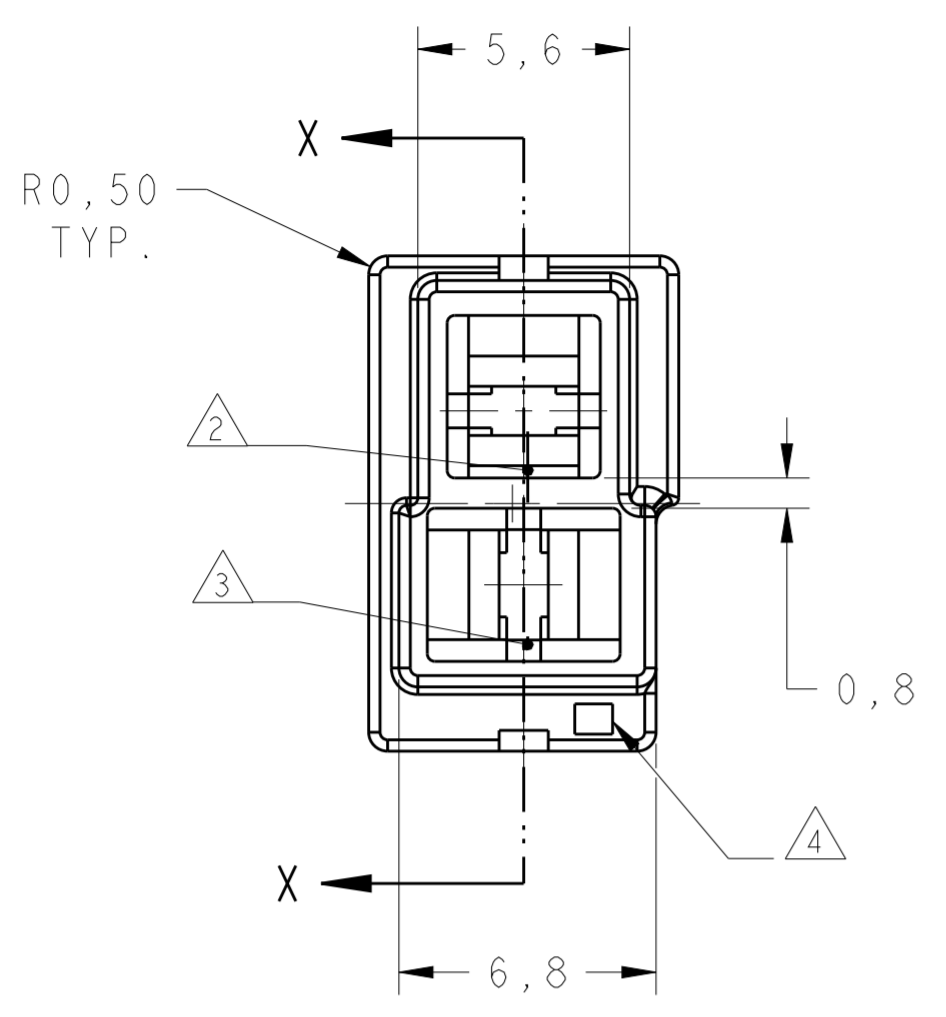


THIS DRAWING IS UNPUBLISHED. RELEASED FOR PUBLICATION 20  
 © COPYRIGHT 20 BY - ALL RIGHTS RESERVED.

**creo**  
 CreoParametri2.0  
**DO NOT REVERSE**  
**EXCEPT BY CAD**

REVISIONS					
P	LTR	DESCRIPTION	DATE	DWN	APVD
M		REVISED DESIGN ECO-14-005638	16APR2014	NCL	GOJ
M1		REVISED DRAWING ECO-14-012763	16OCT2014	NCL	DAO
M2		REV. BY ECO 14-019128	09JAN2015	HC	WLS



PERSPECTIVE VIEW  
 SCALE 3:1

- △1- MATERIA PRIMA CONFORME ESPECIF. IEC 60335-1  
 GWT 750° C, SEM CHAMAS.  
 - RAW MATERIAL ACC. TO SPEC 60335-1  
 GWT 750° C, WITHOUT FRAME.
- △2- CIRCUITO 1-SOMENTE PARA REFERENCIA.  
 - CIRCUIT 1- FOR REFERENCE ONLY.
- △3- CIRCUITO 2- SOMENTE PARA REFERENCIA.  
 - CIRCUIT 2- FOR REFERENCE ONLY.
- △4- NÚMERO DA CAVIDADE DO MOLDE.  
 - MOLD CAVITY NUMBER.
- △5- OBSOLETE PARTS: OBSOLETE CIS STREAMLINING  
 PER D.RENAUD/D.SINISI

6-WORK BETTER WHEN USED WITH  
 TAB PN-881719 OR PN-880638.

FINISH	MATERIAL	PART NUMBER
NATURAL	PA6.6 V-0	△1 1-626065 -2
NATURAL	PA6.6-ZYTEL 103 HSL	△5 1-626065 -1
NATURAL	PBT V-0	△5 1-626065 -0
ORANGE	POLIAMIDA 6.6	△5 626065 -9
VIOLET	POLIAMIDA 6.6	△5 626065 -8
GRAY	POLIAMIDA 6.6	△5 626065 -7
BROWN	POLIAMIDA 6.6	△5 626065 -6
BLACK	POLIAMIDA 6.6	626065 -5
YELLOW	POLIAMIDA 6.6	△5 626065 -4
BLUE	POLIAMIDA 6.6	△5 626065 -3
GREEN	POLIAMIDA 6.6	△5 626065 -2
RED	POLIAMIDA 6.6	△5 626065 -1
NATURAL	POLIAMIDA 6.6	626065 -0

THIS DRAWING IS A CONTROLLED DOCUMENT.

DIMENSIONS: mm	TOLERANCES UNLESS OTHERWISE SPECIFIED: 0 PLC ±0,2 1 PLC ±0,3 2 PLC ± 3 PLC ± 4 PLC ± ANGLES ±30' FINISH	DWN NCLAPRESA 18FEB2011 CHK JRGOLDSCHIMDT 18FEB2011 APVD MBGODOY 18FEB2011	NAME - STE TE Connectivity
MATERIAL SEE TABLE		PRODUCT SPEC - APPLICATION SPEC - WEIGHT -	HOUSING 2 POSN., FASTIN-ON .110 TAB
		Customer Drawing	SIZE A2 CAGE CODE 00779 DRAWING NO C-626065 RESTRICTED TO - SCALE 5:1 SHEET 1 OF 1 REV M2

## X-ON Electronics

Largest Supplier of Electrical and Electronic Components

*Click to view similar products for [Terminals](#) category:*

*Click to view products by [TE Connectivity](#) manufacturer:*

Other Similar products are found below :

[HT-13-10](#) [71M-250-32-NB](#) [01-2065-1-0216](#) [00581P0075](#) [M10-10RX](#) [M10BCK](#) [60205-1](#) [604200-1](#) [60598-1-CUT-TAPE](#) [60617-1-C](#) [60873-1](#) [M14-516R/SK](#) [M14-6RSX](#) [M18-10FLX](#) [M18-8FBX](#) [M18-8R/LX](#) [M18BCK](#) [61314-6-C](#) [61-S](#) [61-SN-A](#) [62149-1](#) [62-NBM-A](#) [63-S](#) [640179-1](#) [640917-2-CUT-TAPE](#) [6501550002](#) [66107-2-C](#) [66107-4-C](#) [696683-1](#) [696834-1](#) [696861-1](#) [696931-1](#) [696999-1](#) [M8-516RK](#) [M86700006](#) [MA250DMFMX-A](#) [701-2007](#) [701-2307](#) [701-7761-03](#) [70F-110-32-PB](#) [718-N-A](#) [71M-187-20-NBL](#) [71M-250-32-NBL](#) [72F-187-20-NBL](#) [72M-250-32-NBL](#) [7310](#) [73F-250-32](#) [73F-250-32-NBL](#) [73F-250-32-NL](#) [F-1M](#)