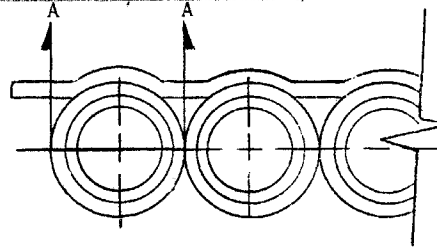
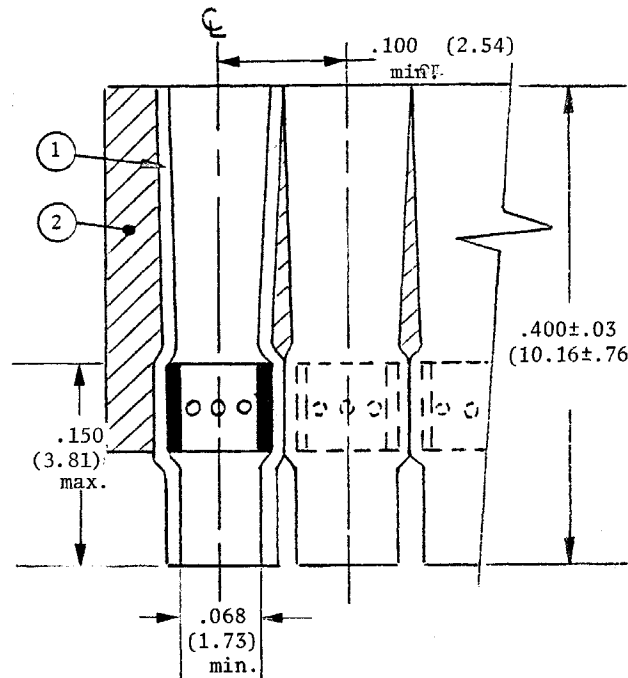


REVISIONS			
LTR	DESCRIPTION	DATE	APPROVED
B	REVISED PER DCO# 01831	7/18/80	Plain
C	REVISED PER ECN# T- 5747	10-7-82	73

1. RAYCHEM SOLDER SLEEVE
(20 per assembly)
Transparent blue, radiation crosslinked polyvinylidene fluoride containing a solder preform conforming to QQ-S-571 type Sn 63 S RMAP 2.



2. CARRIER STRIP
Adhesive coated high temperature tape.



NOTES:

- a. This assembly is designed for use with a Raychem AS-4000 Series Wire Organization System to terminate wires to a Raychem SEM Connector. The wire shall have 30 - 24 gauge silver or tin plated conductors and insulation rated for at least 125°C, the O.D. over the jacket shall be .025 and .068.
- b. Temperature rating of terminator: -65°C to +125°C.
- c. Insulation sleeve will recover to .030, max. I.D.
- d. Acceptance sampling shall be in accordance with Inspection Level I of MIL-STD-105. The acceptable quality level (AQL) shall be 4.0.

© 1978 RAYCHEM CORPORATION

DO NOT SCALE THIS DRAWING

CONNECTORS SPECIFICATION CONTROL DRAWING

UNLESS OTHERWISE SPECIFIED DIMENSIONS ARE IN INCHES AND TOLERANCES ARE:
.XXX ±
.XX ±
.X ±

DRAWN	1/45
CHECKED	
APPROVED	1/45 1/15/79
APPROVED	2/25 10/31/78
APPROVED	
PART NO.	
PROJECT	6448-7029

RAYCHEM

RAYCHEM CORPORATION
300 CONSTITUTION DRIVE
MENLO PARK, CALIFORNIA 94025

TITLE
Solder Sleeve Wire Terminator Assembly
24 - 30 Gauge Wire/SEM Connector

SIZE A CODE IDENT. NO. 06090 DWG. NO. CTA-0050

SCALE WEIGHT SHEET 1 OF 1

X-ON Electronics

Largest Supplier of Electrical and Electronic Components

Click to view similar products for [Solder Sleeves & Shield Tubing](#) category:

Click to view products by [TE Connectivity](#) manufacturer:

Other Similar products are found below :

[D-260-C-A](#) [899170-000](#) [620040N001](#) [620069N003](#) [620263N004](#) [CTA-0050-01](#) [629624-000](#) [6501390002](#) [CX0781-000](#) [CX0782-000](#)
[696396-000](#) [697080-000](#) [715325N001](#) [FLX40-030-02-CS8652](#) [D-436-38CS2908](#) [CB0213-000](#) [CB0219-000](#) [274384-000](#) [285343-000](#)
[970053-000](#) [ST18-2-00](#) [FLX40-020-04-CS8651](#) [317035-000](#) [325534-000](#) [D-100-00-WOTI](#) [D-150-1011](#) [395947-000](#) [427243N001](#) [C03534-](#)
[000](#) [CB0220-000](#) [D44133N001](#) [477436-000](#) [451893-000](#) [931289-000](#) [162583-000](#) [585769N001](#) [610001N004](#) [6200060004](#) [622041N003](#)
[626167-000](#) [EG3678-000](#) [650075N002](#) [6500820003](#) [6500850004](#) [650126N010](#) [650127N005](#) [146201-000](#) [7400720001](#) [CA3200N001](#) [82-A2](#)