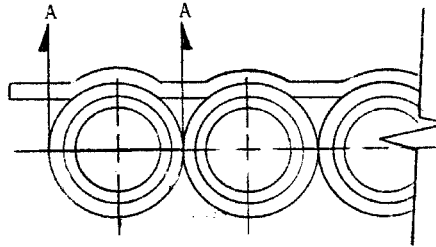


REVISIONS			
LTR	DESCRIPTION	DATE	APPROVED
B	REVISED PER DCO # 01331	7/18/80	Plain
C	REVISED PER ECN# T- 3749	10-1-82	JB

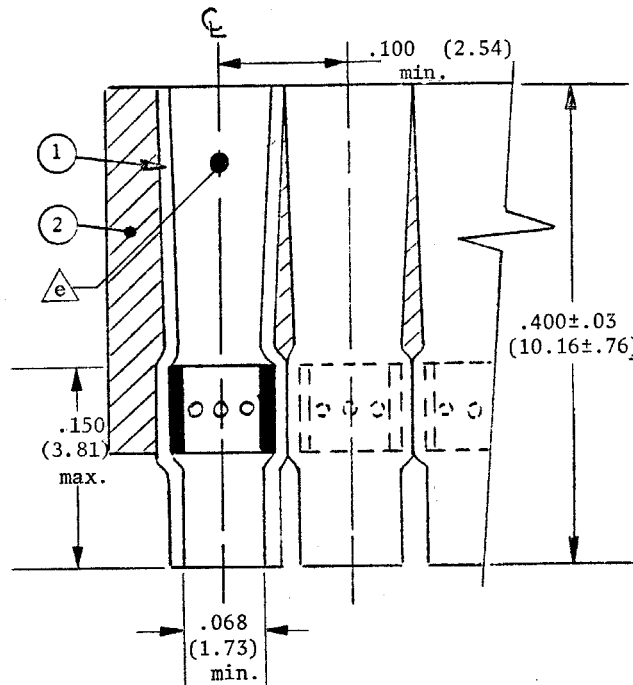
1. RAYCHEM SOLDER SLEEVE  
(20 per assembly)  
Transparent blue, radiation crosslinked polyvinylidene fluoride containing a solder preform conforming to QQ-S-571 type Sn63 9 RMAP 2



2. CARRIER STRIP  
Adhesive coated high temperature tape.

NOTES:

- a. This assembly is designed for use with a Raychem AS-4000 Series Wire Organization System to terminate wires to a Raychem SEM Connector. The wire shall have 20 - 22 gauge tin or silver plated, stranded conductors and insulation rated for at least 125 C, the O.D. over the jacket shall be between .025 and .068.
- b. Temperature rating of terminator: -65°C to +125°C.
- c. Insulation sleeve will recover to .030 max. I.D.
- d. Acceptance sampling shall be in accordance with Inspection Level I of MIL-STD-105. The acceptable quality level (AQL) shall be 4.0. Color code shall be clearly visible before and after termination.



DO NOT SCALE THIS DRAWING

CONNECTORS SPECIFICATION CONTROL DRAWING

© 1978 RAYCHEM CORPORATION

UNLESS OTHERWISE SPECIFIED DIMENSIONS ARE IN INCHES AND TOLERANCES ARE:  
.XXX : ±  
.XX : ±  
.X : ±

DRAWN	16/5
CHECKED	[Signature]
APPROVED	1/5/79 1-5-79
APPROVED	36T 10/31/82
PART NO.	
PROJECT	6448-7029

RAYCHEM

RAYCHEM CORPORATION  
300 CONSTITUTION DRIVE  
MENLO PARK, CALIFORNIA 94025

TITLE  
Solder Sleeve Wire Terminator Assembly  
20 - 22 Gauge Wire/SEM Connector

SIZE CODE IDENT. DWG. NO.  
A NO. 06090 CTA-0051

SCALE WEIGHT SHEET 1 OF 1

## X-ON Electronics

Largest Supplier of Electrical and Electronic Components

*Click to view similar products for [Solder Sleeves & Shield Tubing](#) category:*

*Click to view products by [TE Connectivity](#) manufacturer:*

Other Similar products are found below :

[D-260-C-A](#) [899170-000](#) [620040N001](#) [620069N003](#) [620263N004](#) [CTA-0050-01](#) [629624-000](#) [6501390002](#) [CX0781-000](#) [CX0782-000](#)  
[696396-000](#) [697080-000](#) [715325N001](#) [FLX40-030-02-CS8652](#) [908357N001](#) [D-436-38CS2908](#) [CB0213-000](#) [CB0219-000](#) [274384-000](#)  
[285343-000](#) [970053-000](#) [ST18-2-00](#) [FLX40-020-04-CS8651](#) [317035-000](#) [325534-000](#) [D-100-00-WOTI](#) [D-150-1011](#) [395947-000](#)  
[427243N001](#) [514535-000](#) [C03534-000](#) [CB0220-000](#) [D44133N001](#) [626168-000](#) [451893-000](#) [931289-000](#) [162583-000](#) [585769N001](#)  
[610001N004](#) [6200060004](#) [622041N003](#) [626167-000](#) [EG3678-000](#) [650075N002](#) [6500820003](#) [6500850004](#) [650126N010](#) [650127N005](#)  
[146201-000](#) [7400720001](#)