

THIS DRAWING IS UNPUBLISHED.

RELEASED FOR PUBLICATION

20

© COPYRIGHT 20

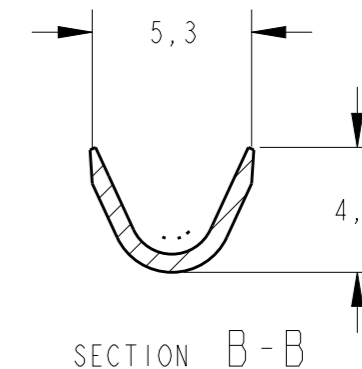
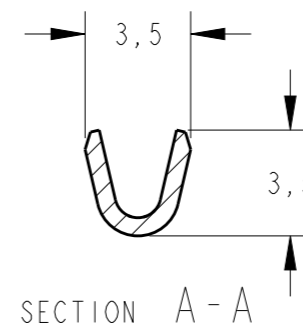
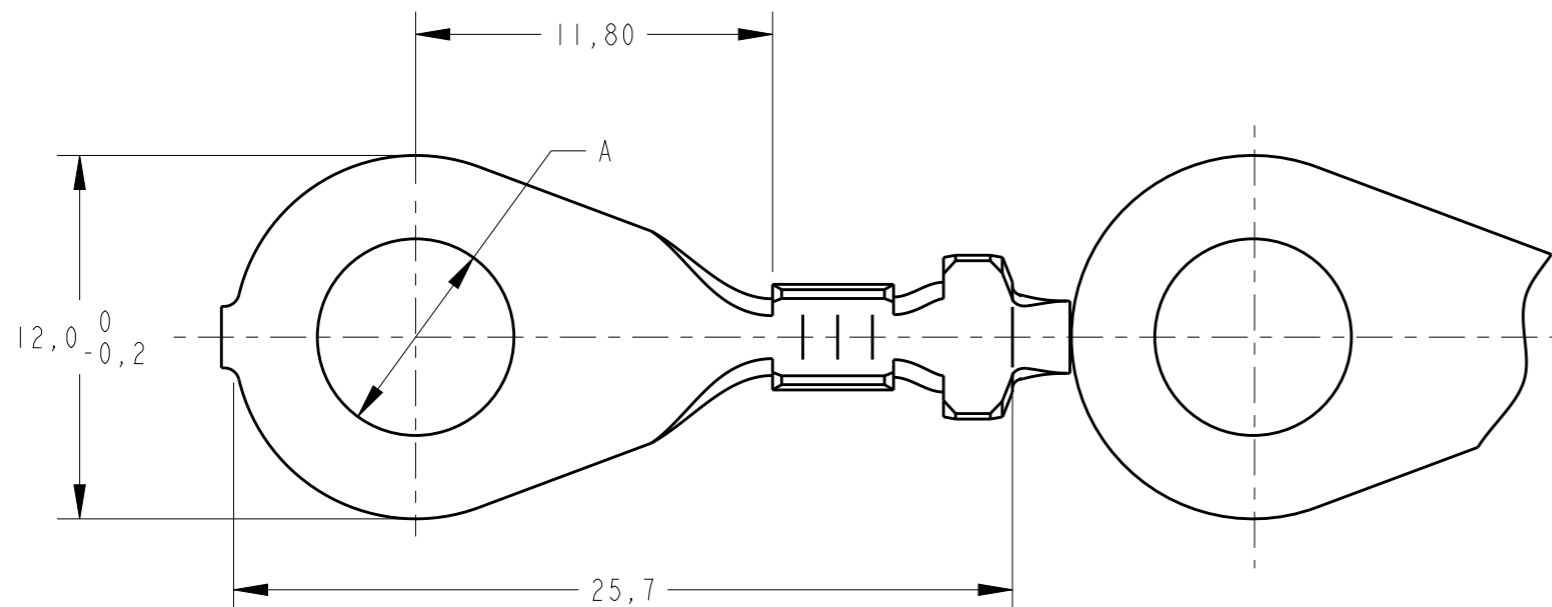
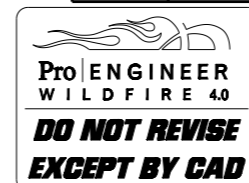
ALL RIGHTS RESERVED.

LOC  
AP

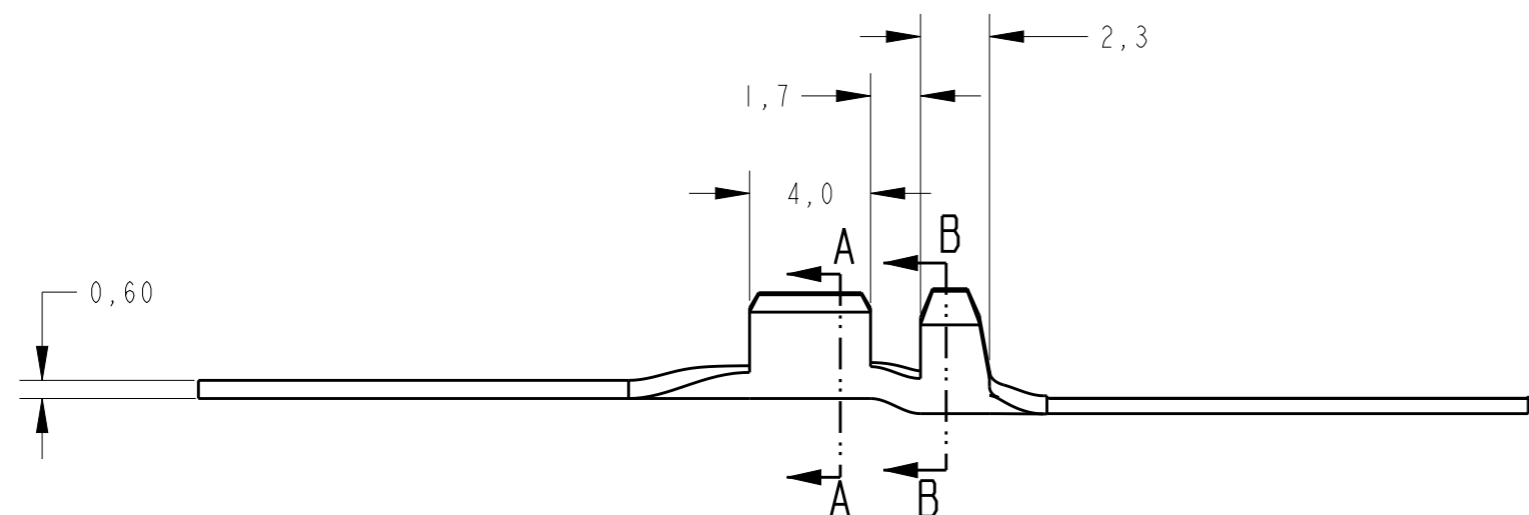
DIST  
-

REVISIONS

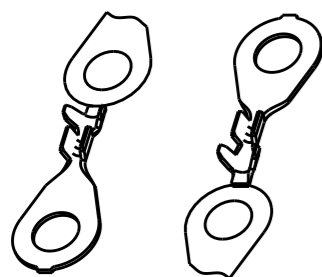
P	LTR	DESCRIPTION	DATE	DWN	APVD
D2		REDRAW BY CAD ECO-12-010156	05JUN2012	MAS	GB
D3		REVISED DRAWING ECO-13-006290	17APR2013	NCL	DAO
D4		CHANGE SPEC ECO-13-011010	13AUG2013	NCL	DAO
D5		REVISED BY ECO 16-005813	19JULY2016	HC	WLS



△ - CA 272



	6,5	ESTANHADO	LATÃO	626030-5
<b>OBSOLETE</b>	8,3	ESTANHADO	BRONZE FOSFOROSO	626416-4
<b>OBSOLETE</b>	8,3	----/----	BRONZE FOSFOROSO	626416-3
<b>OBSOLETE</b>	6,5	ESTANHADO	BRONZE FOSFOROSO	626030-4
<b>OBSOLETE</b>	6,5	----/----	BRONZE FOSFOROSO	626030-3
	8,3	ESTANHADO	LATÃO	626416-2
	8,3	----/----	LATÃO	626416-1
	6,5	ESTANHADO	LATÃO	626030-2
	6,5	----/----	LATÃO	626030-1
	∅A +0,2	FINISH	MATERIAL △	PART NO



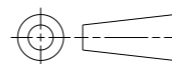
PERSPECTIVE VIEWS  
SCALE 1:1

WIRE RANGE 0,5-1,5 mm <sup>2</sup>	
INSUL / RANGE (∅mm) 1,78 - 3,05	
SURF AREA --- / ---	
APPL. FEED 27,69	TRIMMING BURR --- / ---
WDW 7,36	IDW 9,65
REELING 107--	
SPLICE 115--	

THIS DRAWING IS A CONTROLLED DOCUMENT.

DIMENSIONS:

mm



TOLERANCES UNLESS OTHERWISE SPECIFIED:

0 PLC	±-
1 PLC	±0,3
2 PLC	±-
3 PLC	±-
4 PLC	±-
ANGLES	±°
FINISH	SEE TABLE

MATERIAL SEE TABLE

SEE TABLE

DWN	05JUN2012	M. A. SARTORI
CHK	05JUN2012	J. R. GOLDSCHMIDT
APVD	05JUN2012	G. BONUCCI
PRODUCT SPEC	-	
APPLICATION SPEC	-	
WEIGHT	-	



NAME RING TONGUE			
SIZE A3	CAGE CODE 00779	DRAWING NO C-626030	RESTRICTED TO -
CUSTOMER DRAWING / DESENHO DE CLIENTE		SCALE 4:1	SHEET 1 OF 1 REV D5

## X-ON Electronics

Largest Supplier of Electrical and Electronic Components

*Click to view similar products for [Terminals](#) category:*

*Click to view products by [TE Connectivity](#) manufacturer:*

Other Similar products are found below :

[00-054007-01074-6](#) [00-054007-70206-1](#) [00-054007-70210-8](#) [00-054007-70217-7](#) [00-054007-70226-9](#) [00-054007-70228-3](#) [00-054007-70248-1](#) [00-054007-70256-6](#) [00-054007-70301-3](#) [00-054007-70316-7](#) [0-0320562-0](#) [00-054007-49560-4](#) [00-054007-70209-2](#) [00-054007-70225-2](#) [00-054007-70227-6](#) [00-054007-70231-3](#) [00-054007-70241-2](#) [00-054007-70242-9](#) [00-054007-70244-3](#) [00-054007-70246-7](#) [00-054007-70263-4](#) [00-054007-70288-7](#) [00-054007-70290-0](#) [00-054007-70300-6](#) [00-054007-70304-4](#) [01-2065-1-0216](#) [01-2900-1-04412](#) [00581P0075](#) [600TS-10](#) [60205-1](#) [604200-1](#) [605601-1](#) [60598-1-CUT-TAPE](#) [61314-6-C](#) [61810-3](#) [61-S](#) [61-SN](#) [626-0194](#) [62-NBM-A](#) [62-SN](#) [62-SP](#) [63-S](#) [640179-1](#) [M55155/059I03](#) [M55155/079C01](#) [M55155/099H02](#) [M55155/109H01](#) [M55155/109H02](#) [M55155/12XH05](#) [M55155/16XH02](#)