

THIS DRAWING IS UNPUBLISHED.

RELEASED FOR PUBLICATION

,19 .

© COPYRIGHT 19

BY AMP INCORPORATED. ALL RIGHTS RESERVED.

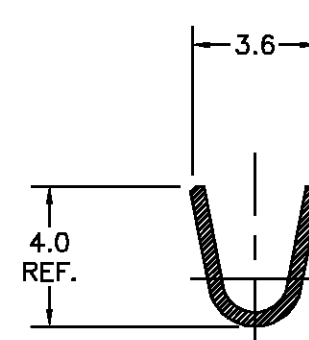
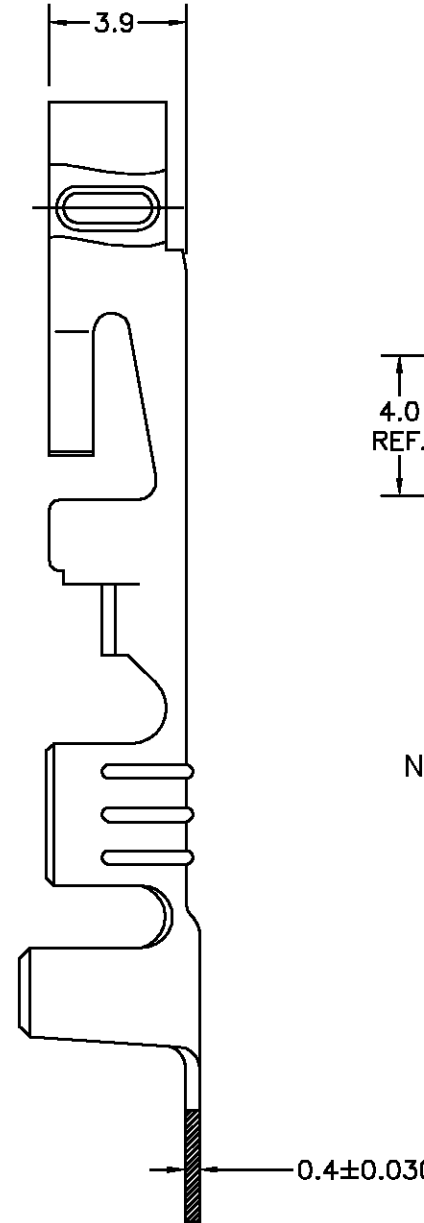
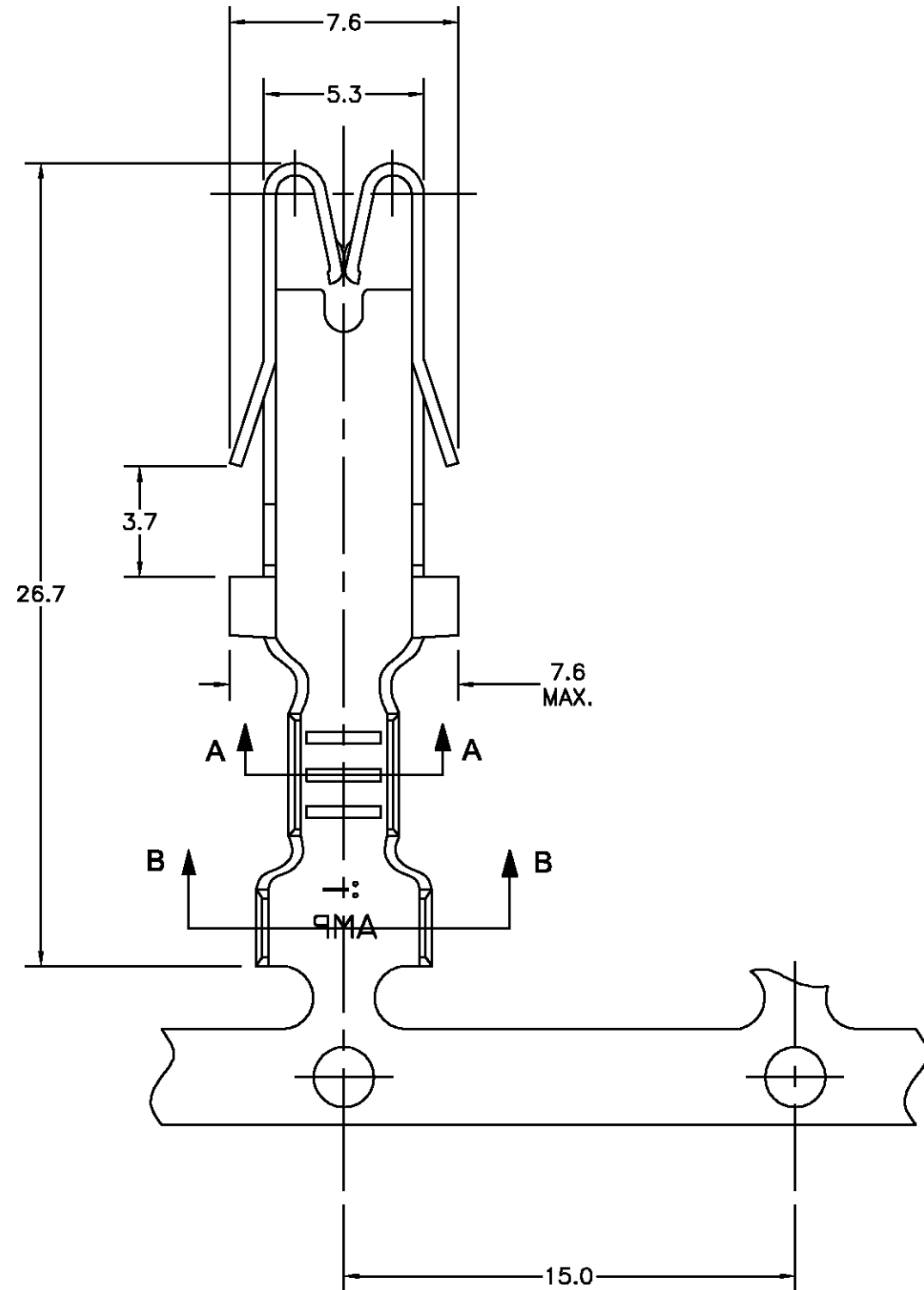
CAD
DO NOT REVISE
EXCEPT BY CAD

LOC
AP

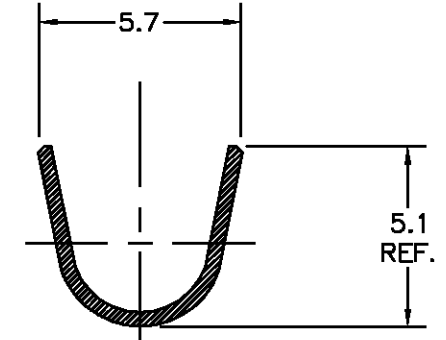
DIST
-

REVISIONS

P	LTR LT	DESCRIPTION DESCRIÇÃO	DATE DATA	DWN DES	APVD APR
F		REVISED BY ECLB0015/04	13APR04	AP	PLF
F1		REVISED PER ECO-09-026444	NOV09	KK	AEG



SECÇÃO A-A
SECTION A-A



SECÇÃO B-B
SECTION B-B

NOTE:

⚠ OBSOLETE PARTS: OBSOLETE CIS STREAMLINING
PER D.RENAUD/D.SINISI

WIRE RANGE 1,0 - 2,5 mm2	INSULATION RANGE ø 2,3- 3,5 mm	ESTANHADO / TIN PLATED ---/---	LATÃO / BRASS LATÃO / BRASS	626500-2 626500-1
THIS DRAWING IS A CONTROLLED DOCUMENT.		ACABAMENTO / FINISH	MATERIAL	PART NUMBER
DIMENSIONS: DIMENSÕES MM	TOLERANCES UNLESS OTHERWISE SPECIFIED: TOLERANCIA NCO ESPECIFICADAS	DWN/DES A.PERUSSI CHK/CH P.L.FARIA	AMP do BRASIL Ltda. São Paulo - Brasil	
	0 PLC/DEC ± - 1 PLC/DEC ± 0,3 2 PLC/DEC ± - 3 PLC/DEC ± - 4 PLC/DEC ± - ANGLES/ANGULARES ± 1°	APVD/APR L.W.PRADO	NAME DESIGNO FUSE CONTACT	
		PRODUCT SPEC -	SIZE A3	CAGE CODE 00779
MATERIAL	FINISH ACABAMENTO SEE TABLE	APPLICATION SPEC 114-37000	WEIGHT -	RESTRICTED TO -
CUSTOMER DRAWING/DESENHO DE CLIENTE			SCALE ESCALA 5:1	SHEET FOLHA 1 OF 1
			REV F1	

X-ON Electronics

Largest Supplier of Electrical and Electronic Components

Click to view similar products for [Automotive Connectors](#) category:

Click to view products by [TE Connectivity](#) manufacturer:

Other Similar products are found below :

[003-018-000](#) [600858](#) [60403001](#) [60993906-B](#) [60993913-B](#) [629515004020001](#) [M902-2131](#) [M902-2161](#) [M902-2344](#) [72.330.1035.1](#)
[73.353.4028.0](#) [F118010](#) [F119300-B](#) [F132210](#) [F132210-B](#) [F166900](#) [F180100](#) [F258300](#) [F258300-B](#) [F294300-B](#) [F339100](#) [F339700](#) [F358300-](#)
[B](#) [F374110](#) [F407400](#) [F412210](#) [F427600](#) [F444110](#) [F487000](#) [F495100-B](#) [F500900-B](#) [F509500B-B](#) [770444-1](#) [776880-1](#) [827153-1](#) [881735-1](#)
[8N1515-32-24P](#) [9-1326727-8](#) [9-1326729-8](#) [925467-1](#) [925474-1](#) [928905-1](#) [936398-2](#) [964562-1](#) [964562-4](#) [964731-2](#) [965051-1](#) [968782-1](#)
[GT17SA-8DS-HU](#) [GT17VS-10DP-5.2CF](#)