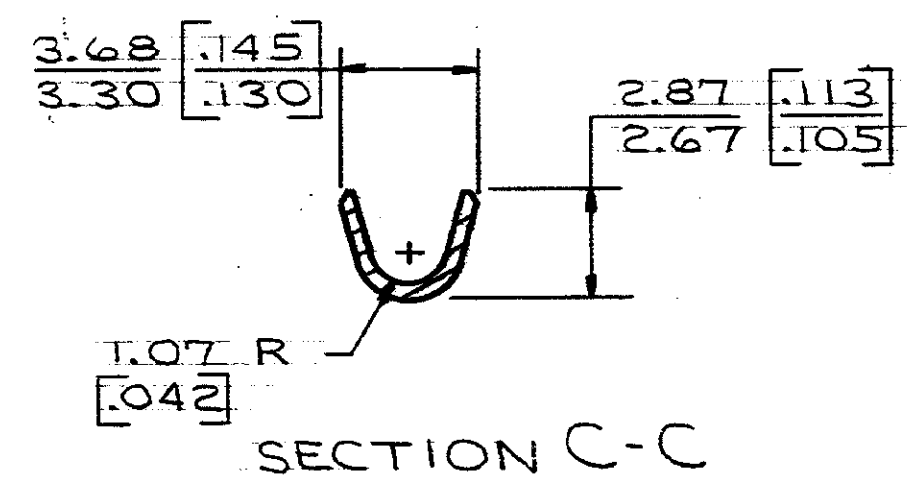
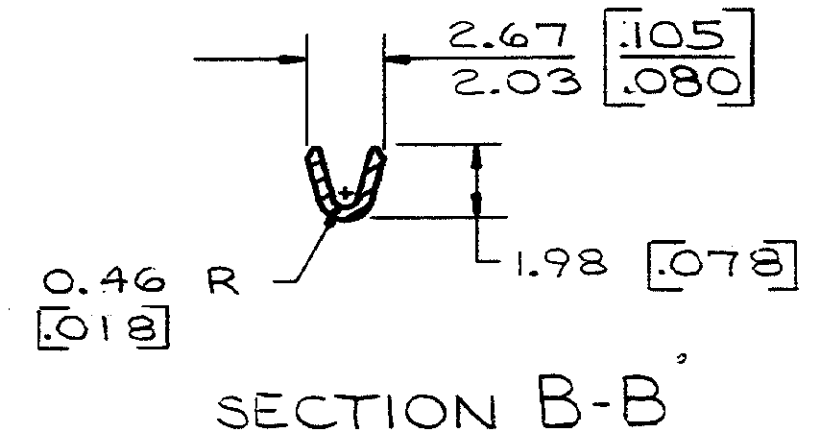
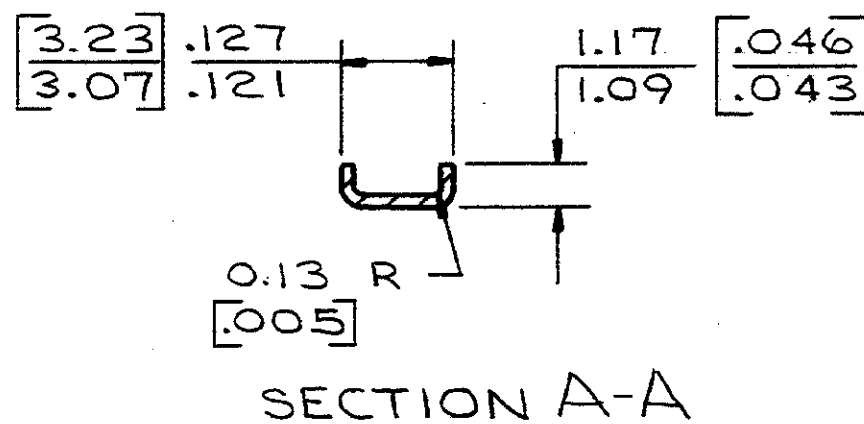
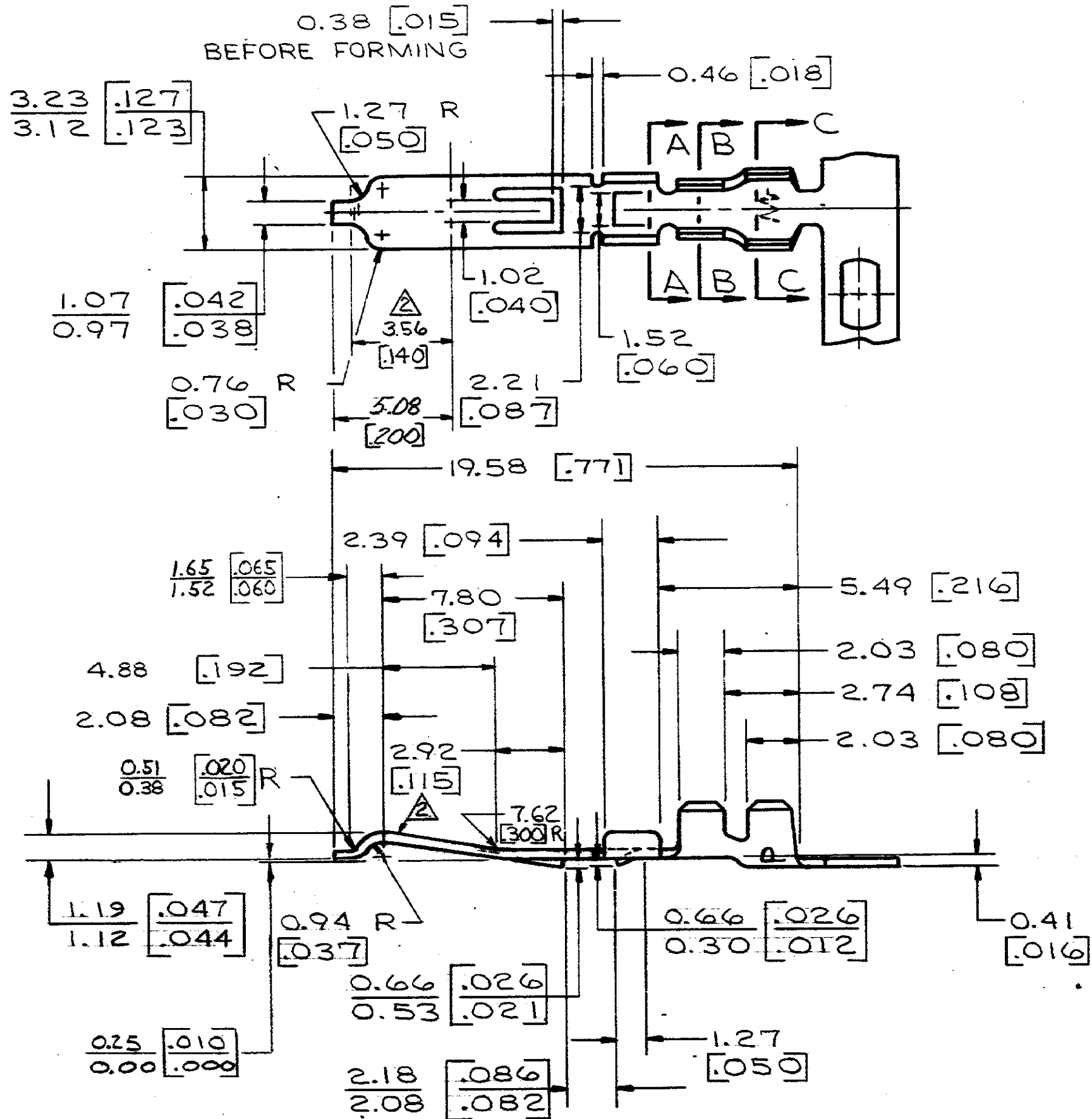


© COPYRIGHT 1977 BY AMP INCORPORATED, HARRISBURG, PA. ALL INTERNATIONAL RIGHTS RESERVED. AMP INCORPORATED PRODUCTS COVERED BY U. S. AND FOREIGN PATENTS AND/OR PATENT PENDING.

UNPUBLISHED COPY
REPRODUCED AND
WITHOUT WRITTEN PERMISSION
OF AMP INCORPORATED.

CUSTOMER RESTRICTED
CONTACT PRODUCT ENGINEERING
BEFORE USING THIS PRINT

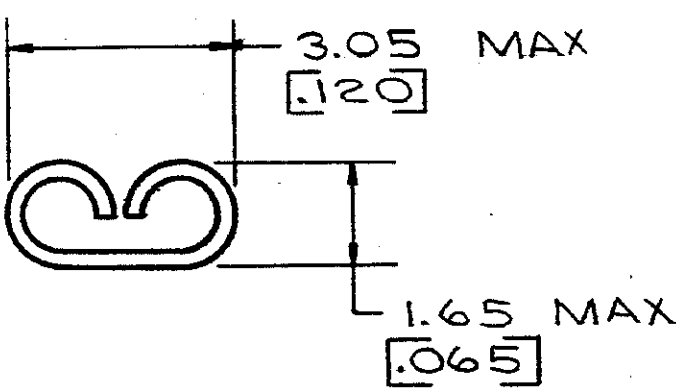
REVISIONS					
REV	ZONE	LTR	DESCRIPTION	DATE	APPROVED
A			REVISED RELEASED A-3951	5/10/78	W.S.D.
B			REVISED PER A-3974	6-19-78	SS/PS
C			REVISED PER A-4018	8-14-78	SS/PS
D			ADDED AMP STAMP A47	10-20-78	PS
E			REVISED A-4138	1/18/79	GT/PS
F			ADDED -2 PER TTI 8/62	5/19/81	SS/GY
G			REVISED AF-0706	11-30-84	RLT/GY
H			005/000 TO .010/000 AF-1063	4-16-85	RLT
J			OBS. REV PER AF 4098	4/17/87	GT
K			REACTIVATED - 2 PER AF-5216	3/19/88	MSF/PS



1. DIMENSIONS IN BRACKETS ARE IN INCHES.
 Δ 0.0013 [000050] GOLD ON STRIPE OVER 0.00076 [000030] NICKEL ON ENTIRE TERMINAL

C-600730

METRIC



INSULATION CRIMP

SEE NOTE Δ	1.27-1.80 [050-071]	0.2-0.6 [24-29]	62730-2
TIN	1.27-1.80 [050-071]	0.2-0.6 [24-29]	62730-1
FINISH	INSULATION RANGE	WIRE RANGE	PART NO

UNLESS OTHERWISE SPECIFIED DIMENSIONS ARE IN INCHES. TOLERANCES ON: DECIMALS ±0.13 [0005] ANGLES ±	CONTRACT NO	AMP INCORPORATED Harrisburg, Pa.	
	DR W.S.DAVIS 12-1-77	NAME	
MATERIAL 0.30 [012] THICK PHOS. BRONZE	CHK G YETTER 12-1-77	CONTACT CONNECTOR	
FINISH SEE TABLE	APPD P. Schuster 12-5-77	SIZE C	CODE IDENT NO 00779
	DSGN APPD	DRAWING NO	62730
	OTHER APPD	SCALE 5-1	SHEET

X-ON Electronics

Largest Supplier of Electrical and Electronic Components

Click to view similar products for [Headers & Wire Housings](#) category:

Click to view products by [TE Connectivity](#) manufacturer:

Other Similar products are found below :

[95000-104TRLF](#) [10135584-644402LF](#) [DF62W-EP2022PCA](#) [95000-106TRLF](#) [DF62W-2022SCA](#) [DF62W-EP2022PC](#) [2203348](#) [DF62W-2022SC](#) [1084018](#) [1029039](#) [1084017](#) [802-10-012-10-002000](#) [1112640](#) [1112639](#) [000-34000](#) [0009482033](#) [0009507031](#) [57102-S06-03LF](#) [57202-S52-04LF](#) [PCN6-15S-2.5E](#) [0039019024](#) [58102-G61-06LF](#) [582553-1](#) [0009485154](#) [0009508121](#) [0022285053](#) [0050291907](#) [018731A](#) [LY20-4P-DT1-P1E-BR](#) [02.125.8002.8](#) [60101931](#) [60598-1 \(Cut Strip\)](#) [M1625-3R/100](#) [61062-3](#) [61082-181009](#) [636-1427](#) [638009-1](#) [641938-9](#) [641991-4](#) [644168-1](#) [647662-1](#) [65039-019ELF](#) [65817-002LF](#) [65817-015LF](#) [65863-015LF](#) [66207-023LF](#) [67016-026LF](#) [67046-001LF](#) [67095-007LF](#) [67230-005LF](#)