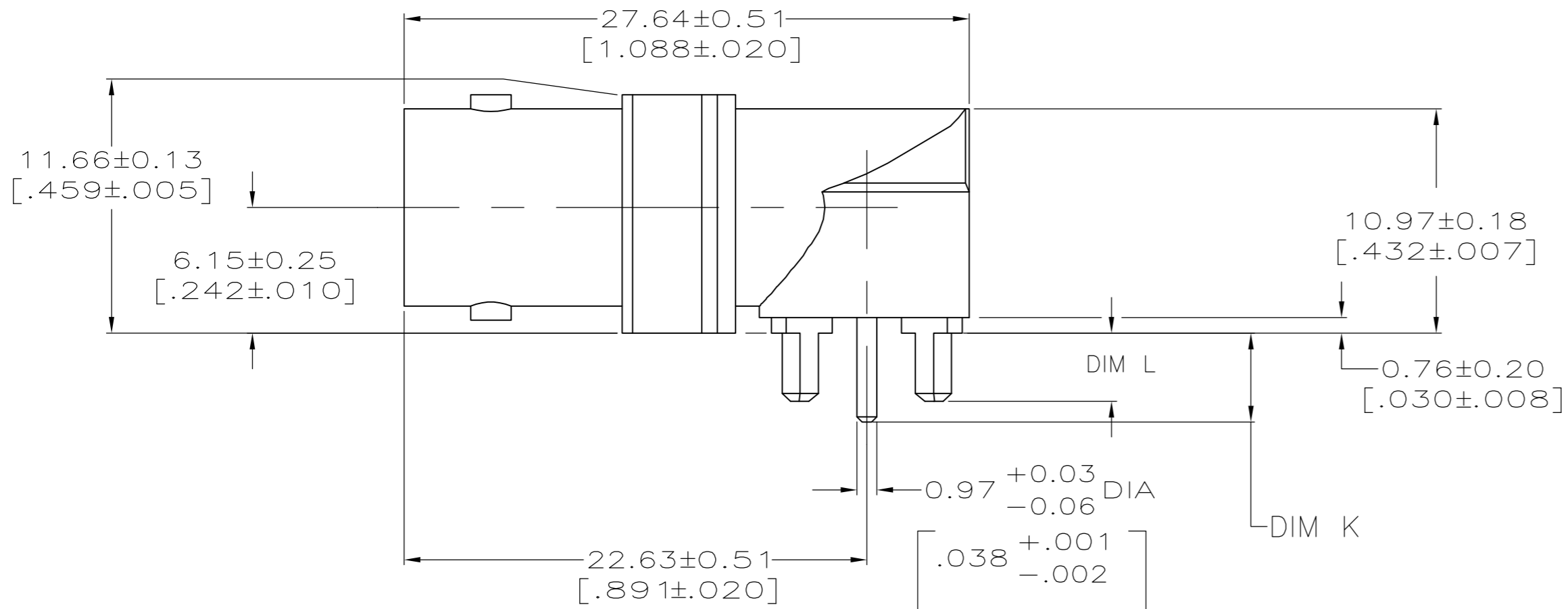
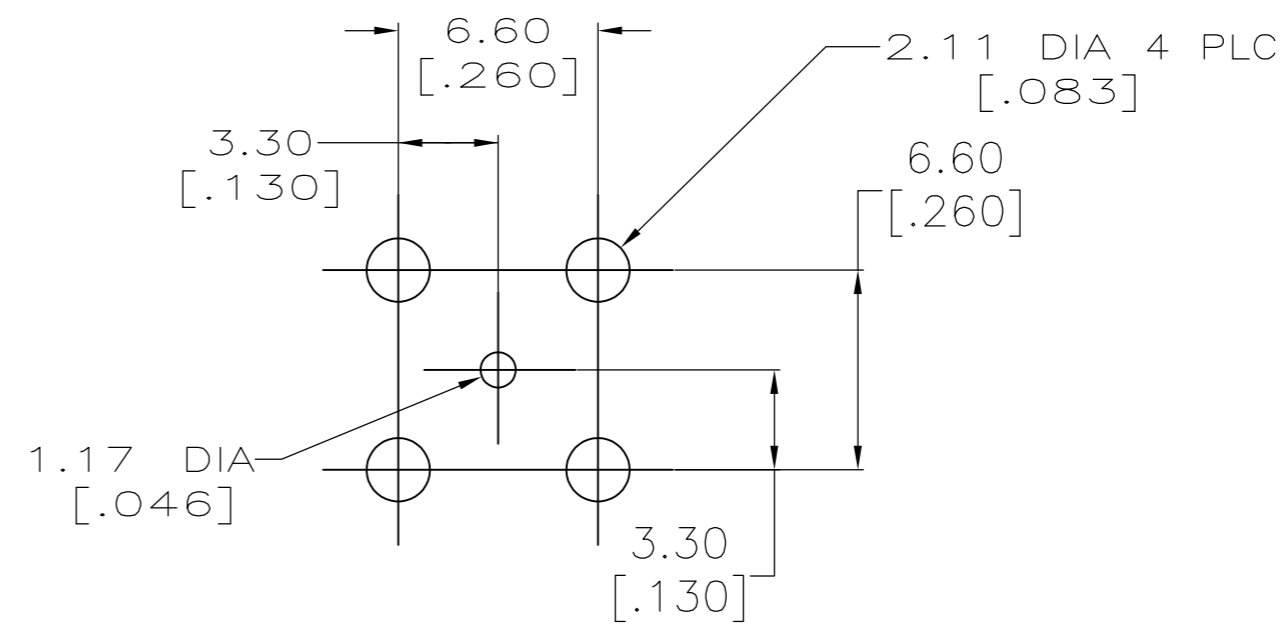
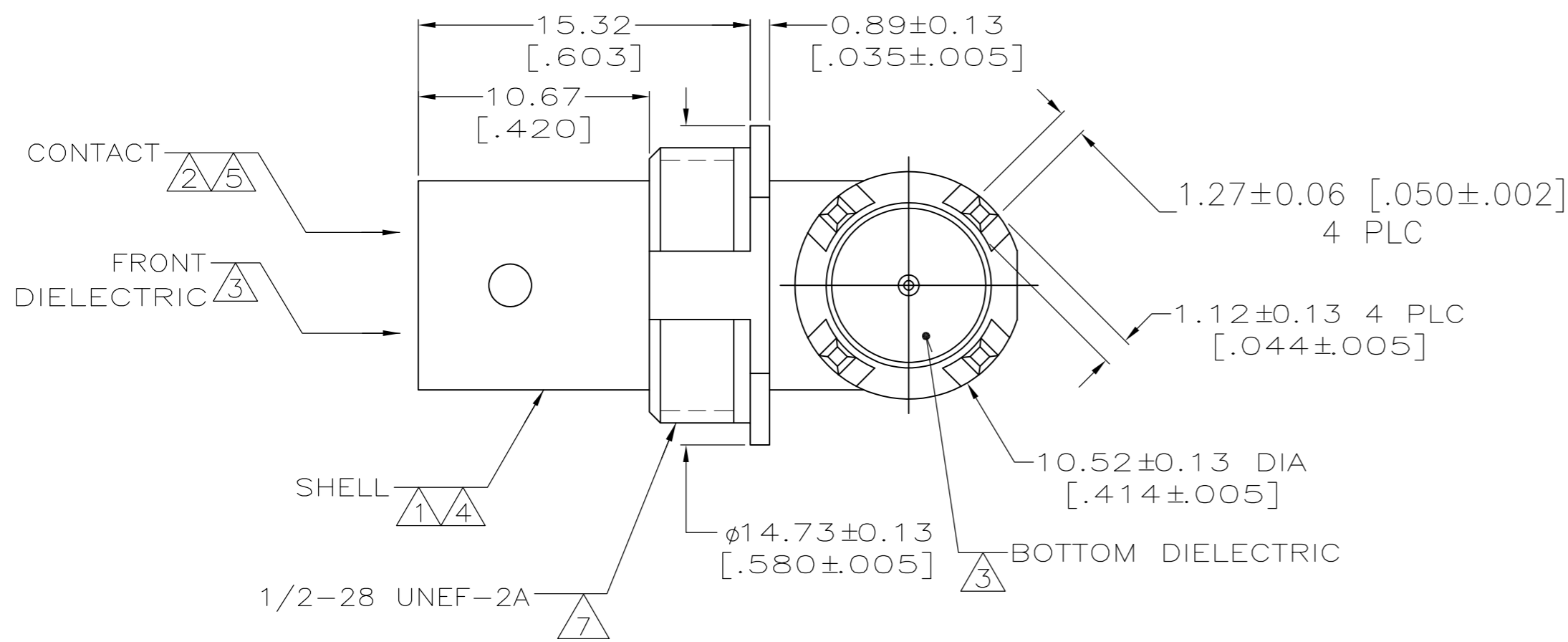


THIS DRAWING IS UNPUBLISHED. RELEASED FOR PUBLICATION
 © COPYRIGHT BY TYCO ELECTRONICS CORPORATION. ALL RIGHTS RESERVED.

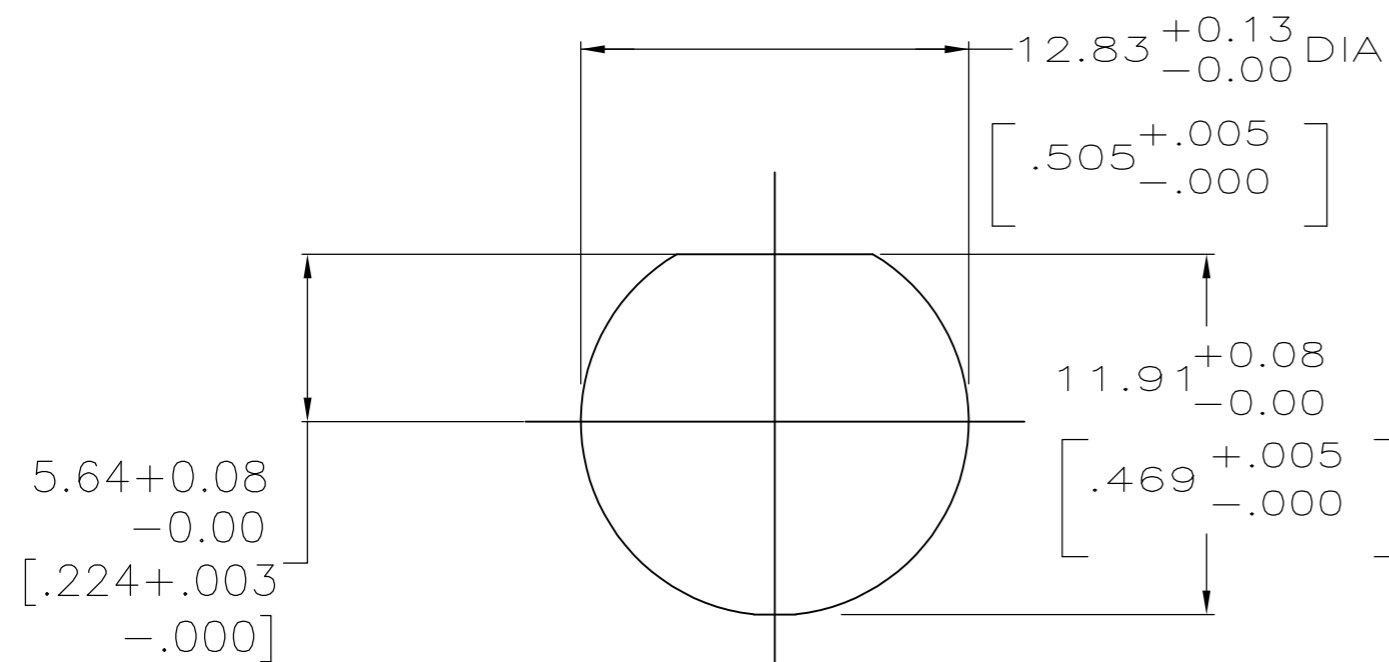
LOC	DIST	REVISIONS			
P	LTR	DESCRIPTION	DATE	DWN	APVD
AJ	00	B3	REV PER ECO-09-005796	06AUG2009	KF FB



- 1 ZINC PER QQ-Z-363.
- 2 BERYLLIUM COPPER PER QQ-C-530.
- 3 PTFE PER MIL-P-19468.
- 4 TIN PLATE PER ASTM B 545, 3.81 μm [.000150] MIN THICK.
- 5 GOLD PLATE PER MIL-G-45204, 0.76 μm [.000030] MINIMUM THICK.
- 6 INTERFACE PER MIL-C-39012.
- 7 MODIFIED MAJOR DIAMETER TO 12.29 [.484].



PCB CONFIGURATION



RECOMMENDED PANEL CUTOUT

	4.34±0.38 [.171±.015]	4.34±0.38 [.171±.015]	6274425-4
OBSOLETE	2.44+0.00/0.23 [.096+0.000-.009]	2.44+0.00/0.23 [.096+0.000-.009]	6274425-3
	3.33±0.20 [.131±.008]	4.34±0.38 [.171±.015]	6274425-2
	DIM L	DIM K	PART NUMBER

THIS DRAWING IS A CONTROLLED DOCUMENT.		DWN L. VARELA - DOCK5 02FEB2005	Tyco Electronics Corporation Harrisburg, PA 17105-3608	
DIMENSIONS: mm [INCHES]		CHK J. HAVENER 02FEB2005	NAME JACK, RIGHT ANGLE, 75 OHM, PCB, BNC	
TOLERANCES UNLESS OTHERWISE SPECIFIED:		APVD J. LIPPERT 02FEB2005	SIZE A2	
0 PLC ± -	1 PLC ± -	PRODUCT SPEC -	CAGE CODE 00779	DRAWING NO C-6274425
2 PLC ± 0.08 [.003]	3 PLC ± -	APPLICATION SPEC -	SCALE 4:1	SHEET 1 OF 1
4 PLC ± -	ANGLES ± -	WEIGHT -	REV B3	
MATERIAL SEE NOTES 1 - 4	FINISH SEE NOTES 5, 6	CUSTOMER DRAWING		

X-ON Electronics

Largest Supplier of Electrical and Electronic Components

Click to view similar products for [RF Connectors / Coaxial Connectors](#) category:

Click to view products by [TE Connectivity](#) manufacturer:

Other Similar products are found below :

[8915-1511-000](#) [89674-0827](#) [6001-7071-019](#) [6002-7051-003](#) [6002-7551-202](#) [6059674-1](#) [619550-1](#) [630059-000](#) [M39030/3-01N](#) [6500-7071-046](#) [6769](#) [CX050L2AQ](#) [7002-1541-010](#) [7002-1542-011](#) [7004-1512-000](#) [7009-1511-004](#) [7010-1511-000](#) [7029-1511-060](#) [7101-1541-010](#) [7101-1571-002](#) [7105-1521-002](#) [7145-1521-002](#) [7203-1571-003](#) [7209-1511-011](#) [7210-1511-015](#) [7210-1511-019](#) [73137-5015](#) [73216-2241](#) [73404-2300](#) [7405-1521-005](#) [7405-1521-802](#) [8527](#) [8547](#) [FS11V](#) [877931](#) [9049-9513-000](#) [9074-9513-000](#) [9101-9573-002](#) [910A205F](#) [9130-9573-002](#) [PL11SC-026](#) [PL375-33](#) [PL40-5](#) [PL74C-221](#) [PL75MC-217](#) [PL803-7](#) [1200690078](#) [1-201144-1](#) [R107003010W](#) [R110A172100](#)