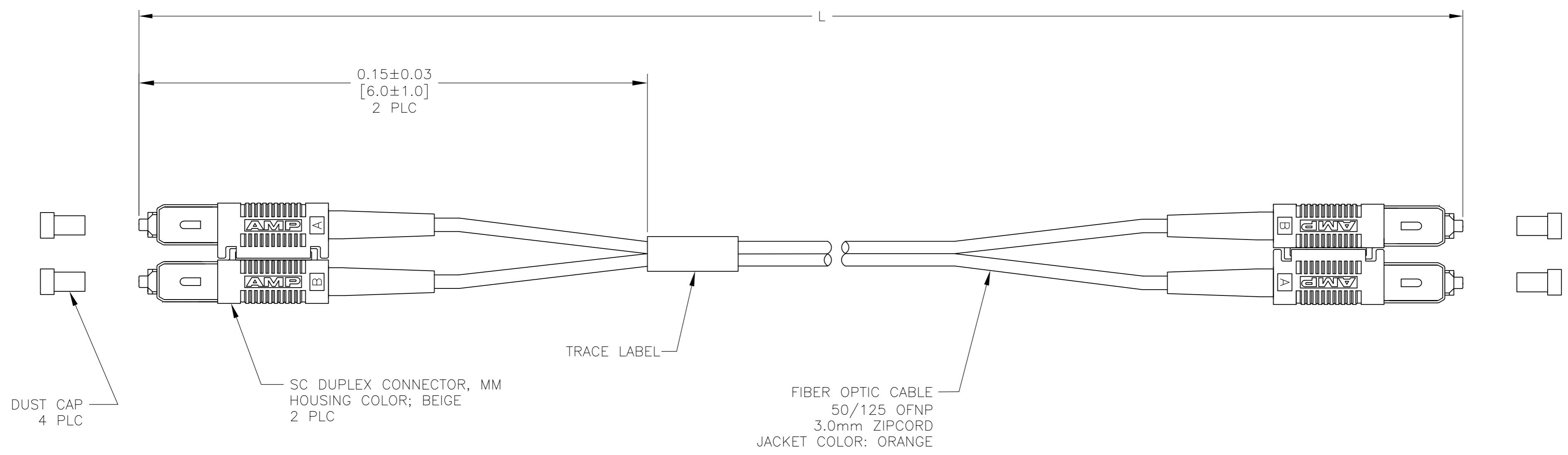


THIS DRAWING IS UNPUBLISHED. RELEASED FOR PUBLICATION  
 © COPYRIGHT BY TYCO ELECTRONICS CORPORATION. ALL RIGHTS RESERVED.

LOC	DIST	REVISIONS			
P	LTR	DESCRIPTION	DATE	DWN	APVD
CE	16	A1	REVISED-ADDED -5	12JUN07	JWD JD

- MAXIMUM CONNECTOR INSERTION LOSS IS 0.5dB PLUS CABLE ATTENUATION OF 1.5dB/km AT 1300nm (SEE TABLE)
- GEOMETRY REQUIREMENTS:  
RADIUS OF CURVATURE: 10-30mm
- PRODUCT AND PROCESSING MUST MEET REQUIREMENTS OF TYCO ELECTRONICS STANDARD 230-702



0.70	100.00±1.00 [3937.0±39.4]	8-6278016-9
0.62	60.00±0.60 [2362.2±23.6]	6-6278016-0
0.56	30.00±0.30 [1181.1±11.8]	3-6278016-0
0.54	20.00±0.30 [787.4±11.8]	2-6278016-0
0.52	10.00±0.15 [393.7±5.9]	1-6278016-0
0.51	5.00±0.08 [196.9±3.0]	6278016-5
0.50	3.00±0.05 [118.1±2.0]	6278016-3
0.50	1.00±0.05 [39.4±2.0]	6278016-1
MAX IL (dB)	L METERS [INCHES]	PART NUMBER

THIS DRAWING IS A CONTROLLED DOCUMENT.		DWN J. W. DAVIS 11OCT05	Tyco Electronics Corporation Harrisburg, PA 17105-3608	
DIMENSIONS: METERS [INCHES]		CHK J. DUNCAN 11OCT05	NAME	
TOLERANCES UNLESS OTHERWISE SPECIFIED:		APVD F. McCORKEL 11OCT05	CABLE ASSEMBLY, FIBER OPTIC, 50/125um, 3.0mm OFNP ZIPCORD SC DUPLEX TO SC DUPLEX, RoHS, Fibre Channel	
0 PLC ± -		PRODUCT SPEC	SIZE	CAGE CODE
1 PLC ± -		APPLICATION SPEC	A2	00779
2 PLC ± -		WEIGHT	DRAWING NO 6278016	
3 PLC ± -		MATERIAL	RESTRICTED TO	
4 PLC ± -		FINISH	SCALE NTS SHEET 1 of 1 REV A1	
ANGLES ± -		CUSTOMER DRAWING		

## X-ON Electronics

Largest Supplier of Electrical and Electronic Components

*Click to view similar products for [Fiber Optic Cable Assemblies](#) category:*

*Click to view products by [TE Connectivity](#) manufacturer:*

Other Similar products are found below :

[7-21002-9](#) [760-1518](#) [FA04390-50-M-72-LC-N](#) [MLB 501 V RED](#) [MLB 501 V YELLOW](#) [8-21000-7](#) [FXE3-10BM15](#) [FXE3-10FM5](#) [FZB3-NM1](#) [1-3636-600-5208](#) [ICD040GVP163D-07](#) [2901797](#) [1-6693182-0](#) [1754898-1](#) [F512D5-5F23Y](#) [F912B10-NM2](#) [FAP12WFDBDBDLCZ](#) [21055-6](#) [FXBSCSCE2LM002](#) [FXE3-10AM10](#) [FXE3-10AM20](#) [FXE3-10BM7](#) [FXE3-10FM15](#) [FXE3-10FM3](#) [FXE3-10FM4](#) [FXE3-10FM7](#) [FXE3-10GM3](#) [FZE10-10M6](#) [FZOPE10-10M5](#) [3000005](#) [3-21053-2](#) [MLB 200/1 V BLACK](#) [MLB 2001 V YELLOW](#) [MLB 501 V BLACK](#) [5492011-6](#) [106284-7000](#) [5492011-5](#) [5492011-8](#) [5492011-9](#) [CF-901201-007](#) [7-21000-4](#) [8-21007-5](#) [8-21084-0](#) [3-5106081-0](#) [106386-4447](#) [2-2064140-6](#) [F92ELLNSNSNM003](#) [2-2064140-3](#) [6-2064140-3](#) [2-2064140-2](#)