

4

3

2

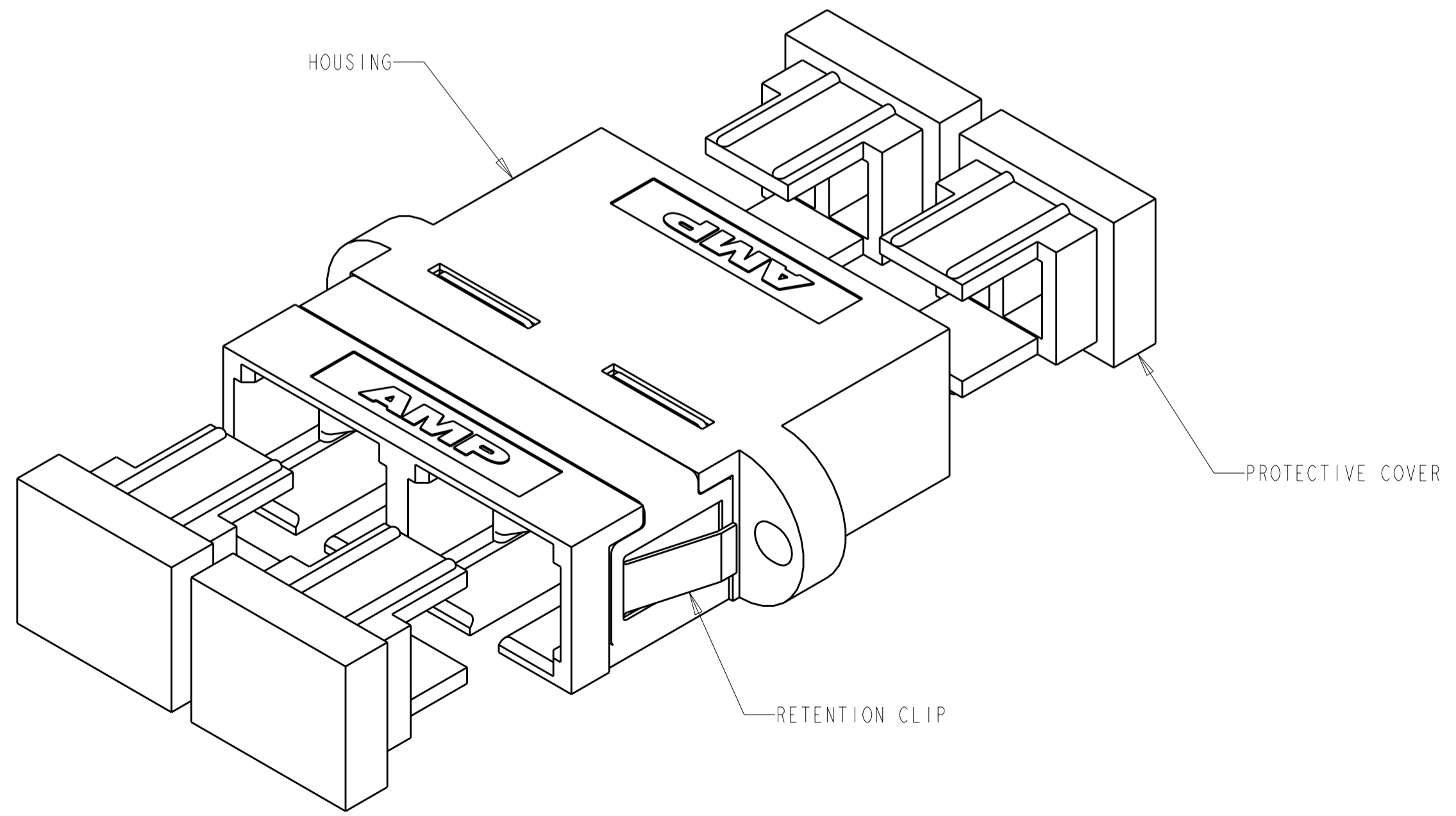
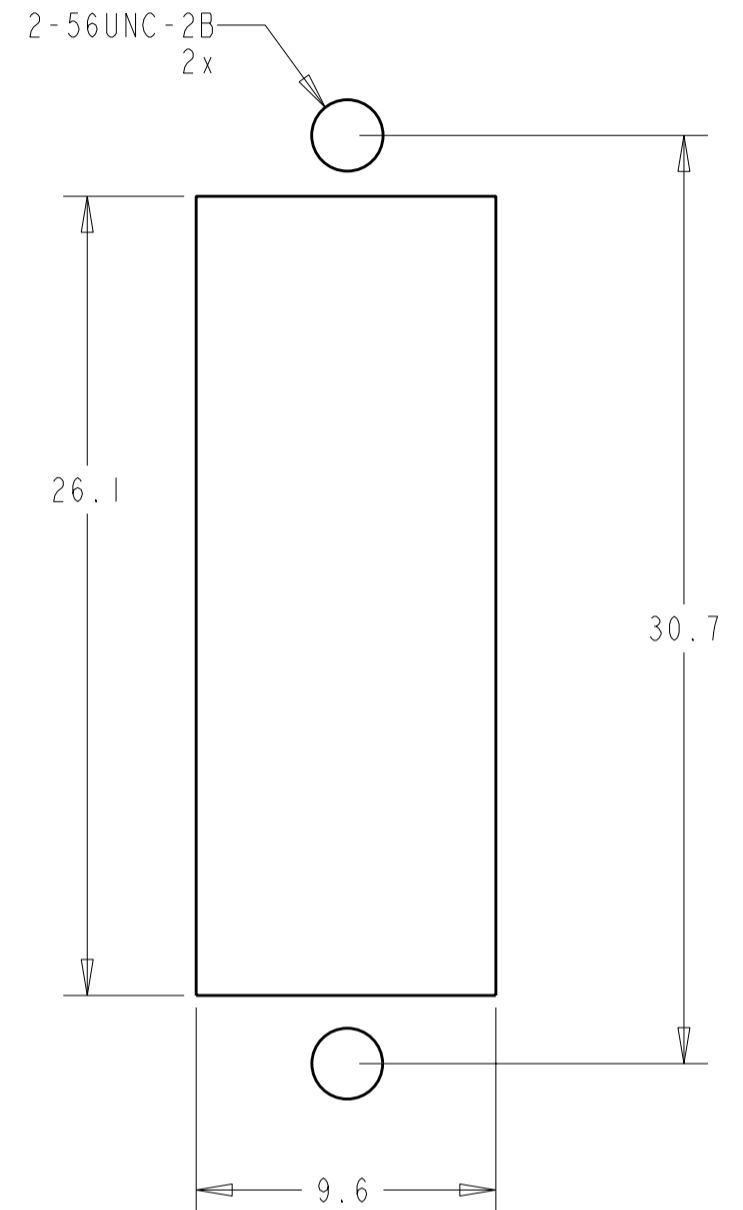
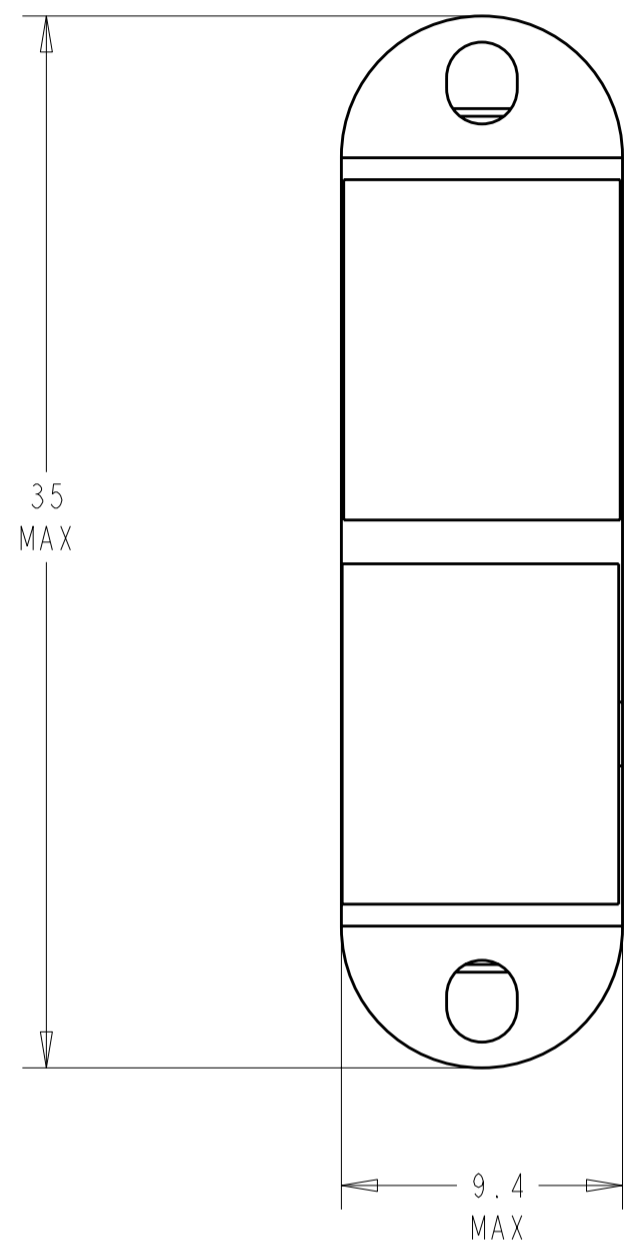
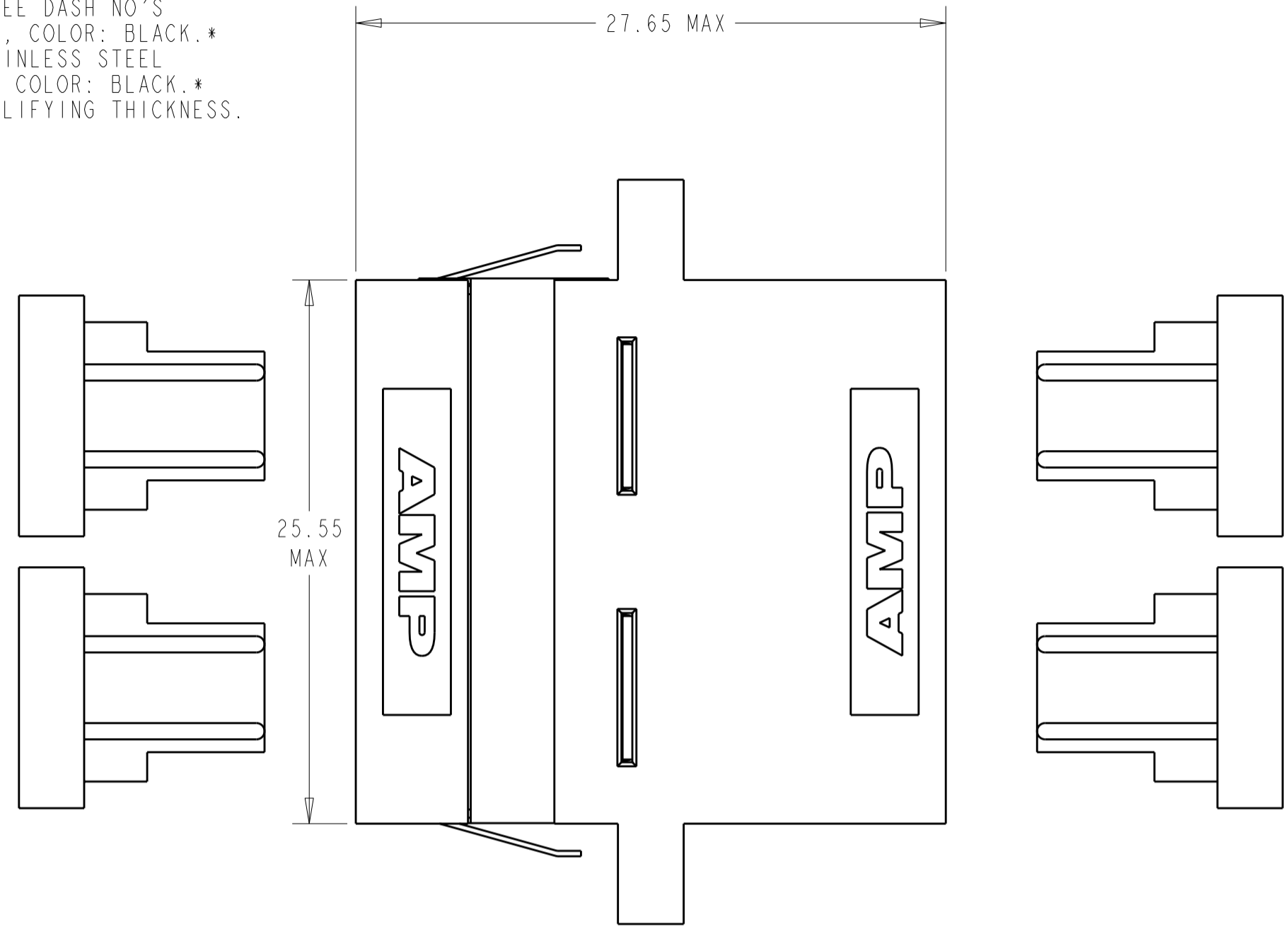
1

THIS DRAWING IS UNPUBLISHED. RELEASED FOR PUBLICATION .19
 © COPYRIGHT 19 BY AMP INCORPORATED. ALL RIGHTS RESERVED.

LOC	DIST	REVISIONS			
F	LTR	DESCRIPTION	DATE	DWN	APVD
CE	00	A	RELEASE TO ACTIVE	07JUN2006	BB SM

1 MATERIAL:
 HOUSING: ZINC DIECAST, NICKEL PLATED
 ALIGNMENT SLEEVE: SEE DASH NO'S
 PROTECTIVE CAP: TPE, COLOR: BLACK.*
 RETENTION CLIP: STAINLESS STEEL
 RETAINER: PEI-GF30, COLOR: BLACK.*
 *UL94 V-0 RATED AT QUALIFYING THICKNESS.

2 BULK PACKAGE.
 3 BLUE DUST COVERS



3	2	CERAMIC	6278049-5
2	2	CERAMIC	6278049-4
		CERAMIC	6278049-3
		METAL	6278049-1
		ALIGNMENT SLEEVE	PART NO

DIMENSIONS:		TOLERANCES UNLESS OTHERWISE SPECIFIED:		DWN		AMP Incorporated	
mm		0 PLC	±	B. BRIGGS	16MAY2005	Harrisburg, PA 17105-3608	
		1 PLC	±0.1	CHK	S. MILLER	NAME	
		2 PLC	±0.05	APVD	S. BUCHTER	ASSEMBLY, DUPLEX RECEPTACLE. SC/SC	
		3 PLC	±	PRODUCT SPEC		DIECAST HOUSING	
		4 PLC	±	APPLICATION SPEC		SIZE	CAGE CODE
		ANGLES	±	WEIGHT		A2	00779
		FINISH	-	CUSTOMER DRAWING		DRAWING NO	6278049
						RESTRICTED TO	
						SCALE	4:1
						SHEET	1 OF 1
						REV	A

X-ON Electronics

Largest Supplier of Electrical and Electronic Components

Click to view similar products for [Fibre Optic Connectors](#) category:

Click to view products by [TE Connectivity](#) manufacturer:

Other Similar products are found below :

[0004700001](#) [6100-R](#) [6313](#) [F709034706](#) [F709722200](#) [F709730000](#) [F718183204](#) [F727403500](#) [F727752800](#) [8119](#) [9440F20-27S-190](#) [944-120-6001](#) [9441F10SL-3S](#) [9444W28-21S](#) [9444W36-10S](#) [9446F10SL-4S](#) [9446W20-16S](#) [953-101-5310-P](#) [954-101-57202B](#) [A0270169](#) [12-9122](#) [12-5702](#) [AX101713](#) [AX102420](#) [AX103923](#) [AX104024](#) [AX104193](#) [AX104230](#) [AX104562](#) [AX105203-B25](#) [AX105205-S1](#) [EHSC2M](#) [181-011-126](#) [181-011-S](#) [181-057-126](#) [HRFC-R2\(40\)](#) [NKSOPBUY](#) [20500002116](#) [2064996-1](#) [20800001065](#) [2170](#) [9132](#) [2612](#) [2620](#) [9291](#) [9440F16-10S](#) [9440F20-18S](#) [9446F16-10S-190](#) [953-106-50231](#) [953-120-5003](#)