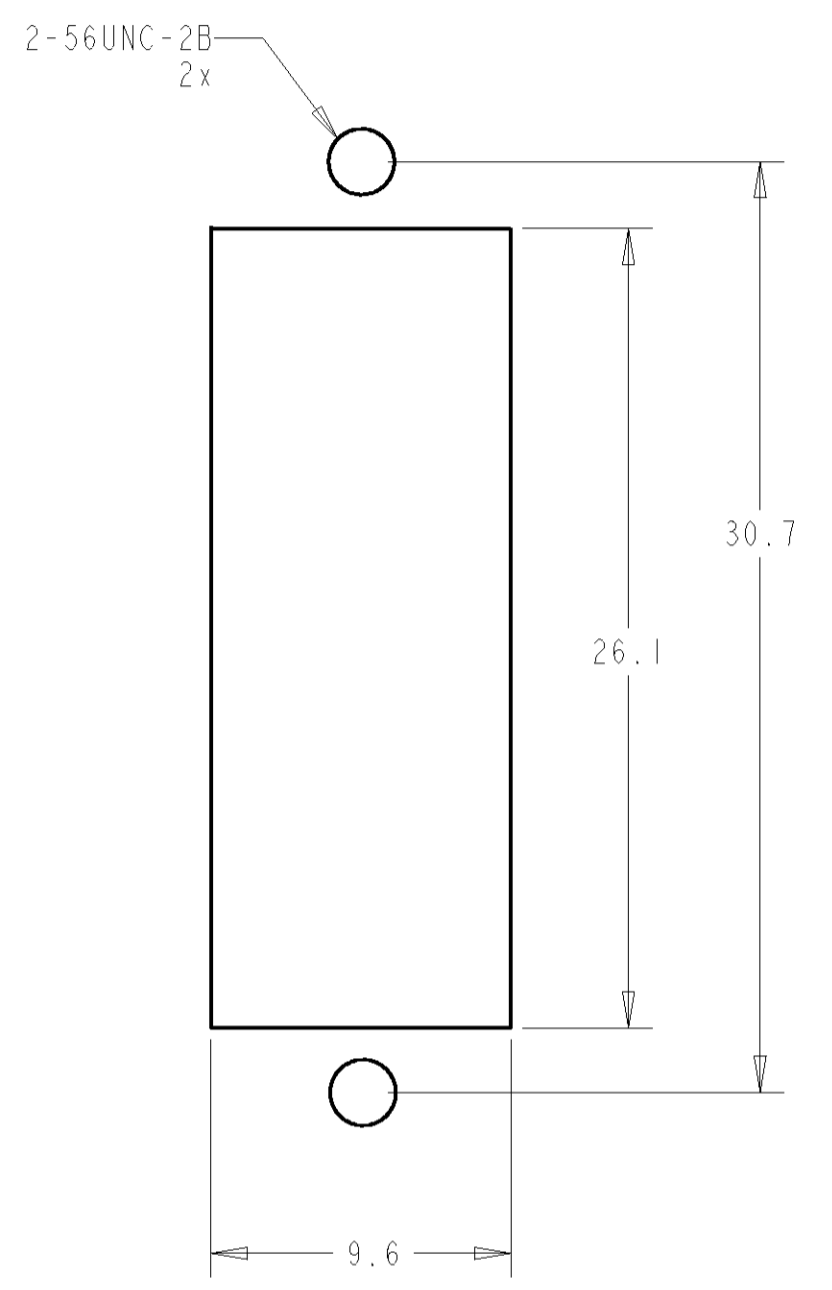
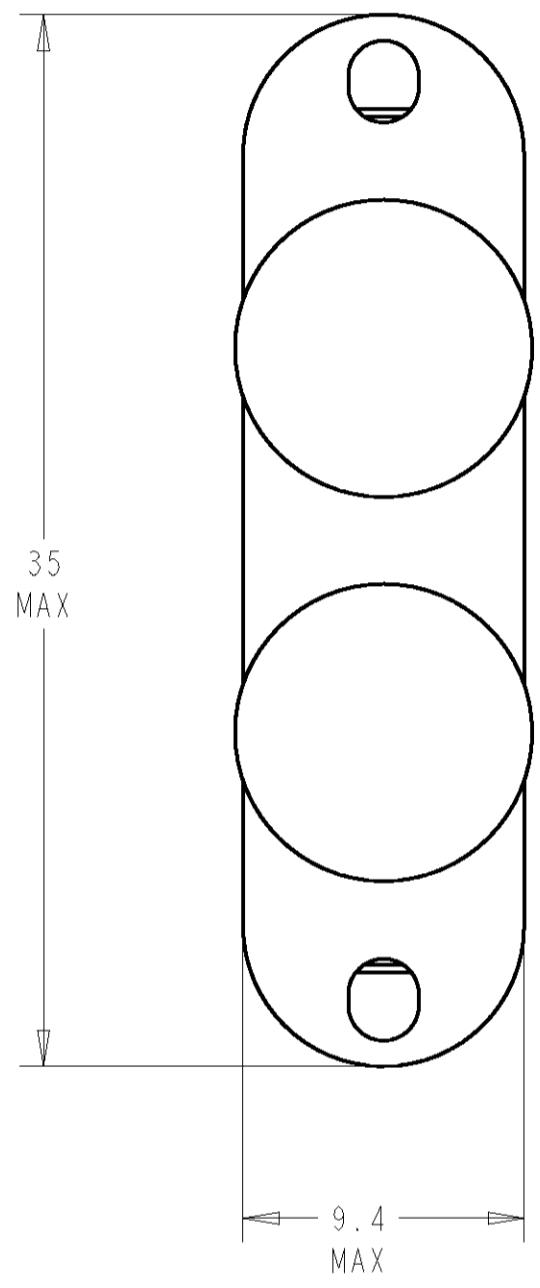
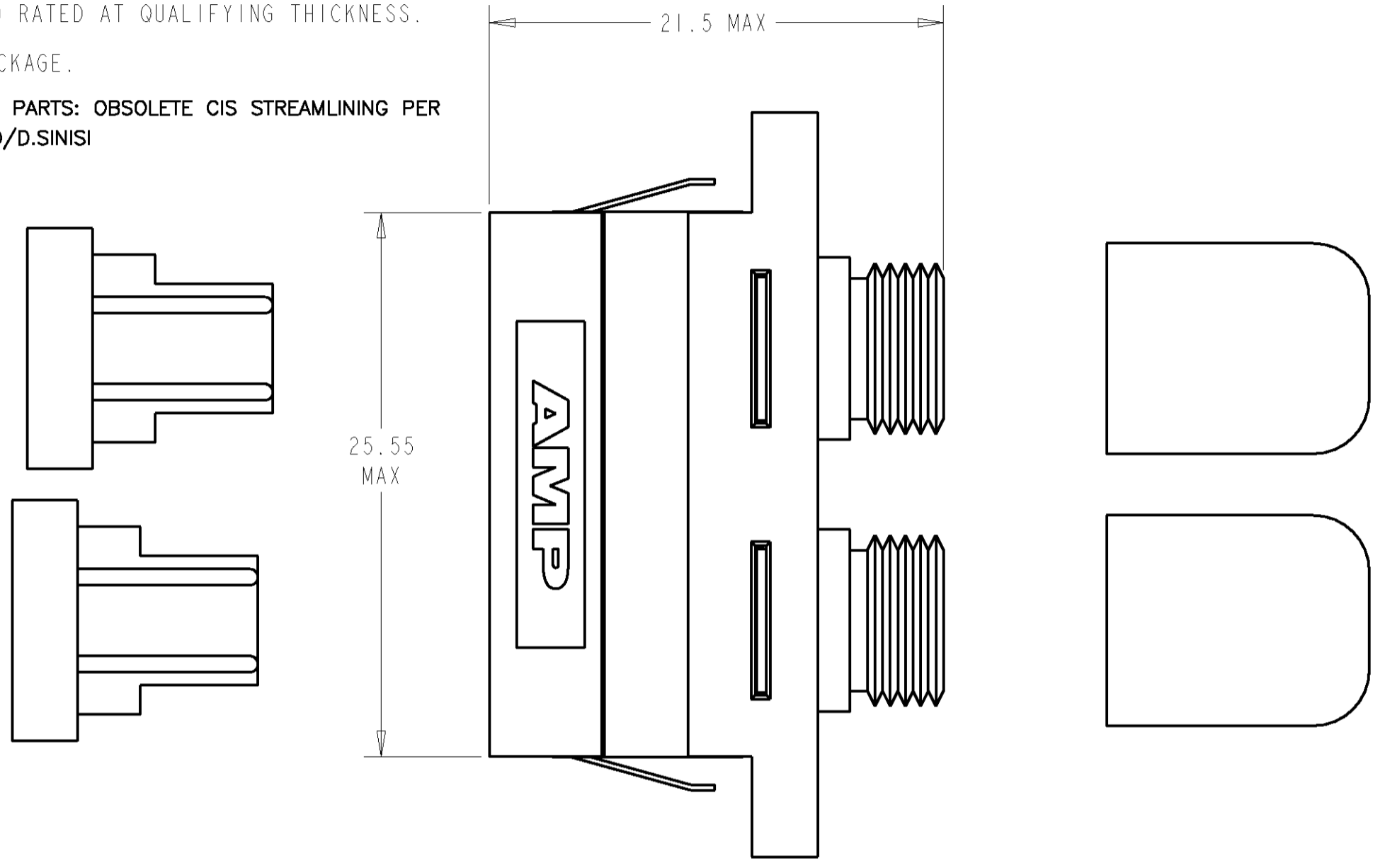


THIS DRAWING IS UNPUBLISHED. RELEASED FOR PUBLICATION .19
 © COPYRIGHT 19 BY AMP INCORPORATED. ALL RIGHTS RESERVED.

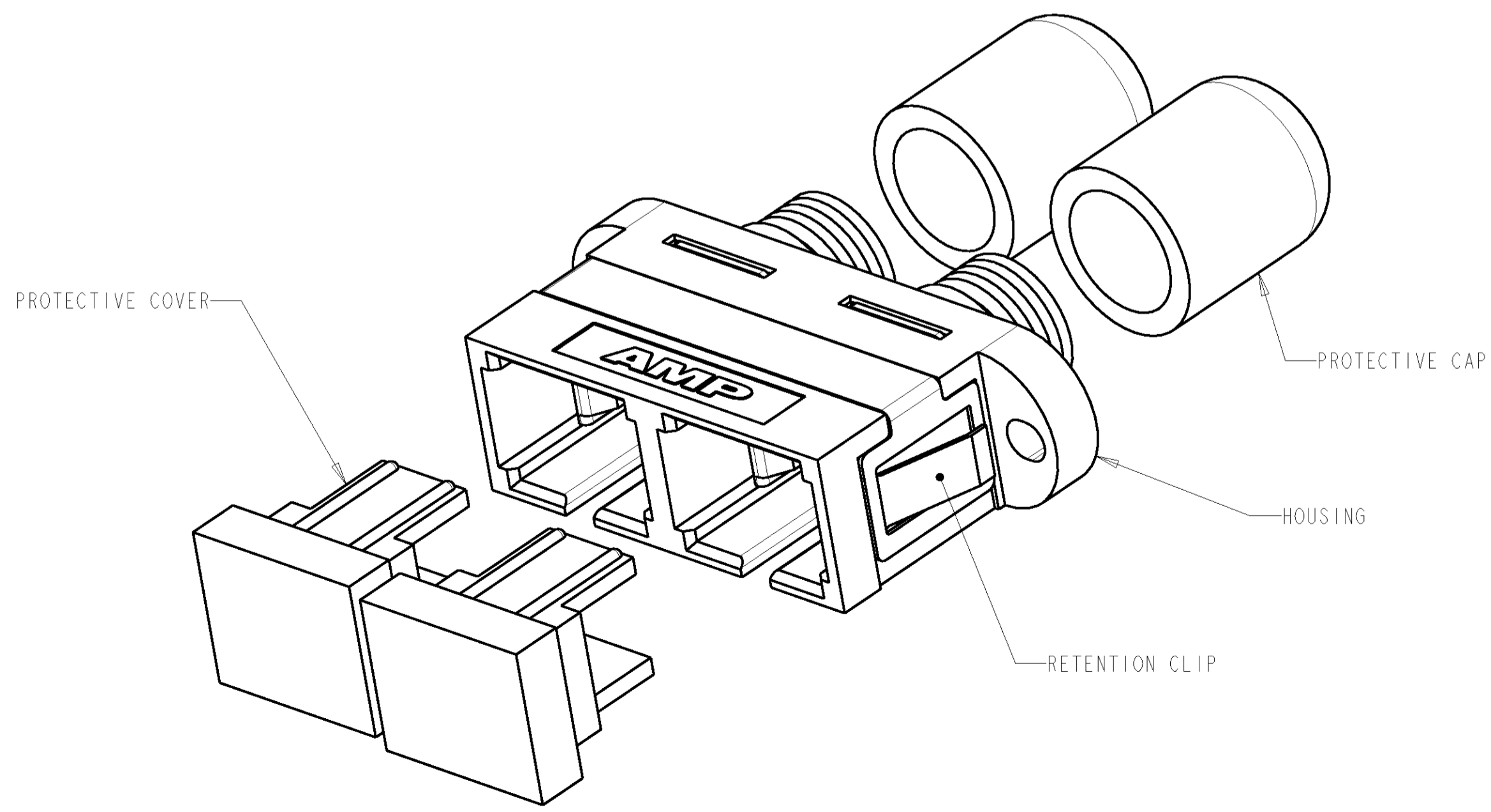
LOC	DIST	REVISIONS					
		P	LTR	DESCRIPTION	DATE	DWN	APVD
CE	00		A	RELEASE TO ACTIVE	17MAY2005	BB	SM
			A1	REVISED PER ECO-10-000445	11JAN10	KK	AEG

1 MATERIAL:
 HOUSING: DIECAST ZINC, NICKEL PLATED.
 ALIGNMENT SLEEVE: SEE DASH NO'S
 PROTECTIVE COVER: TPE, COLOR: BLACK.*
 RETENTION CLIP: STAINLESS STEEL
 PROTECTIVE CAP: VINYL
 RETAINER: PEI-GF30, COLOR: BLACK.*
 *UL94 V-0 RATED AT QUALIFYING THICKNESS.

2 BULK PACKAGE.
 3 OBSOLETE PARTS: OBSOLETE CIS STREAMLINING PER D.RENAUD/D.SINISI



SUGGESTED PANEL CUTOUT
 MAX. PANEL THICKNESS 1.7



2		
	CERAMIC	6278050-4
	CERAMIC	6278050-3
3 2	OBSOLETE METAL	6278050-2
	METAL	6278050-1
	ALIGNMENT SLEEVE	PART NO

THIS DRAWING IS A CONTROLLED DOCUMENT FOR AMP INCORPORATED. IT IS SUBJECT TO CHANGE AND THE CONTROLLING ENGINEERING ORGANIZATION SHOULD BE CONTACTED FOR THE LATEST REVISION.		DWN B. BRIGGS 17MAY2005	AMP Incorporated Harrisburg, PA 17105-3608	
DIMENSIONS: mm		CHK S. MILLER 17MAY2005	NAME AMP ASSEMBLY, DUPLEX RECPETACLE, SC/FC DIECAST HOUSING	
TOLERANCES UNLESS OTHERWISE SPECIFIED: 0 PLC ± 1 PLC ±0.1 2 PLC ±0.05 3 PLC ± 4 PLC ± ANGLES ± FINISH ±		APVD S. BUCHTER 17MAY2005		
MATERIAL		PRODUCT SPEC	SIZE A2	CAGE CODE 00779
		APPLICATION SPEC	DRAWING NO C-6278050	RESTRICTED TO
		WEIGHT	SCALE 4.0	SHEET OF REV A1
		CUSTOMER DRAWING		

X-ON Electronics

Largest Supplier of Electrical and Electronic Components

Click to view similar products for [Fibre Optic Connectors](#) category:

Click to view products by [TE Connectivity](#) manufacturer:

Other Similar products are found below :

[0004700001](#) [6100-R](#) [6313](#) [F709034706](#) [F709722200](#) [F709730000](#) [F718183204](#) [F727403500](#) [F727752800](#) [8119](#) [9440F20-27S-190](#) [944-120-6001](#) [9441F10SL-3S](#) [9444W28-21S](#) [9444W36-10S](#) [9446F10SL-4S](#) [9446W20-16S](#) [953-101-5310-P](#) [954-101-57202B](#) [A0270169](#) [12-9122](#) [12-5702](#) [AX101713](#) [AX102420](#) [AX103923](#) [AX104024](#) [AX104193](#) [AX104230](#) [AX104562](#) [AX105203-B25](#) [AX105205-S1](#) [EHSC2M](#) [181-011-126](#) [181-011-S](#) [181-057-126](#) [HRFC-R2\(40\)](#) [NKSOPBUY](#) [20500002116](#) [2064996-1](#) [20800001065](#) [2170](#) [9132](#) [2612](#) [2620](#) [9291](#) [9440F16-10S](#) [9440F20-18S](#) [9446F16-10S-190](#) [953-106-50231](#) [953-120-5003](#)