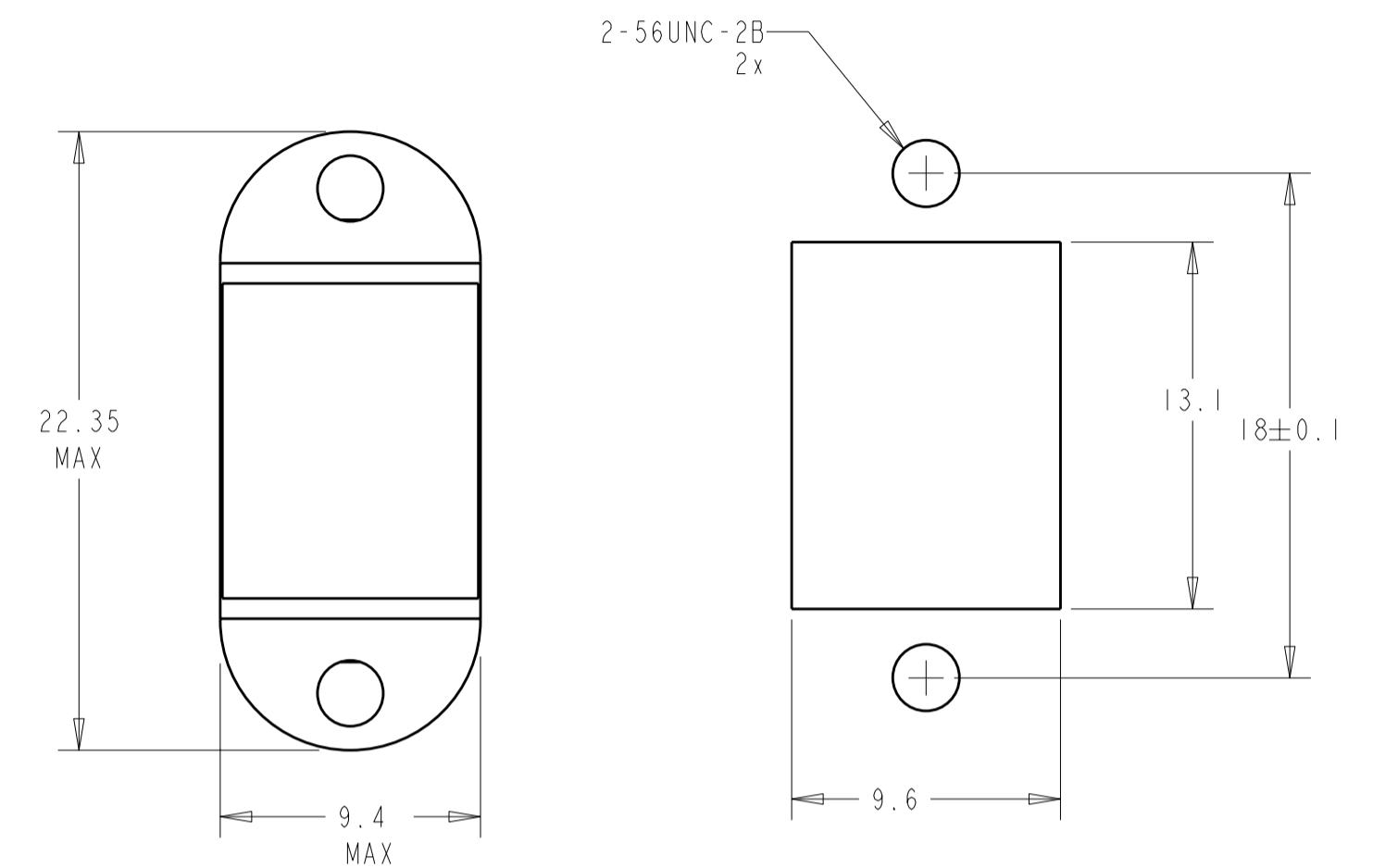
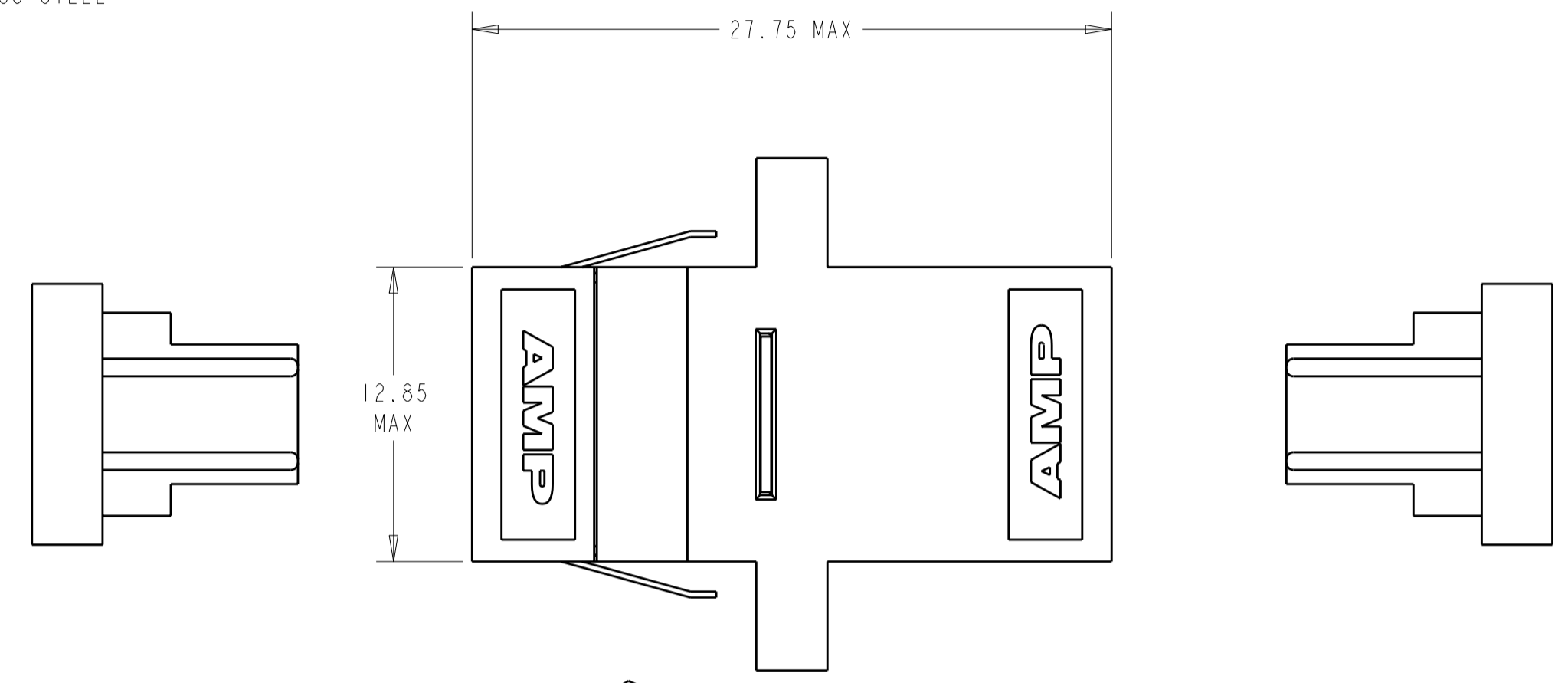


THIS DRAWING IS UNPUBLISHED. RELEASED FOR PUBLICATION
 © COPYRIGHT 19 BY TYCO ELECTRONICS CORPORATION. ALL RIGHTS RESERVED.

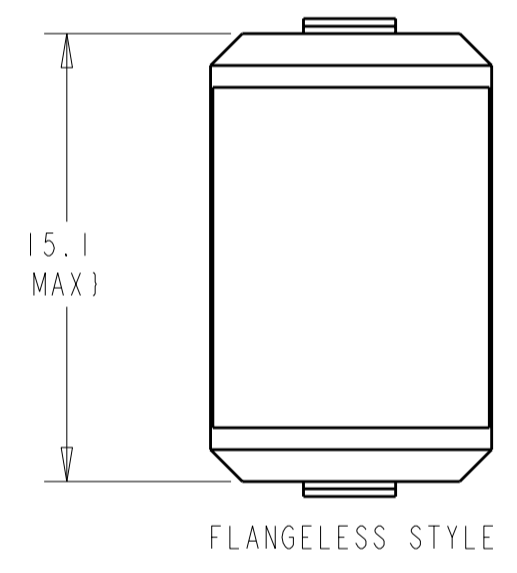
LOC	DIST	REVISIONS			
P	LTR	DESCRIPTION	DATE	DWN	APVD
CE	00	A	RELEASE TO ACTIVE	07JUN2006	BB SM

1 MATERIAL:
 HOUSING: DIECAST ZINC, NICKEL PLATED
 SLEEVE: SEE DASH NO'S
 RETAINER: PEI GF30, COLOR: BLACK, UL94 V-0 RATED AT QUALIFYING THICKNESS.
 PROTECTIVE COVER: TPE, COLOR: BLACK, UL94 V-0 RATED AT QUALIFYING THICKNESS.
 RETENTION CLIP: STAINLESS STEEL

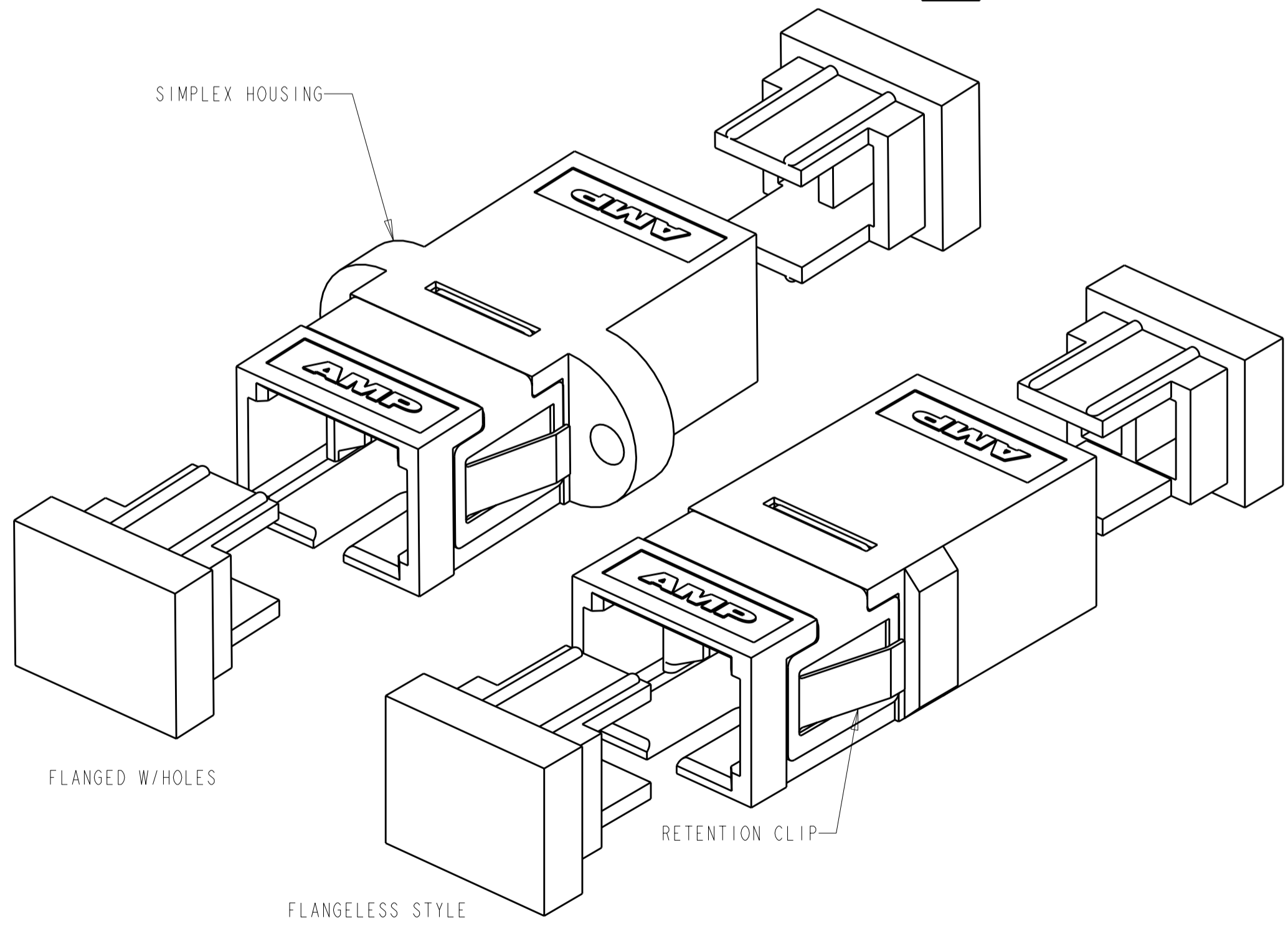
2 BULK PACKAGE.



SUGGESTED PANEL CUTOUT
 MAX PANEL THICKNESS 1.7



FLANGELESS STYLE



FLANGED W/HOLES

FLANGELESS STYLE

2	CERAMIC	FLANGED W/HOLES, NO CLIP	1-6278348-2
2	CERAMIC	FLANGELESS, NO CLIP	1-6278348-0
2	METAL	FLANGED W/HOLES, NO CLIP	6278348-9
2	CERAMIC	FLANGELESS	6278348-8
	CERAMIC	FLANGELESS	6278348-7
2	METAL	FLANGELESS	6278348-6
	METAL	FLANGELESS	6278348-5
2	CERAMIC	FLANGED W/HOLES	6278348-4
	CERAMIC	FLANGED W/HOLES	6278348-3
2	METAL	FLANGED W/HOLES	6278348-2
	METAL	FLANGED W/HOLES	6278348-1
	ALIGNMENT SLEEVE	DESCRIPTION	PART NO

THIS DRAWING IS A CONTROLLED DOCUMENT FOR TYCO ELECTRONICS CORPORATION IT IS SUBJECT TO CHANGE AND THE CONTROLLING ENGINEERING ORGANIZATION SHOULD BE CONTACTED FOR THE LATEST REVISION.		DWN B. BRIGGS 12MAY2005	AMP Incorporated Harrisburg, PA 17105-3608	
DIMENSIONS: mm		CHK S. MILLER 12MAY2005	NAME RECEPTACLE ASSEMBLY, AMP SC TO SC	
TOLERANCES UNLESS OTHERWISE SPECIFIED: 0 PLC ± 1 PLC ±0.1 2 PLC ± 3 PLC ± 4 PLC ± ANGLES ± FINISH -		APVD S. BUCHTER 12MAY2005		
MATERIAL		PRODUCT SPEC	SIZE A2	CAGE CODE 00779
		APPLICATION SPEC	DRAWING NO 6278348	RESTRICTED TO
		WEIGHT	SCALE 4:1	SHEET 1
		CUSTOMER DRAWING	REV A	

X-ON Electronics

Largest Supplier of Electrical and Electronic Components

Click to view similar products for [Fibre Optic Connectors](#) category:

Click to view products by [TE Connectivity](#) manufacturer:

Other Similar products are found below :

[0004700001](#) [6100-R](#) [6313](#) [F709034706](#) [F709722200](#) [F709730000](#) [F718183204](#) [F727403500](#) [F727752800](#) [8119](#) [9440F20-27S-190](#) [944-120-6001](#) [9441F10SL-3S](#) [9444W28-21S](#) [9444W36-10S](#) [9446F10SL-4S](#) [9446W20-16S](#) [953-101-5310-P](#) [954-101-57202B](#) [A0270169](#) [12-9122](#) [12-5702](#) [AX101713](#) [AX102420](#) [AX103923](#) [AX104024](#) [AX104193](#) [AX104230](#) [AX104498](#) [AX104562](#) [AX105203-B25](#) [AX105205-S1](#) [EHSC2M](#) [181-011-126](#) [181-011-S](#) [181-057-126](#) [HRFC-R2\(40\)](#) [NKSOPBUY](#) [20500002116](#) [2064996-1](#) [20800001065](#) [2170](#) [9132](#) [2612](#) [2620](#) [9291](#) [9440F16-10S](#) [9440F20-18S](#) [9442W14S-10P](#) [9446F16-10S-190](#)