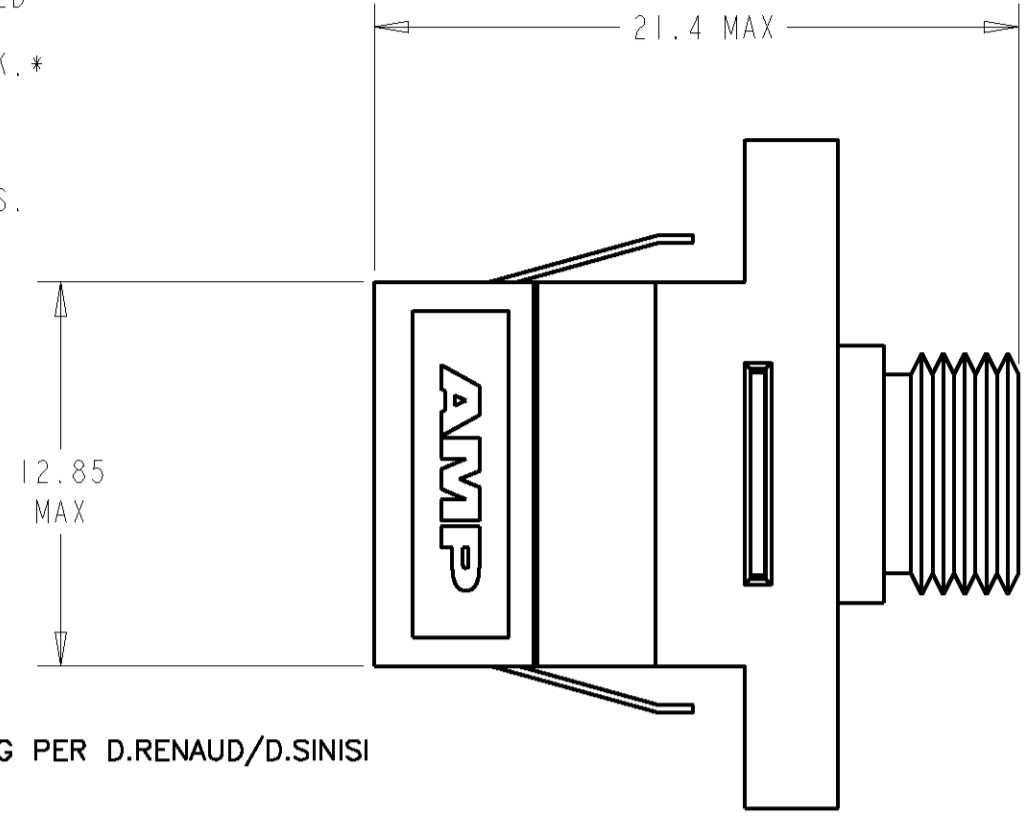


THIS DRAWING IS UNPUBLISHED. RELEASED FOR PUBLICATION
 © COPYRIGHT 19 BY TYCO ELECTRONICS CORPORATION. ALL RIGHTS RESERVED.

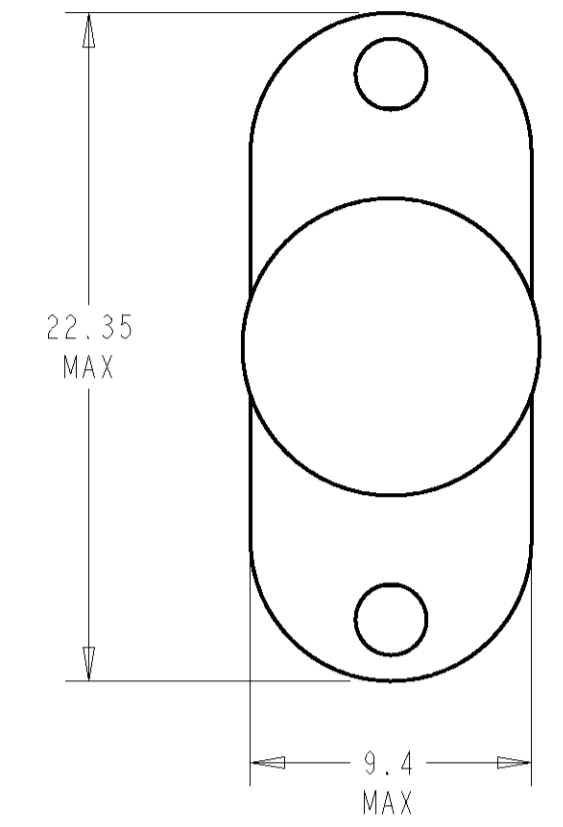
LOC	DIST	REVISIONS			
P	LTR	DESCRIPTION	DATE	DWN	APVD
CE	00	A	RELEASE TO ACTIVE	07JUN2006	BB SB
		A1	REVISED PER ECO-10-000445	11JAN10	KK AEG

1 MATERIAL:
 HOUSING: DIECAST ZINC, NICKEL PLATED
 ALIGNMENT SLEEVE: SEE DASH NO'S
 PROTECTIVE COVER: TPE, COLOR: BLACK.*
 RETENTION CLIP: STAINLESS STEEL
 PROTECTIVE COVER: VINYL
 RETAINER: PEI-GF30, COLOR: BLACK.*
 *UL94 V-0 RATED AT QUALIFYING THICKNESS.

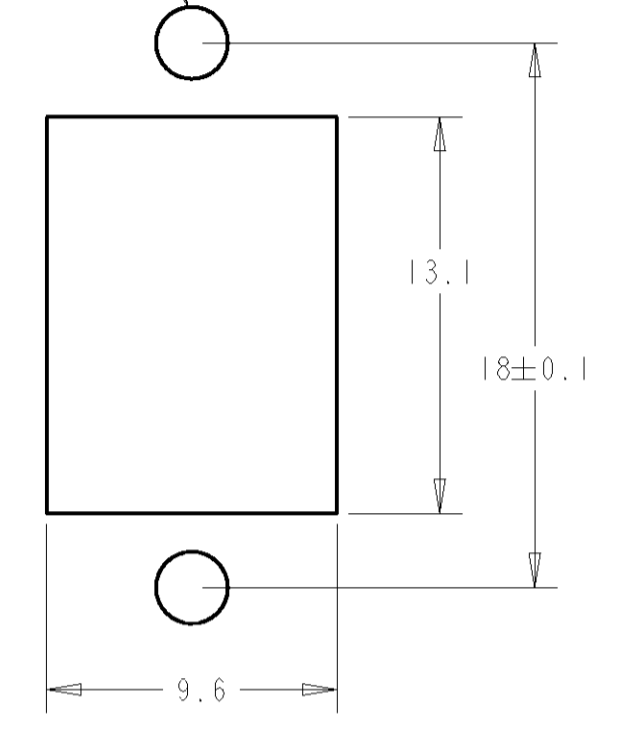
2 BULK PACKAGE.



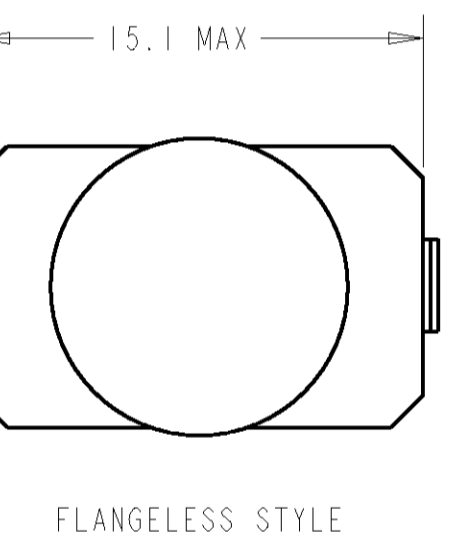
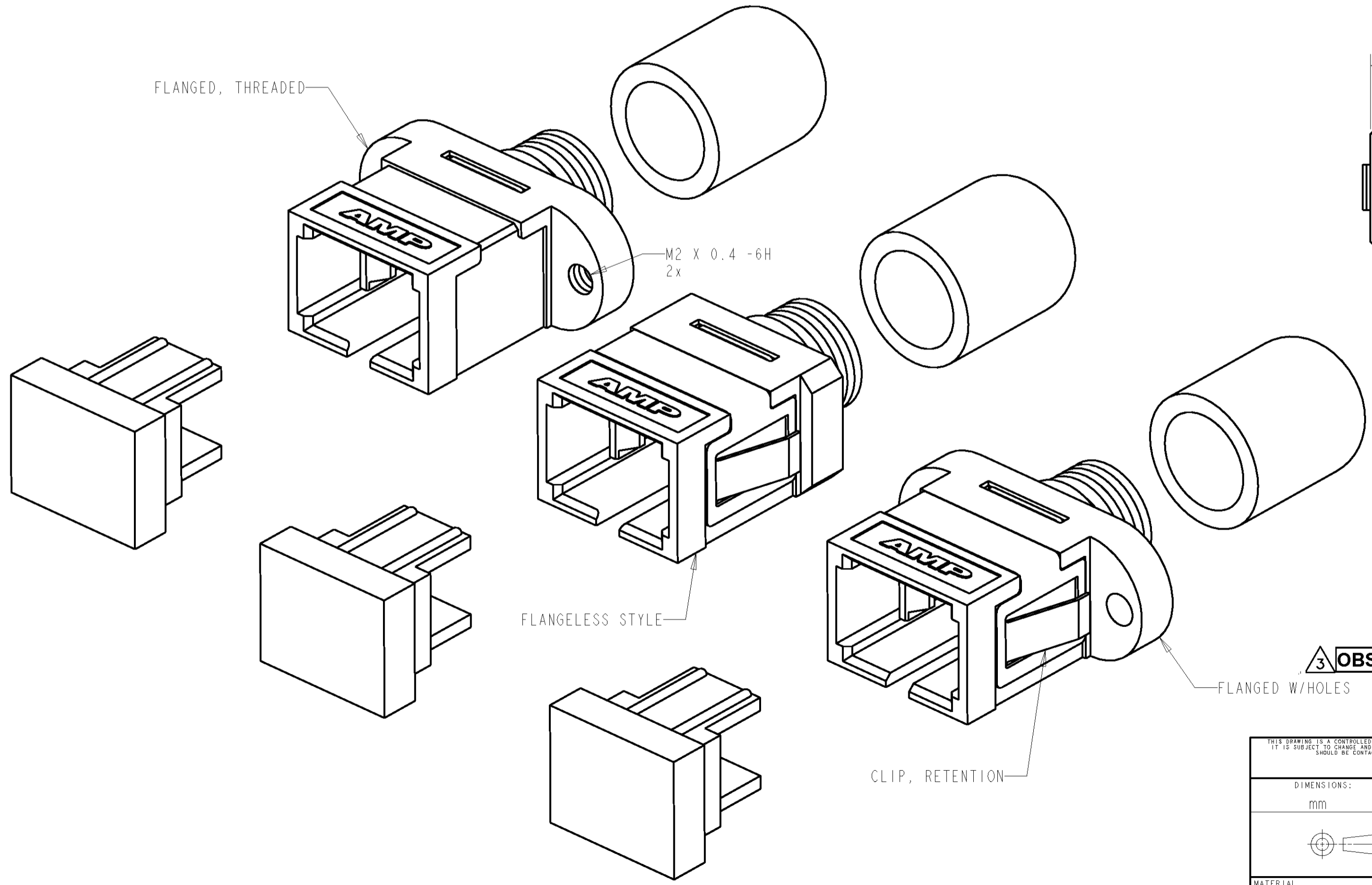
3 OBSOLETE PARTS: OBSOLETE CIS STREAMLINING PER D.RENAUD/D.SINISI



2-56UNC-2B, OR M2 X 0.4 -6H
 2x, WHEN REQUIRED



SUGGESTED PANEL CUTOUT
 MAX PANEL THICKNESS 1.7



FLANGELESS STYLE

2	CERAMIC	THREADED FLANGE, NO CLIP	1-6278349-2
2	CERAMIC	FLANGED W/HOLES, NO CLIP	1-6278349-1
2	CERAMIC	FLANGELESS, NO CLIP	1-6278349-0
2	METAL	FLANGED W/HOLES, NO CLIP	6278349-9
2	CERAMIC	FLANGELESS	6278349-8
2	CERAMIC	FLANGELESS	6278349-7
2	METAL	FLANGELESS	6278349-6
2	METAL	FLANGELESS	6278349-5
2	CERAMIC	FLANGED W/HOLES	6278349-4
2	CERAMIC	FLANGED W/HOLES	6278349-3
2	METAL	FLANGED W/HOLES	6278349-2
2	METAL	FLANGED W/HOLES	6278349-1
		ALIGNMENT SLEEVE	
		DESCRIPTION	PART NO

3 OBSOLETE

THIS DRAWING IS A CONTROLLED DOCUMENT FOR TYCO ELECTRONICS CORPORATION IT IS SUBJECT TO CHANGE AND THE CONTROLLING ENGINEERING ORGANIZATION SHOULD BE CONTACTED FOR THE LATEST REVISION		DWN B. BRIGGS 17MAY2005 CHK S. MILLER 17MAY2005 APVD S. BUCHTER 17MAY2005	AMP AMP Incorporated Harrisburg, PA 17105-3608
DIMENSIONS: mm 	TOLERANCES UNLESS OTHERWISE SPECIFIED: 0 PLC ± 1 PLC ±0.1 2 PLC ±0.05 3 PLC ± 4 PLC ± ANGLES ± FINISH -	PRODUCT SPEC - APPLICATION SPEC - WEIGHT -	NAME ASSEMBLY, RECEPTACLE, SC/FC SIMPLEX, DIECAST HOUSING SIZE A2 CAGE CODE 00779 DRAWING NO C-6278349 RESTRICTED TO - SCALE 4:1 SHEET OF REV A1
MATERIAL -		CUSTOMER DRAWING	

X-ON Electronics

Largest Supplier of Electrical and Electronic Components

Click to view similar products for [Fiber Optic Connectors](#) category:

Click to view products by [TE Connectivity](#) manufacturer:

Other Similar products are found below :

[0004700001](#) [6100-R](#) [6313](#) [F709034706](#) [F709722200](#) [F718183204](#) [F727403500](#) [F727752800](#) [FCXO-12-3BY](#) [FO-SCREW\(M2X6\)](#) [9440F20-27S-190](#) [944-120-6001](#) [944-125-6003](#) [9441F10SL-3S](#) [9446F10SL-4S](#) [953-101-5310-P](#) [954-101-57202B](#) [A0270169](#) [12-9122](#) [12-5702](#) [143025NC](#) [AX101713](#) [AX102420](#) [AX103923](#) [AX104141](#) [AX104193](#) [AX104228](#) [AX104230](#) [AX104562](#) [AX105203-B25](#) [AX105205-S1](#) [EHSC2M](#) [17-300800](#) [181-011-126](#) [BT34IW](#) [HRFCP-HSCJ-1\(61\)](#) [HRFC-R2\(40\)](#) [NKSOPBUY](#) [20500002116](#) [2064996-1](#) [20800001065](#) [2170](#) [9132](#) [2612](#) [2620](#) [9291](#) [9440F18-19S](#) [9440F20-14P](#) [9440F20-14PW](#) [9440W18-1S](#)