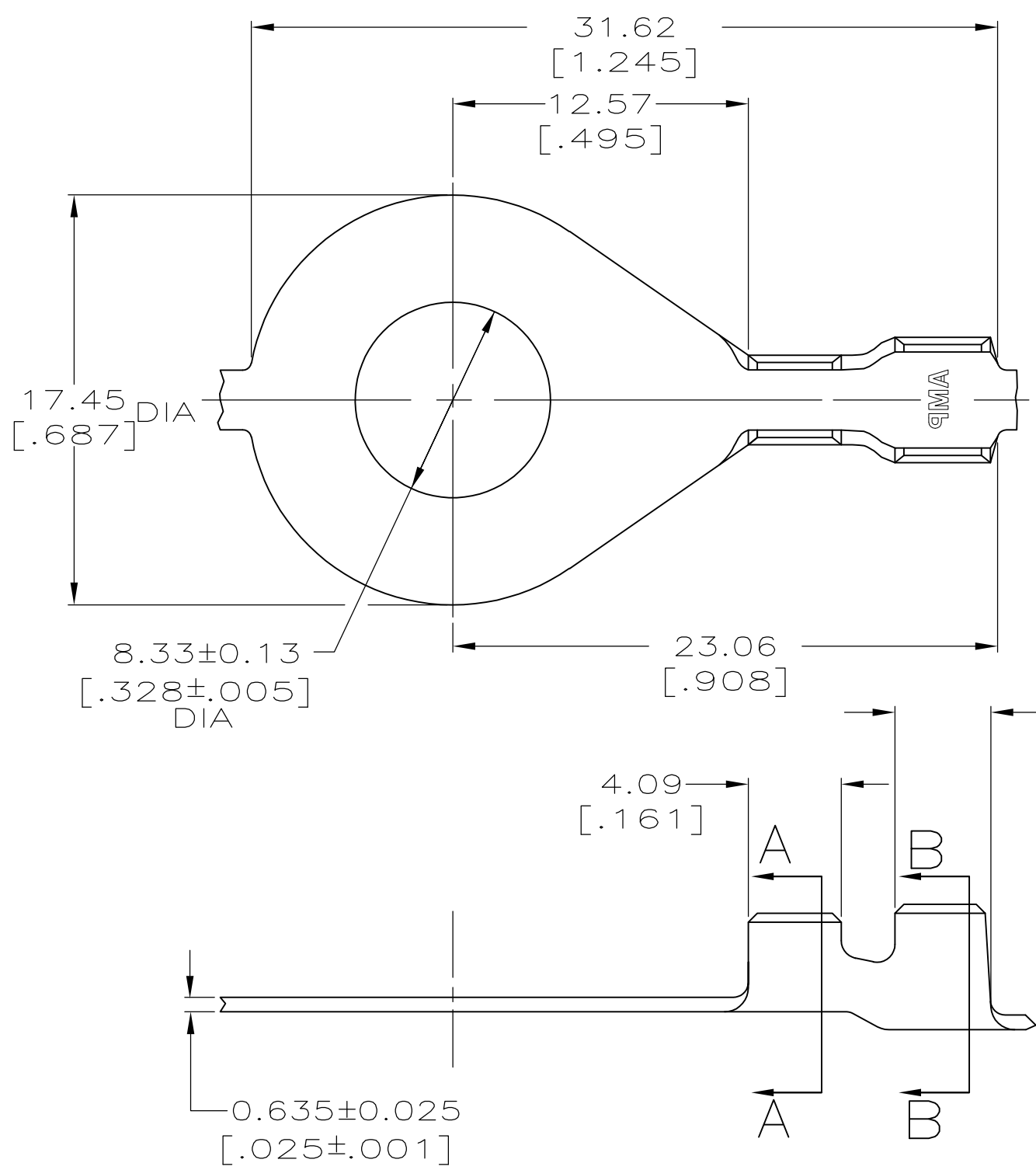
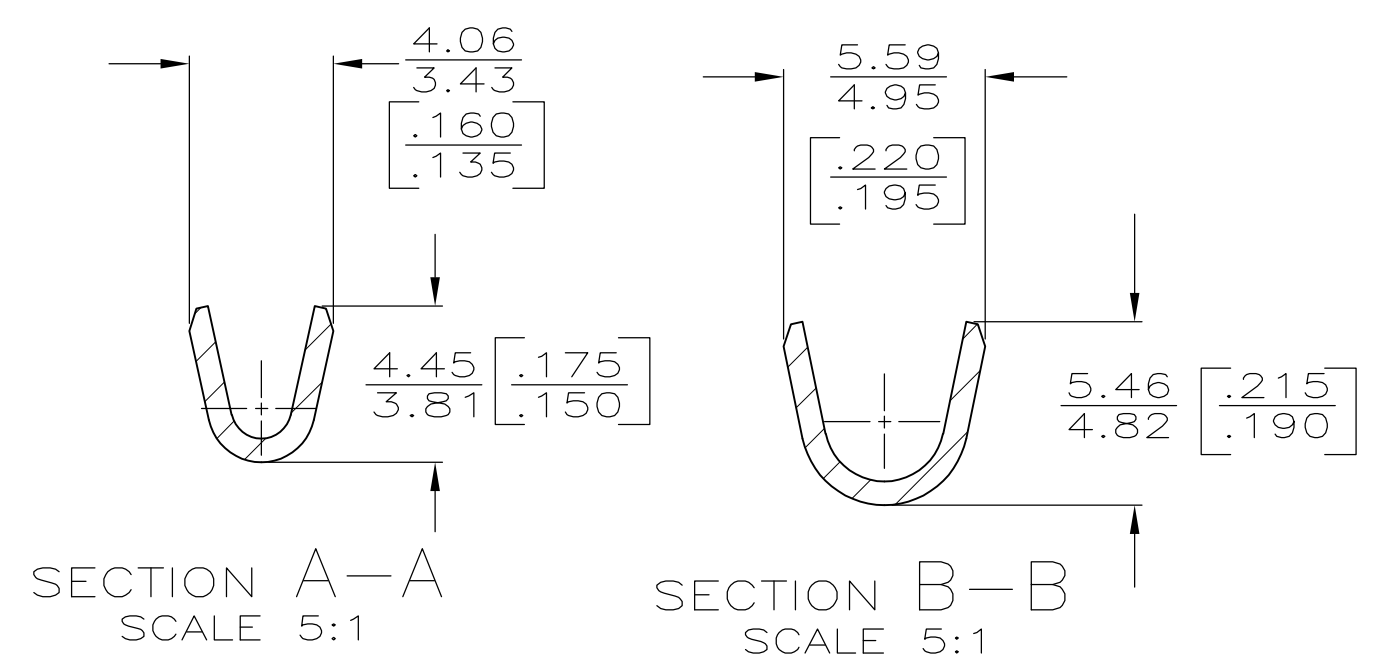


THIS DRAWING IS UNPUBLISHED. RELEASED FOR PUBLICATION  
 © COPYRIGHT BY TYCO ELECTRONICS CORPORATION. ALL INTERNATIONAL RIGHTS RESERVED.

| LOC | DIST | REVISIONS                 |         |     |      |
|-----|------|---------------------------|---------|-----|------|
| P   | LTR  | DESCRIPTION               | DATE    | DWN | APVD |
| AF  | 50   |                           |         |     |      |
|     | D    | REVISED PER ECR-10-006099 | 09JUL10 | HMR | PD   |



1. CONTINUOUS STRIP ON REEL.



|        |            |                  |             |         |
|--------|------------|------------------|-------------|---------|
| TIN    | 082 BRASS  | 2.29-3.68        | [18-14] AWG | 62787-2 |
| -      | TEMP A SST | [.090-.145] DIA  |             | 62787-1 |
| FINISH | MATERIAL   | INSULATION RANGE | WIRE RANGE  | PART NO |

|  |   |                                       |   |                    |
|--|---|---------------------------------------|---|--------------------|
| THIS DRAWING IS A CONTROLLED DOCUMENT. |   | DWN<br>PHILLIP M FORTNEY<br>30/JAN/96 | Tyco Electronics<br>Tyco Electronics Corporation<br>Harrisburg, PA 17105-3608 |                    |
| DIMENSIONS:<br>mm [INCHES]             | TOLERANCES UNLESS<br>OTHERWISE SPECIFIED:   | CHK<br>JEFF R RUTH<br>30/JAN/96       | NAME  |                    |
|  | 0 PLC ± -<br>1 PLC ± -<br>2 PLC ± 0.25 [.010]<br>3 PLC ± -<br>4 PLC ± -<br>ANGLES ± - | APVD<br>GARY YETTER<br>30/JAN/96      | RING  |                    |
| MATERIAL<br>SEE TABLE                  | FINISH<br>SEE TABLE   | PRODUCT SPEC<br>-                     | APPLICATION SPEC<br>-   | RESTRICTED TO<br>- |
|  |   | WEIGHT<br>-                           | SIZE<br>A3  | CAGE CODE<br>00779 |
|  |   | DRAWING NO<br>C-62787                 |   | REV<br>D           |
|  |   | CUSTOMER DRAWING                      |   | SCALE<br>4:1       |
|  |   | SHEET<br>1 OF 1                       |   |                    |

## X-ON Electronics

Largest Supplier of Electrical and Electronic Components

*Click to view similar products for [Terminals](#) category:*

*Click to view products by [TE Connectivity](#) manufacturer:*

Other Similar products are found below :

[00-054007-01074-6](#) [00-054007-70206-1](#) [00-054007-70210-8](#) [00-054007-70217-7](#) [00-054007-70226-9](#) [00-054007-70228-3](#) [00-054007-70248-1](#) [00-054007-70256-6](#) [00-054007-70301-3](#) [00-054007-70316-7](#) [0-0320562-0](#) [00-054007-49560-4](#) [00-054007-70209-2](#) [00-054007-70225-2](#) [00-054007-70227-6](#) [00-054007-70231-3](#) [00-054007-70241-2](#) [00-054007-70242-9](#) [00-054007-70244-3](#) [00-054007-70246-7](#) [00-054007-70263-4](#) [00-054007-70288-7](#) [00-054007-70290-0](#) [00-054007-70300-6](#) [00-054007-70304-4](#) [01-2065-1-0216](#) [01-2900-1-04412](#) [00581P0075](#) [600TS-10](#) [60205-1](#) [604200-1](#) [605601-1](#) [60598-1-CUT-TAPE](#) [61314-6-C](#) [61810-3](#) [61-S](#) [61-SN](#) [626-0194](#) [62-NBM-A](#) [62-SN](#) [62-SP](#) [63-S](#) [640179-1](#) [M55155/059I03](#) [M55155/079C01](#) [M55155/099H02](#) [M55155/109H01](#) [M55155/109H02](#) [M55155/12XH05](#) [M55155/16XH02](#)