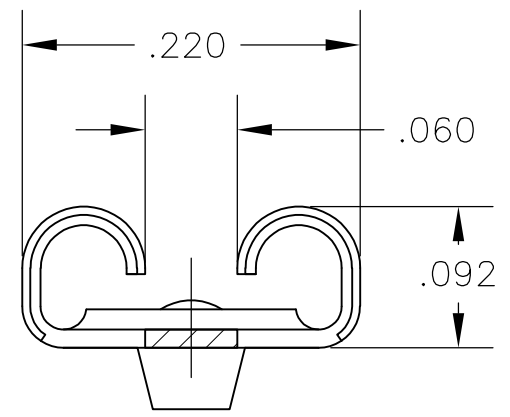
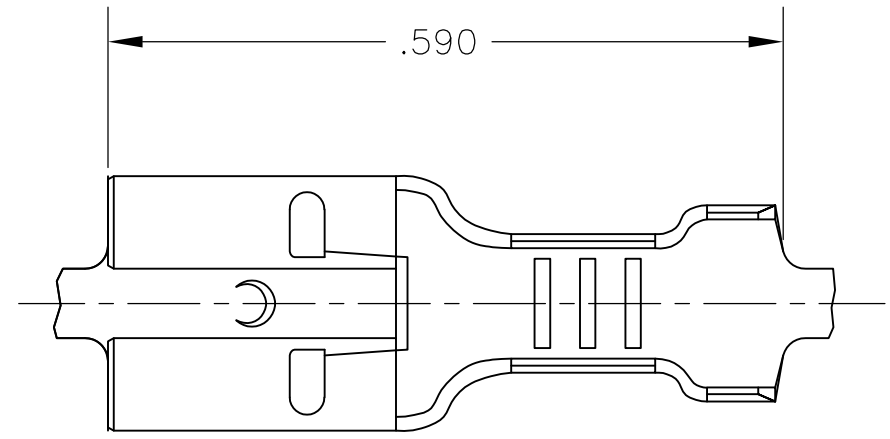


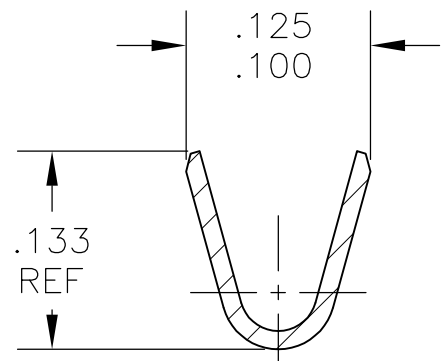
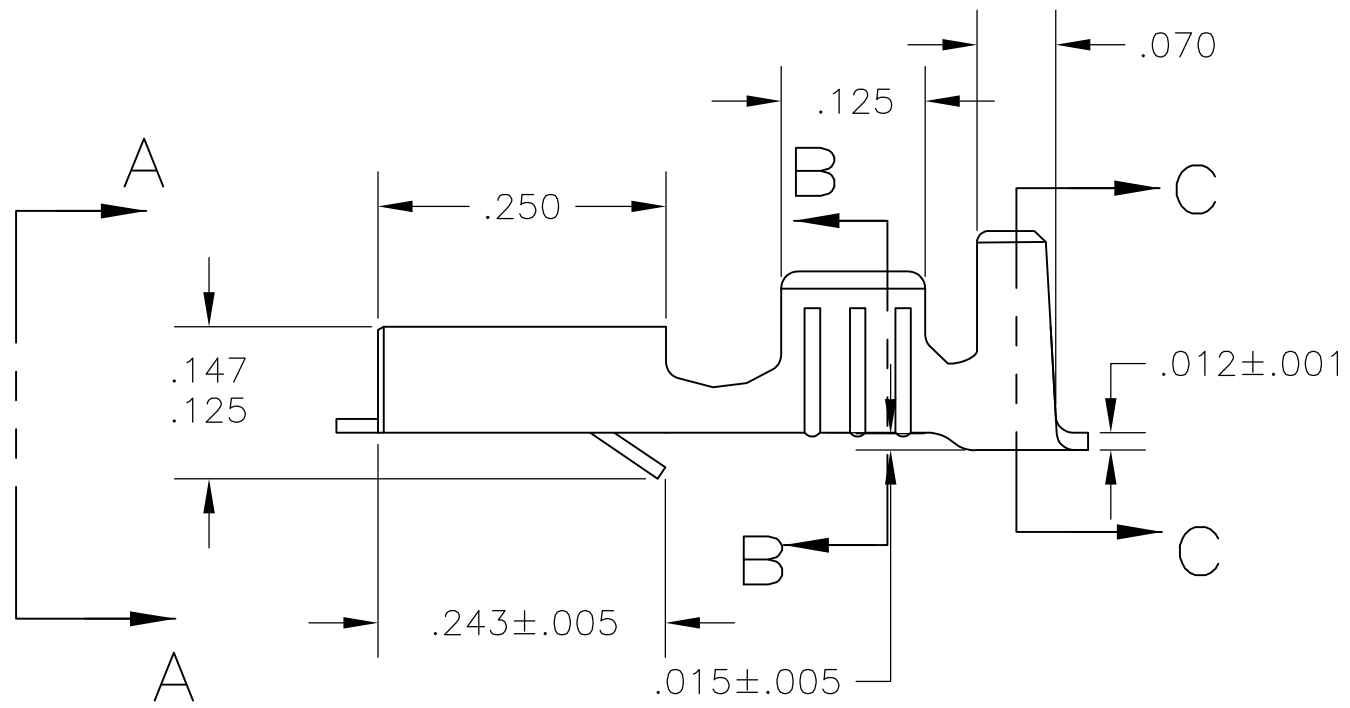
THIS DRAWING IS UNPUBLISHED. RELEASED FOR PUBLICATION
 © COPYRIGHT - By - ALL RIGHTS RESERVED.

LOC	DIST	REVISIONS			
P	LTR	DESCRIPTION	DATE	DWN	APVD
AF	50	L	REVISED PER ECR-13-004074	27AUG2013	KH PD

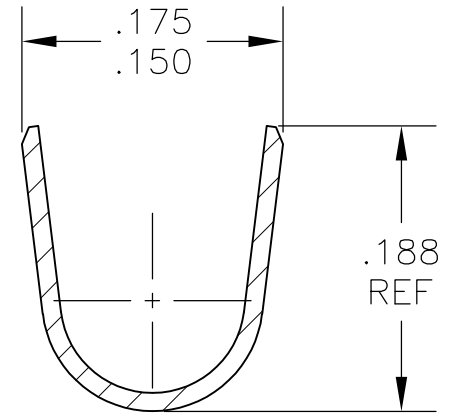


VIEW A-A
SCALE 8:1

- CONTINUOUS STRIP ON REELS.
- WIRE SIZE IS #22-#16 AWG
- INSULATION RANGE IS .090-.130 DIA.
- MATING TAB THK IS .032±.001



SECTION B-B
SCALE 8:1



SECTION C-C
SCALE 8:1

TIN	62802-2
-	62802-1
FINISH	PART NO.

THIS DRAWING IS A CONTROLLED DOCUMENT.		DWN	JR RUTH	10/31/89	TE Connectivity						
DIMENSIONS: INCHES		CHK	MS FEHER	10/31/89							
		TOLERANCES UNLESS OTHERWISE SPECIFIED:		APVD	J GILLESPIE	2/20/90	NAME	RECEPTACLE, FASTIN-FASTON, .187 SERIES			
MATERIAL: BRASS		FINISH: SEE TABLE		PRODUCT SPEC: -		APPLICATION SPEC: -		SIZE: A3	CAGE CODE: 00779	DRAWING NO: C-62802	RESTRICTED TO: -
CUSTOMER DRAWING				WEIGHT: -		SCALE: 6:1		SHEET: 1 OF 1		REV: L	

X-ON Electronics

Largest Supplier of Electrical and Electronic Components

Click to view similar products for [Terminals](#) category:

Click to view products by [TE Connectivity](#) manufacturer:

Other Similar products are found below :

[HT-13-10](#) [71M-250-32-NB](#) [01-2065-1-0216](#) [00581P0075](#) [M10-10RX](#) [M10BCK](#) [60205-1](#) [604200-1](#) [60598-1-CUT-TAPE](#) [60617-1-C](#) [60873-1](#) [M14-516R/SK](#) [M14-6RSX](#) [M18-8FBX](#) [M18-8R/LX](#) [M18BCK](#) [61314-6-C](#) [61-S](#) [61-SN-A](#) [62-NBM-A](#) [63-S](#) [640179-1](#) [640917-2-CUT-TAPE](#) [6501550002](#) [66107-2-C](#) [696683-1](#) [696834-1](#) [696861-1](#) [696931-1](#) [696999-1](#) [M8-516RK](#) [M86700006](#) [MA250DMFMX-A](#) [701-2007](#) [701-2307](#) [701-7761-03](#) [70F-110-32-PB](#) [718-N-A](#) [71M-187-20-NBL](#) [71M-250-32-NBL](#) [72F-187-20-NBL](#) [72M-250-32-NBL](#) [7310](#) [73F-250-32](#) [73F-250-32-NL](#) [F14-10C](#) [F-1M](#) [751-250](#) [76650-5002](#) [76828-149](#)