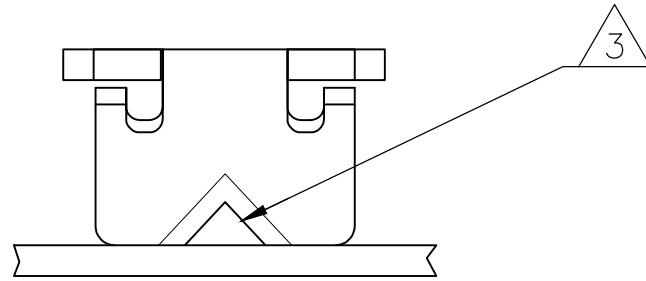
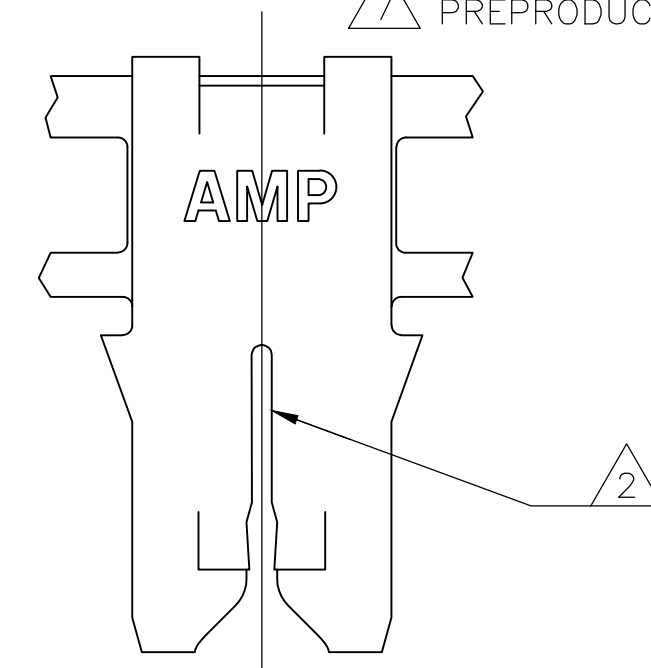
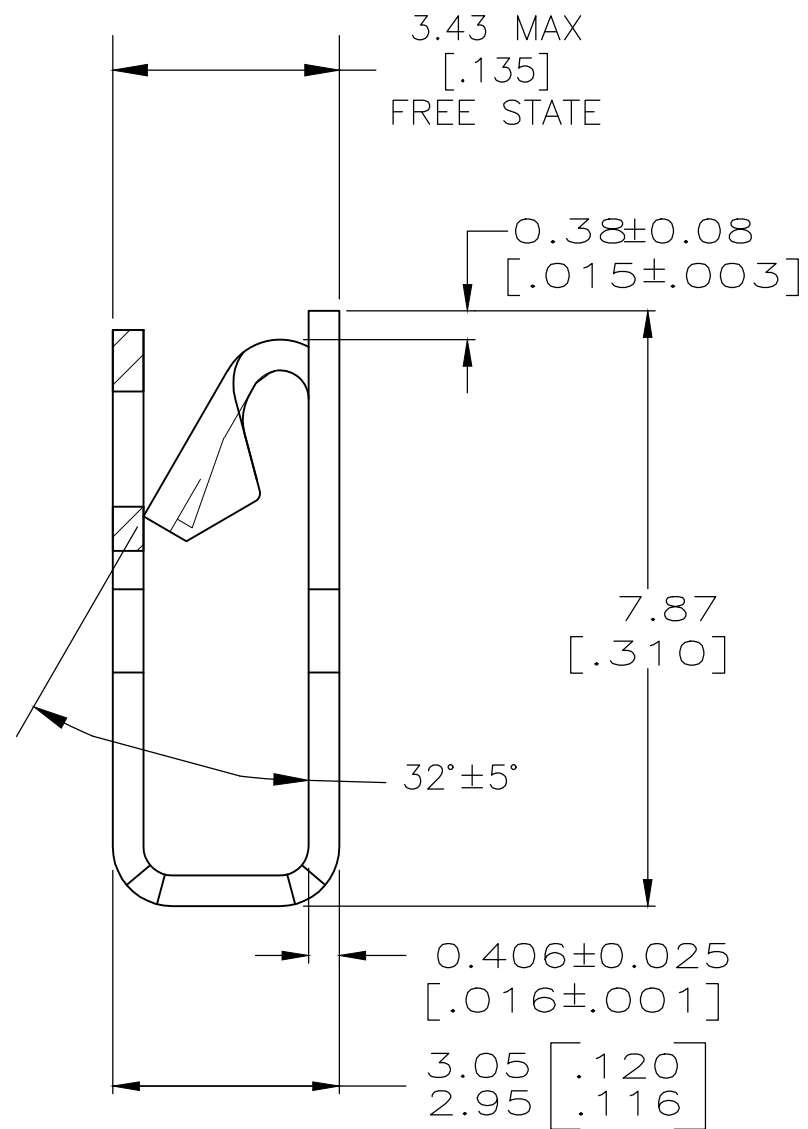
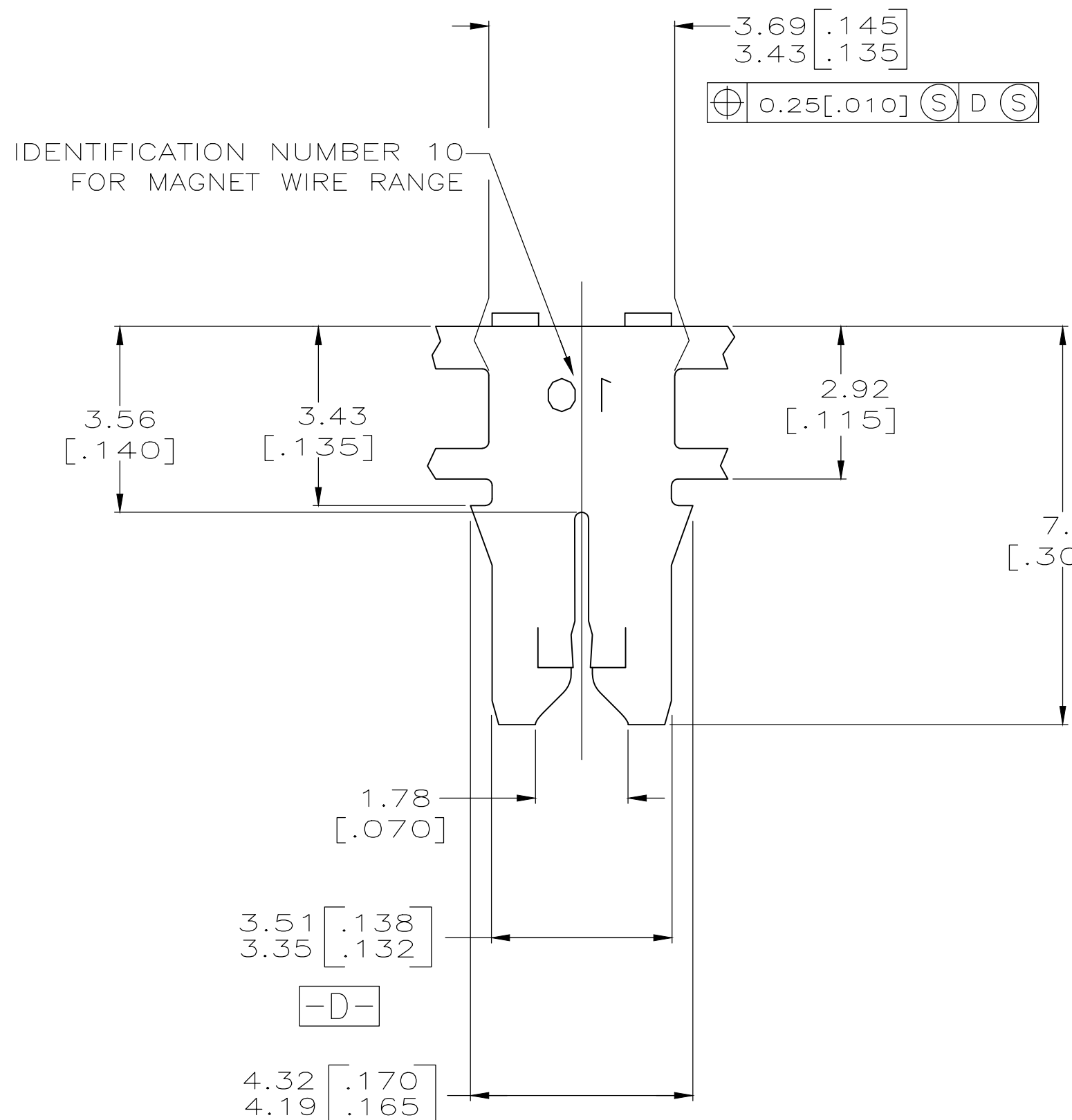


THIS DRAWING IS UNPUBLISHED. RELEASED FOR PUBLICATION
 © COPYRIGHT - By - ALL RIGHTS RESERVED.

REVISIONS					
P	LTR	DESCRIPTION	DATE	DWN	APVD
	AK	REVISED PER ECR-19-015400	14OCT2019	PC	SE



- 1 CONTINUOUS STRIP ON REELS WITH TERMINALS LOCATED ON 5.59±0.08 [.220±.003] CENTERS.
- 2 SLOT ACCEPTS EITHER A SINGLE OR DOUBLE MAGNET WIRE OF THE SAME SIZE AND TYPE.
COPPER RANGE 0.36-0.57mm [#27-#23 AWG].
ALUMINUM RANGE 0.51-0.64mm [#24-#22 AWG].
ALUMINUM WIRE RANGE IS APPLICABLE FOR POST TIN PLATED PART NUMBERS ONLY
- 3 POKE-IN ACCEPTS A 0.50-0.90mm? [#20-#18] AWG SOLID OR FUSED STRANDED LEAD WIRE.
- 4 SPECIAL REEL QUANTITY - SPAIN PRODUCTION ONLY.
- 5 PRELIMINARY - NOT FOR PRODUCTION.
- 6 NON-US PRODUCTION ONLY.
- 7 PREPRODUCTION - FASR REQUIRED



	STANDARD	PAPER SPLICE	WITH PAPER	TIN PLATED	BRASS	1-62935-2
	STANDARD	PAPER SPLICE	WITHOUT PAPER	TIN PLATED	CuNiSi	62935-9
	STANDARD	PAPER SPLICE	WITHOUT PAPER	TIN PLATED	BRASS	62935-8
	STANDARD	SPLICE FREE	WITH PAPER	TIN PLATED	BRASS	62935-7
	REVERSE	PAPER SPLICE	WITHOUT PAPER	TIN PLATED	BRASS	62935-6
OBSOLETE	STANDARD	WELD SPLICE	WITHOUT PAPER	TIN PLATED	BRASS	62935-5
OBSOLETE	STANDARD	SPLICE FREE	PLASTIC REEL W/O PAPER	TIN PLATED	BRASS	62935-4
	STANDARD	PAPER SPLICE	WITH PAPER	TIN PLATED	BRASS	62935-3
	STANDARD	PAPER SPLICE	PLASTIC REEL W/ PAPER	NONE	BRASS	62935-2
	STANDARD	PAPER SPLICE	WITHOUT PAPER	TIN PLATED	BRASS	62935-1
	REELING DIRECTION	SPLICE	REELING	FINISH	MATERIAL	PART NUMBER

THIS DRAWING IS A CONTROLLED DOCUMENT.

DWN: MICHAEL S. FEHER 15MAR2004
 CHK: KURT A. RANDOLPH 15MAR2004
 APVD: KURT A. RANDOLPH 15MAR2004

NAME: KURT A. RANDOLPH

PRODUCT SPEC: 108-2012

APPLICATION SPEC: 114-2046

WEIGHT: 0

CUSTOMER DRAWING

SCALE: 10:1

SHEET: 1 OF 1

REV: AK

TE Connectivity

TERMINAL, POKE-IN, 300 SERIES MAG-MATE

SIZE: A2 CAGE CODE: 00779 DRAWING NO: C-62935 RESTRICTED TO: -

X-ON Electronics

Largest Supplier of Electrical and Electronic Components

Click to view similar products for [Terminals](#) category:

Click to view products by [TE Connectivity](#) manufacturer:

Other Similar products are found below :

[HT-13-10](#) [71M-250-32-NB](#) [01-2065-1-0216](#) [00581P0075](#) [M10-10RX](#) [M10BCK](#) [60205-1](#) [604200-1](#) [60598-1-CUT-TAPE](#) [60617-1-C](#) [60873-1](#) [M14-516R/SK](#) [M14-6RSX](#) [M18-10FLX](#) [M18-8FBX](#) [M18-8R/LX](#) [M18BCK](#) [61314-6-C](#) [61-S](#) [61-SN-A](#) [62-NBM-A](#) [63-S](#) [640179-1](#) [640917-2-CUT-TAPE](#) [6501550002](#) [66107-2-C](#) [696683-1](#) [696834-1](#) [696861-1](#) [696931-1](#) [696999-1](#) [M8-516RK](#) [M86700006](#) [MA250DMFMX-A](#) [701-2007](#) [701-2307](#) [701-7761-03](#) [70F-110-32-PB](#) [718-N-A](#) [71M-187-20-NBL](#) [71M-250-32-NBL](#) [72F-187-20-NBL](#) [72M-250-32-NBL](#) [7310](#) [73F-250-32](#) [73F-250-32-NBL](#) [73F-250-32-NL](#) [F14-10C](#) [F-1M](#) [751-250](#)