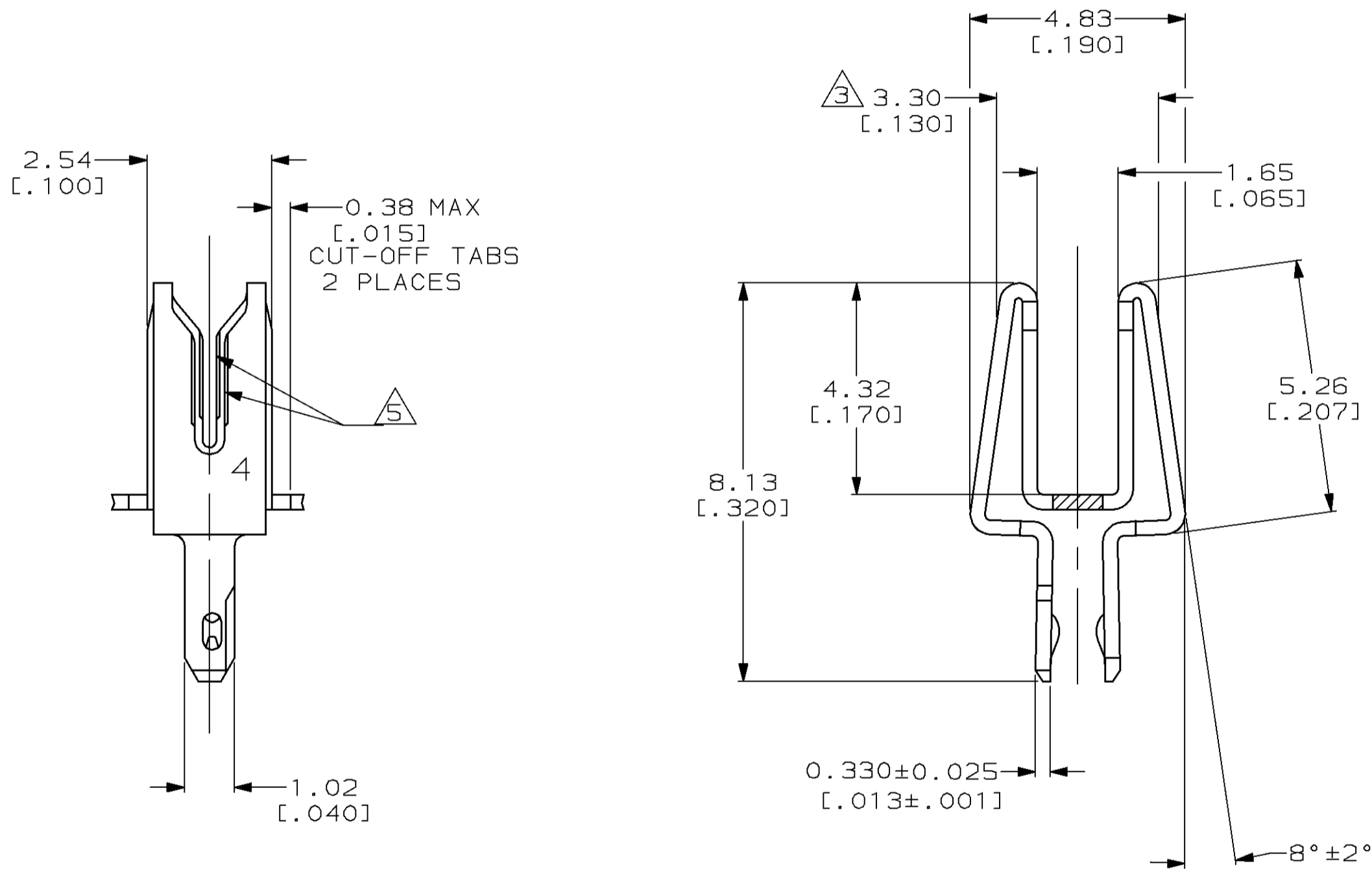


LOC	DIST	P	F	REVISIONS			DATE	APPD
ZONE	LTR	DESCRIPTION						
AF	50			L	REV PER 061A-0418-98	11/25/98	JR/DD	



- 1 WIRE TYPES NOT DESCRIBED SHALL BE SUBMITTED TO AMP ENGINEERING FOR WIRE-TO-TERMINAL APPLICATION APPROVAL
- 2 APPLICATION OF TERMINAL INTO P.C.BOARD AND WIRE INSERTION INTO TERMINAL SHALL BE IN ACCORDANCE WITH AMP SPEC.114-2051
- 3 MAXIMUM WIDTH AFTER INSERTION IN P.C. BOARD
- 4 CONTINUOUS STRIP ON REELS WITH TERMINALS LOCATED ON 3.18±0.076 [.125±.003] CENTERS
- 5 SLOT ACCEPTS 0.20mm<sup>2</sup> [#24] AWG 7 STRANDED (TIN PLATED) COPPER WIRE, 0.50-0.40mm [#24-#26] AWG SOLID COPPER WIRE, 0.40mm [#26] AWG FUSED COPPER WIRE.
- 6 0.00381 [.000150] MIN TIN PER MIL-T-10727 OVER 0.00254 [.000100] MIN COPPER UNDERPLATE PER MIL-T-14550.  
OR  
0.00381 [.000150] MIN TIN PER MIL-T-10727 OVER 0.00127 [.000050] MIN NICKEL UNDERPLATE PER QQ-N-290.

1.52 [.060] MAX	63007-1
INSULATION DIA. (PVC)	PART NO

DO NOT SCALE PRINT. UNLESS SPECIFIED DIMENSIONS IN mm [INCHES] TOLERANCES ON : 2 PLC DEC ± 0.25 [.010] 3 PLC DEC ± - ANGLES ± 1°	DR 13/SEPT/95 R.GRZYBOWSKI	AMP Incorporated Harrisburg, PA 17105-3608		
	CHK 13/SEPT/95 M.S.FEHER			NAME
MATERIAL H04 BRASS	APPD 13/SEPT/95 G.PORTA	TERMINAL, QUADRA-MATE 100 SERIES		
FINISH	APPD 13/SEPT/95 T.L.SHUTTER			
THIS DRAWING IS A CONTROLLED DOCUMENT FOR AMP INCORPORATED. IT IS SUBJECT TO CHANGE AND THE CONTROLLING ENGINEERING ORGANIZATION SHOULD BE CONTACTED FOR THE LATEST REVISION.	PRODUCT SPEC 108-2032	SIZE C	CAGE CODE 00779	DRAWING NO G=63007
	APPLICATION SPEC 2	SCALE 10:1	SHEET 1 OF 1	
WEIGHT -	CUSTOMER DRAWING			

## X-ON Electronics

Largest Supplier of Electrical and Electronic Components

*Click to view similar products for [Terminals](#) category:*

*Click to view products by [TE Connectivity](#) manufacturer:*

Other Similar products are found below :

[HT-13-10](#) [71M-250-32-NB](#) [01-2065-1-0216](#) [00581P0075](#) [M10-10RX](#) [M10BCK](#) [60205-1](#) [604200-1](#) [60598-1-CUT-TAPE](#) [60617-1-C](#) [60873-1](#) [M14-516R/SK](#) [M14-6RSX](#) [M18-8FBX](#) [M18-8R/LX](#) [M18BCK](#) [61314-6-C](#) [61-S](#) [61-SN-A](#) [62-NBM-A](#) [63-S](#) [640179-1](#) [640917-2-CUT-TAPE](#) [6501550002](#) [66107-2-C](#) [696683-1](#) [696834-1](#) [696861-1](#) [696931-1](#) [696999-1](#) [M8-516RK](#) [M86700006](#) [MA250DMFMX-A](#) [701-2007](#) [701-2307](#) [701-7761-03](#) [70F-110-32-PB](#) [718-N-A](#) [71M-187-20-NBL](#) [71M-250-32-NBL](#) [72F-187-20-NBL](#) [72M-250-32-NBL](#) [7310](#) [73F-250-32](#) [73F-250-32-NL](#) [F14-10C](#) [F-1M](#) [751-250](#) [76650-5002](#) [76828-149](#)