

THIS DRAWING IS UNPUBLISHED.

RELEASED FOR PUBLICATION


ALL RIGHTS RESERVED.

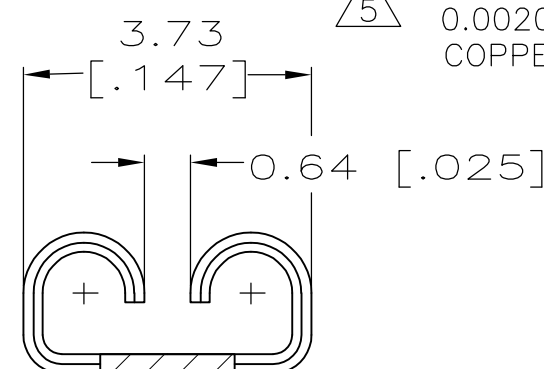
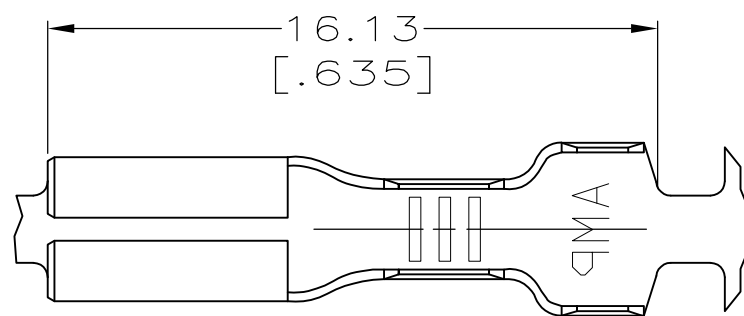
© COPYRIGHT - By -

LOC AF DIST 50

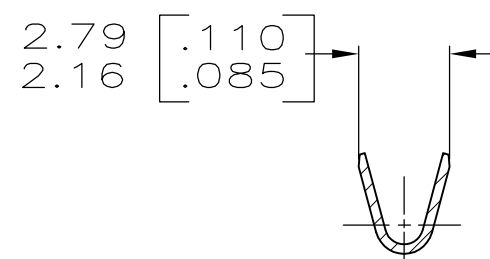
REVISIONS

P	LTR	DESCRIPTION	DATE	DWN	APVD
D		REVISED PER ECR-12-013459	27NOV2012	KH	PD

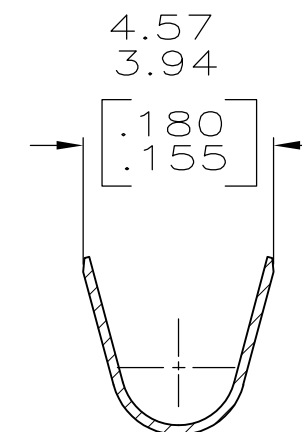
- CONTINUOUS STRIP ON REELS.
- MATING TAB THK IS 0.81 ± 0.025 [$.032 \pm .001$].
- WIRE SIZE IS [#22-#18] AWG.
- INSULATION RANGE IS 2.29-3.30 [$.090-.130$] DIA.
-  0.002032 [$.000080$] MIN TIN OVER COPPER



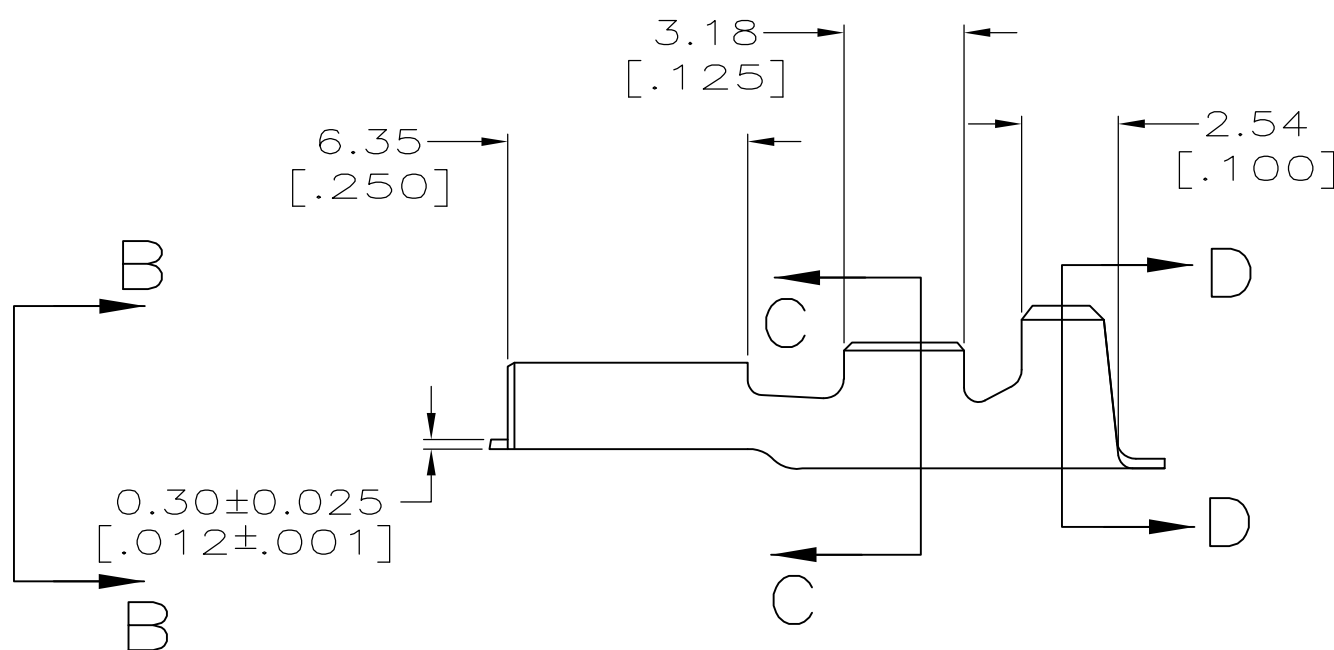
VIEW B-B
SCALE 10:1



SECTION C-C





SECTION D-D



0.30 ± 0.025 [$.012 \pm .001$]

63021-1
PART NO.

THIS DRAWING IS A CONTROLLED DOCUMENT.		DWN JR RUTH 5/23/97	 TE Connectivity		
DIMENSIONS: mm [INCHES]		CHK P FORTNEY 5/23/97			
TOLERANCES UNLESS OTHERWISE SPECIFIED:		APVD P DESANTIS 5/23/97	NAME		
0 PLC ± -		PRODUCT SPEC	RECEPTACLE, FASTON, 2.79 [.110] SERIES		
1 PLC ± -		APPLICATION SPEC	SIZE	CAGE CODE	DRAWING NO
2 PLC ± 0.38 [.015]		WEIGHT -	A3	00779	C-63021
3 PLC ± -		CUSTOMER DRAWING	SCALE	SHEET	REV
4 PLC ± -			5:1	1 OF 1	D
ANGLES ± -					
MATERIAL BRASS		FINISH 			

X-ON Electronics

Largest Supplier of Electrical and Electronic Components

Click to view similar products for [Terminals](#) category:

Click to view products by [TE Connectivity](#) manufacturer:

Other Similar products are found below :

[HT-13-10](#) [71M-250-32-NB](#) [01-2065-1-0216](#) [00581P0075](#) [M10-10RX](#) [M10BCK](#) [60205-1](#) [604200-1](#) [60598-1-CUT-TAPE](#) [60617-1-C](#) [60873-1](#) [M14-516R/SK](#) [M14-6RSX](#) [M18-8FBX](#) [M18-8R/LX](#) [M18BCK](#) [61314-6-C](#) [61-S](#) [61-SN-A](#) [62-NBM-A](#) [63-S](#) [640179-1](#) [640917-2-CUT-TAPE](#) [6501550002](#) [66107-2-C](#) [696683-1](#) [696834-1](#) [696861-1](#) [696931-1](#) [696999-1](#) [M8-516RK](#) [M86700006](#) [MA250DMFMX-A](#) [701-2007](#) [701-2307](#) [701-7761-03](#) [70F-110-32-PB](#) [718-N-A](#) [71M-187-20-NBL](#) [71M-250-32-NBL](#) [72F-187-20-NBL](#) [72M-250-32-NBL](#) [7310](#) [73F-250-32](#) [73F-250-32-NL](#) [F14-10C](#) [F-1M](#) [751-250](#) [76650-5002](#) [76828-149](#)