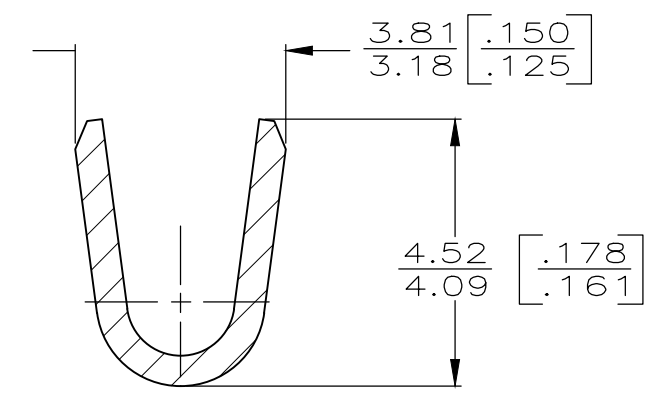
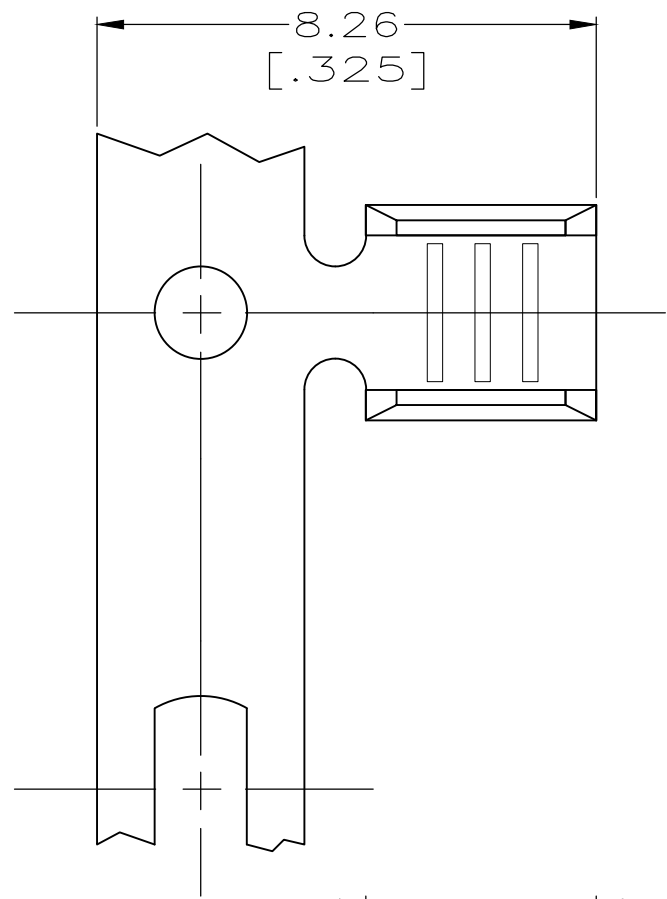
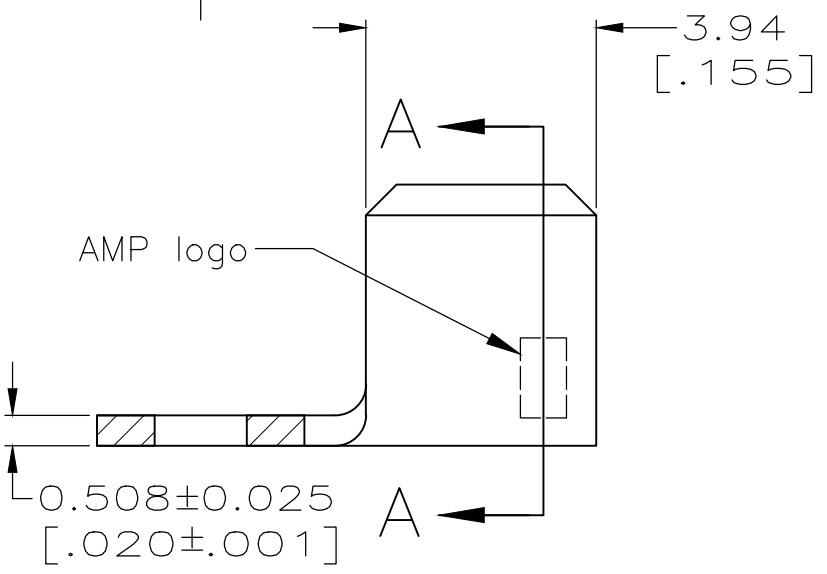


THIS DRAWING IS UNPUBLISHED. RELEASED FOR PUBLICATION  
 © COPYRIGHT - By - ALL RIGHTS RESERVED.

LOC	DIST	REVISIONS					
		P	LTR	DESCRIPTION	DATE	DWN	APVD
AF	50		L7	REVISED PER ECR-20-009967	20JUL20	DT	EW



SECTION A-A  
SCALE 10:1



- 1 PRODUCT PROVIDED IN STRIP FORM ON REELS, BREAKS MAY BE PRESENT.
- 3 CRIMP WIDTH, .110 F TYPE  
CRIMP HEIGHT (±.002) = ( TOTAL CMA + 11,300 ) / 176,700
- 4 PRELIMINARY - NOT FOR PRODUCTION.
- 5 WIRE RANGE FOR NEW APPLICATIONS: 1500-5000 CMA (WIRE RANGE APPROVED FOR APPLICATIONS IMPLEMENTED PRIOR TO 2005: 1970-4940 CMA).
- 6 OBSOLETE PARTS: OBSOLETE CIS STREAMLINING PER D.RENAUD/D.SINISI
- 7 CUSTOMER SPECIAL PACKAGING AND LABELING

MATERIAL	FINISH	REELING	WIRE RANGE	PART NUMBER
7 BRASS	TIN	REVERSE		63130-9
STEEL	NICKEL			4 63130-8
6 OBSOLETE COPPER-NICKEL	NONE			4 63130-7
6 OBSOLETE PHOS BRONZE	TIN	STANDARD		5 63130-4
BRASS	NONE			3 63130-3
OBSOLETE				63130-2
				63130-1

THIS DRAWING IS A CONTROLLED DOCUMENT.

DWN	17/JAN/96	<b>STE</b> TE Connectivity		
CHK	17/JAN/96			
APVD	17/JAN/96	NAME		
JEFF R RUTH				
DENNIS SCHWENK				
PRODUCT SPEC		SPLICE		
APPLICATION SPEC				
114-2088	SIZE	CAGE CODE	DRAWING NO	RESTRICTED TO
WEIGHT	A3	00779	C-63130	
CUSTOMER DRAWING	SCALE	8:1	SHEET	1 OF 1
			REV	L7

DIMENSIONS:	TOLERANCES UNLESS OTHERWISE SPECIFIED:
INCHES	
0 PLC	± -
1 PLC	± -
2 PLC	± 0.25 [.010]
3 PLC	± -
4 PLC	± -
ANGLES	± -
MATERIAL	FINISH
SEE TABLE	SEE TABLE

## X-ON Electronics

Largest Supplier of Electrical and Electronic Components

*Click to view similar products for [Terminals](#) category:*

*Click to view products by [TE Connectivity](#) manufacturer:*

Other Similar products are found below :

[00-054007-01074-6](#) [00-054007-70206-1](#) [00-054007-70210-8](#) [00-054007-70217-7](#) [00-054007-70226-9](#) [00-054007-70228-3](#) [00-054007-70248-1](#) [00-054007-70256-6](#) [00-054007-70301-3](#) [00-054007-70316-7](#) [00-054007-49560-4](#) [00-054007-70209-2](#) [00-054007-70225-2](#) [00-054007-70227-6](#) [00-054007-70231-3](#) [00-054007-70241-2](#) [00-054007-70242-9](#) [00-054007-70244-3](#) [00-054007-70246-7](#) [00-054007-70263-4](#) [00-054007-70288-7](#) [00-054007-70290-0](#) [00-054007-70300-6](#) [00-054007-70304-4](#) [01-2065-1-0216](#) [01-2900-1-04412](#) [00581P0075](#) [600TS-10](#) [60205-1](#) [604200-1](#) [605601-1](#) [60598-1-CUT-TAPE](#) [61314-6-C](#) [61810-3](#) [61-S](#) [61-SN](#) [626-0194](#) [62-NBM-A](#) [62-SN](#) [62-SP](#) [63-S](#) [640179-1](#) [M55155/059I03](#) [M55155/079C01](#) [M55155/099H02](#) [M55155/109H01](#) [M55155/109H02](#) [M55155/12XH05](#) [M55155/16XH02](#) [M55155/29-5S](#)