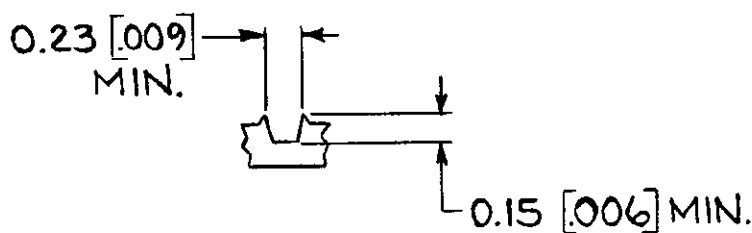
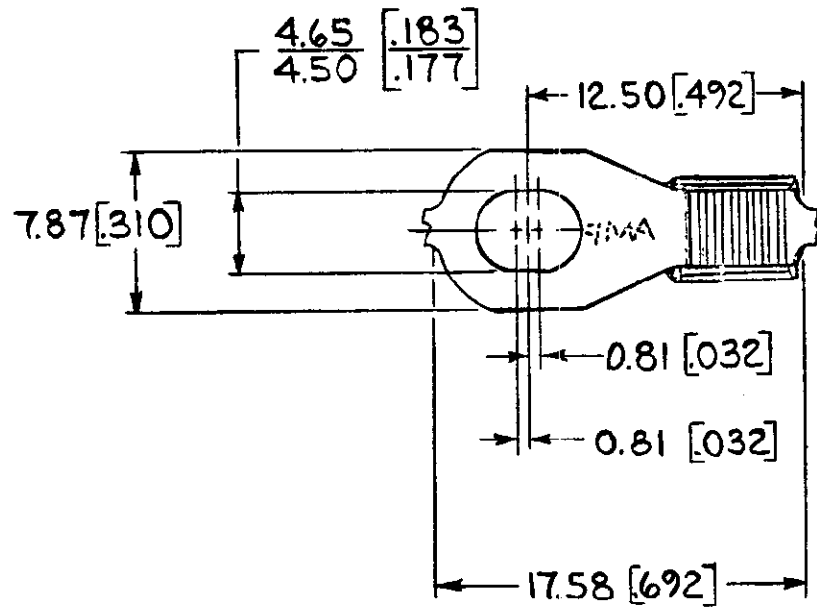
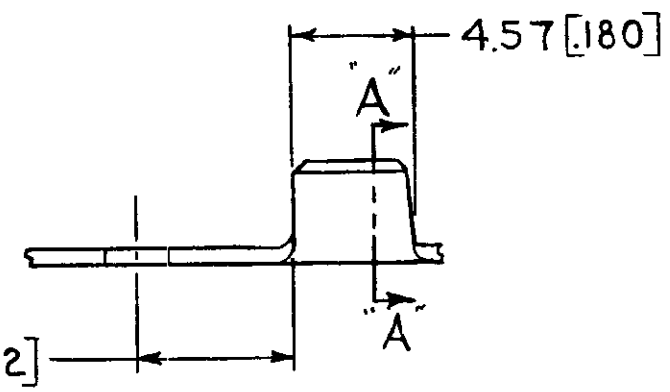
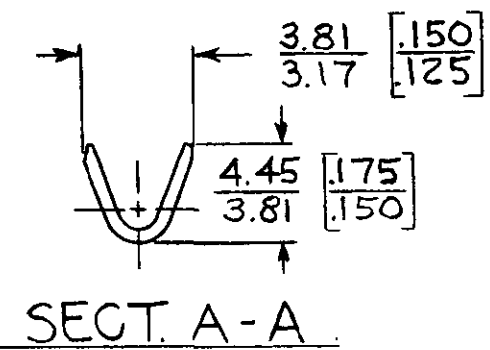


THIS DRAWING IS UNPUBLISHED. RELEASED FOR PUBLICATION, 19
 © COPYRIGHT 1981 BY AMP INCORPORATED, HARRISBURG, PA. ALL INTERNATIONAL RIGHTS RESERVED. AMP PRODUCTS MAY BE COVERED BY U.S. AND FOREIGN PATENTS AND/OR PATENTS PENDING.

		REVISIONS				
P	F	ZONE	LTR	DESCRIPTION	DATE	APPROVED
/	/			PER ECN A-5035		
/	/	A		REVISED PER A-5059	7-1-81	RLS/RPF 7-1-81
/	/	B		RELEASED FROM PROD. ADDED .190/.165	12-17-81	RLS/GY
/	/	C		REVISED PER A-5347	1-26-82	SS/GY
/	/	D		RELEASED FROM PROD.	2-18-82	RLS/
/	/	E		ADDED -2 PER TTI 85/97	6/10/85	SS/GY
/	/	F		OBSOLETE -2 PER 0710-0273-96	12/1/85	PmE 44



SERRATION DETAIL APPLIES ONLY AT STRAIGHT PORTION ON SIDE OF BARREL.



NOTE:

- 1. CONTINUOUS STRIP ON REELS.
- 2. DIMS. IN BRACKETS ARE IN INCHES.

OBSOLETE	FIN	1.19-1.78 mm DIA #17-#13 1/2	63147-2
	NONE	1.19-1.78 mm DIA #17-#13 1/2	63147-1
	FINISH	WIRE RANGE	PART NO

UNLESS OTHERWISE SPECIFIED DIMENSIONS ARE IN INCHES mm TOLERANCES ON: DECIMALS ± 0.38 [.015] ANGLES ±	CONTRACT NO		AMP INCORPORATED Harrisburg, Pa.	
	DR <i>R.L. Smyers</i> 5-27-81	CHK <i>G Yetter</i> 4/22/81		
MATERIAL 0.51 [.020] THK. BRASS	APPD <i>R.P. Frantz</i> 6-22-81	APPD <i>E. Rode</i> 6-22-81	RING-AMPLIVAR 7 SERRATION	
FINISH SEE TABLE	DSGN APPD	OTHER APPD	SIZE B	FSCM NO 00779
			DRAWING NO 63147	SHEET

METRIC

X-ON Electronics

Largest Supplier of Electrical and Electronic Components

Click to view similar products for [Terminals](#) category:

Click to view products by [TE Connectivity](#) manufacturer:

Other Similar products are found below :

[HT-13-10](#) [71M-250-32-NB](#) [01-2065-1-0216](#) [00581P0075](#) [M10-10RX](#) [M10BCK](#) [60205-1](#) [604200-1](#) [60598-1-CUT-TAPE](#) [60617-1-C](#) [60873-1](#) [M14-516R/SK](#) [M14-6RSX](#) [M18-10FLX](#) [M18-8FBX](#) [M18-8R/LX](#) [M18BCK](#) [61314-6-C](#) [61-S](#) [61-SN-A](#) [62-NBM-A](#) [63-S](#) [640179-1](#) [640917-2-CUT-TAPE](#) [6501550002](#) [66107-2-C](#) [696683-1](#) [696834-1](#) [696861-1](#) [696931-1](#) [696999-1](#) [M8-516RK](#) [M86700006](#) [MA250DMFMX-A](#) [701-2007](#) [701-2307](#) [701-7761-03](#) [70F-110-32-PB](#) [718-N-A](#) [71M-187-20-NBL](#) [71M-250-32-NBL](#) [72F-187-20-NBL](#) [72M-250-32-NBL](#) [7310](#) [73F-250-32](#) [73F-250-32-NBL](#) [73F-250-32-NL](#) [F14-10C](#) [F-1M](#) [751-250](#)