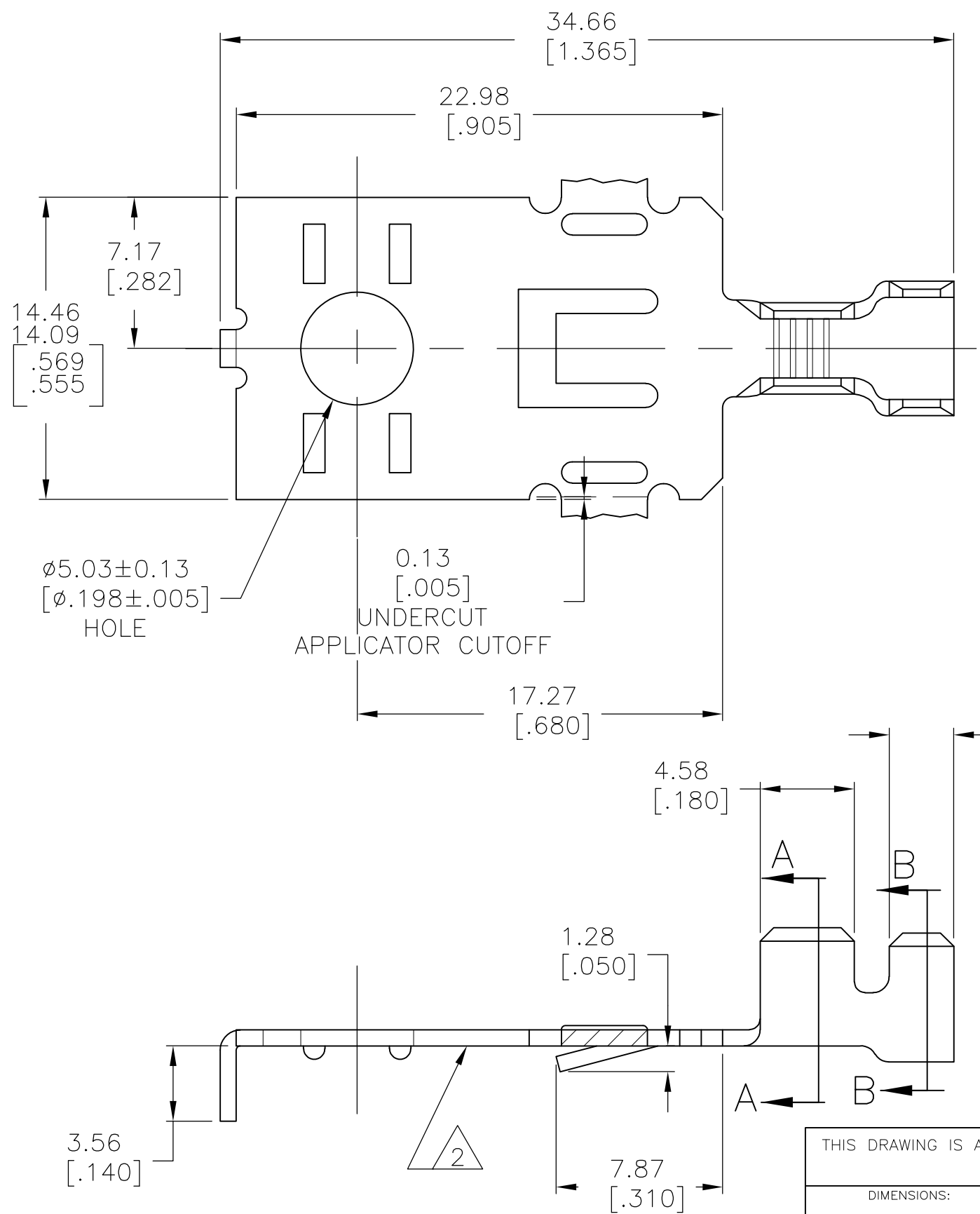
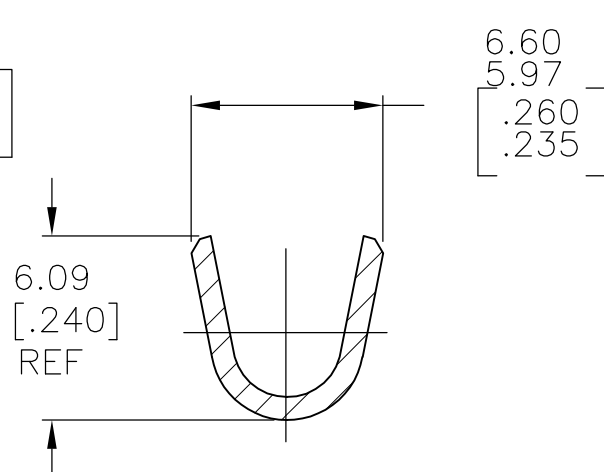
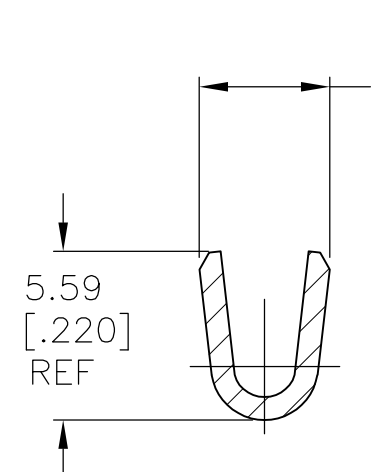


THIS DRAWING IS UNPUBLISHED. RELEASED FOR PUBLICATION
 © COPYRIGHT BY TYCO ELECTRONICS CORPORATION. ALL RIGHTS RESERVED.

LOC	DIST	REVISIONS					
		P	LTR	DESCRIPTION	DATE	DWN	APVD
AF	50		F	REVISED PER ECR-08-007741	08JUL08	HMR	GJ



- 1 CONTINUOUS STRIP ON REELS
- 2 VERTICAL BURRS NOT TO EXCEED .005 ALONG THIS EDGE.
- 3 REELED WITH WIRE BARREL OPENING FACING THE CORE
- 4 WIRE SIZE IS #16-#12 AWG OR 2X #14 AWG, [1.25mm² - 3.0mm² OR 2X 2.0mm²]
- 5 INSULATION RANGE IS 2.79 - 4.06 [.110-.160] DIA.



SECTION A-A

SECTION B-B

OBSOLETE	PRE-TIN	63166-5
	-	63166-4
	PRE-TIN	63166-3
	FINISH	PART NO.

THIS DRAWING IS A CONTROLLED DOCUMENT.

DIMENSIONS: mm [INCHES]	TOLERANCES UNLESS OTHERWISE SPECIFIED:
	0 PLC ± -
	1 PLC ± -
	2 PLC ± 0.25[.010]
	3 PLC ± -
	4 PLC ± -
	ANGLES ± 1°
MATERIAL BRASS, 1/2 HARD	FINISH SEE TABLE

DWN JR RUTH 28JAN03		Tyco Electronics Corporation Harrisburg, Pa 17105-3608	
CHK D DECKER 28JAN03		NAME	
APVD D DECKER 28JAN03	PRODUCT SPEC 108-1191		RESTRICTED TO -
	APPLICATION SPEC 114-2087		
WEIGHT -	SIZE A3	CAGE CODE 00779	DRAWING NO G-63166
CUSTOMER DRAWING		SCALE 4:1	SHEET 1 OF 1
		REV F	

X-ON Electronics

Largest Supplier of Electrical and Electronic Components

Click to view similar products for [Terminals](#) category:

Click to view products by [TE Connectivity](#) manufacturer:

Other Similar products are found below :

[HT-13-10](#) [71M-250-32-NB](#) [01-2065-1-0216](#) [00581P0075](#) [M10-10RX](#) [M10BCK](#) [60205-1](#) [604200-1](#) [60598-1-CUT-TAPE](#) [60617-1-C](#) [60873-1](#) [M14-516R/SK](#) [M14-6RSX](#) [M18-10FLX](#) [M18-8FBX](#) [M18-8R/LX](#) [M18BCK](#) [61314-6-C](#) [61-S](#) [61-SN-A](#) [62149-1](#) [62-NBM-A](#) [63-S](#) [640179-1](#) [640917-2-CUT-TAPE](#) [6501550002](#) [66107-2-C](#) [66107-4-C](#) [696683-1](#) [696834-1](#) [696861-1](#) [696931-1](#) [696999-1](#) [M8-516RK](#) [M86700006](#) [MA250DMFMX-A](#) [701-2007](#) [701-2307](#) [701-7761-03](#) [70F-110-32-PB](#) [718-N-A](#) [71M-187-20-NBL](#) [71M-250-32-NBL](#) [72F-187-20-NBL](#) [72M-250-32-NBL](#) [7310](#) [73F-250-32](#) [73F-250-32-NBL](#) [73F-250-32-NL](#) [F-1M](#)