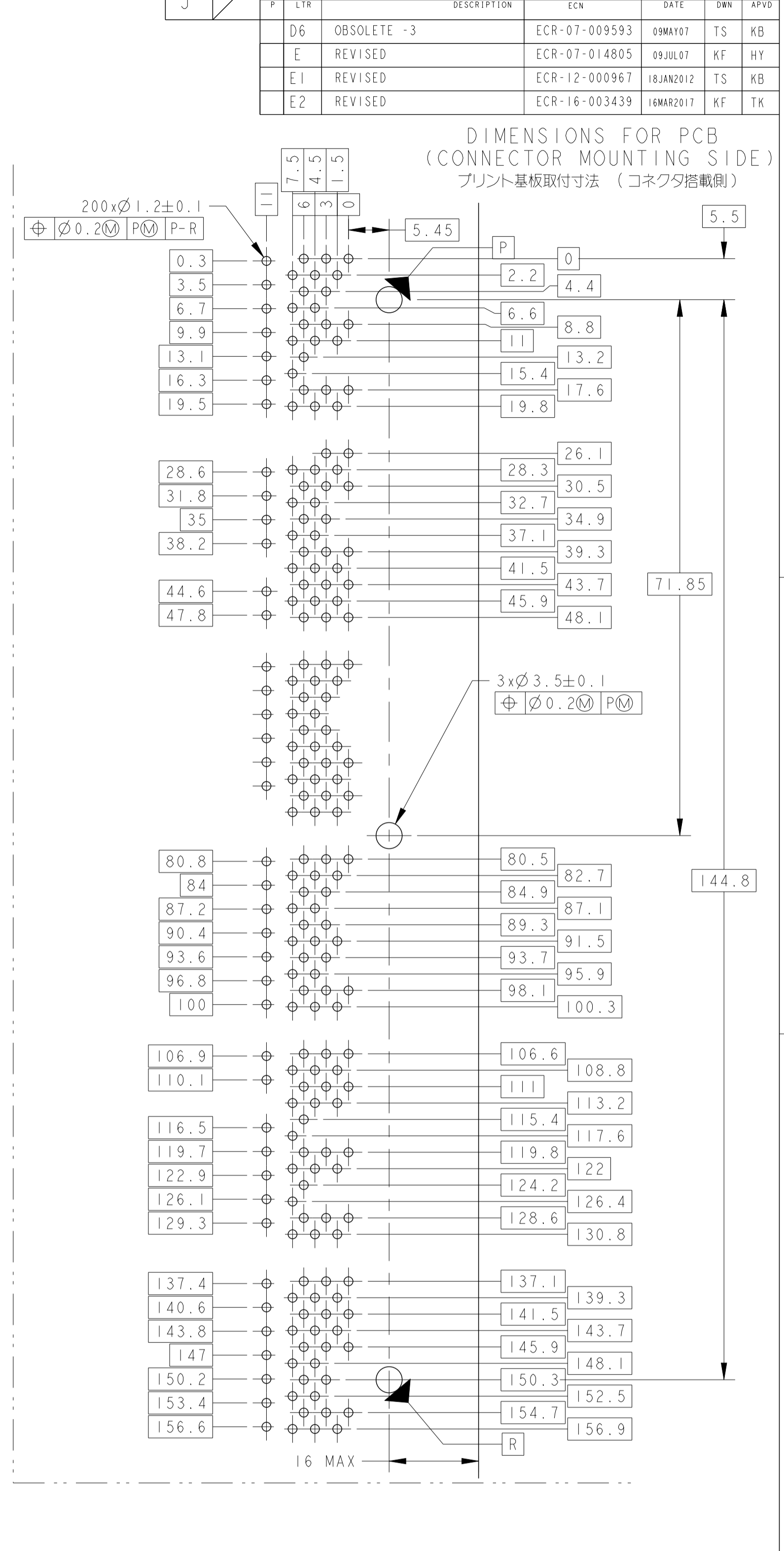
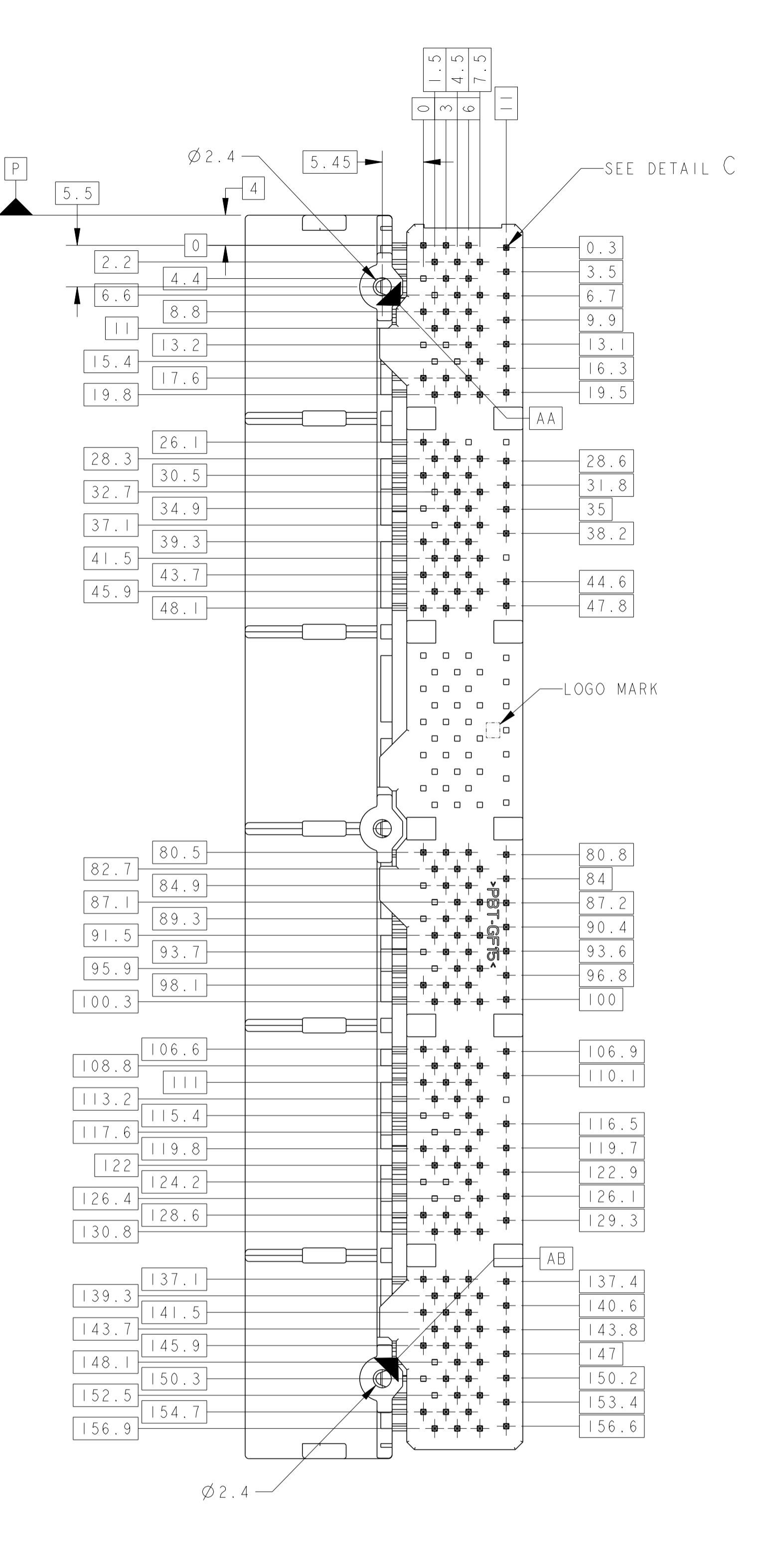
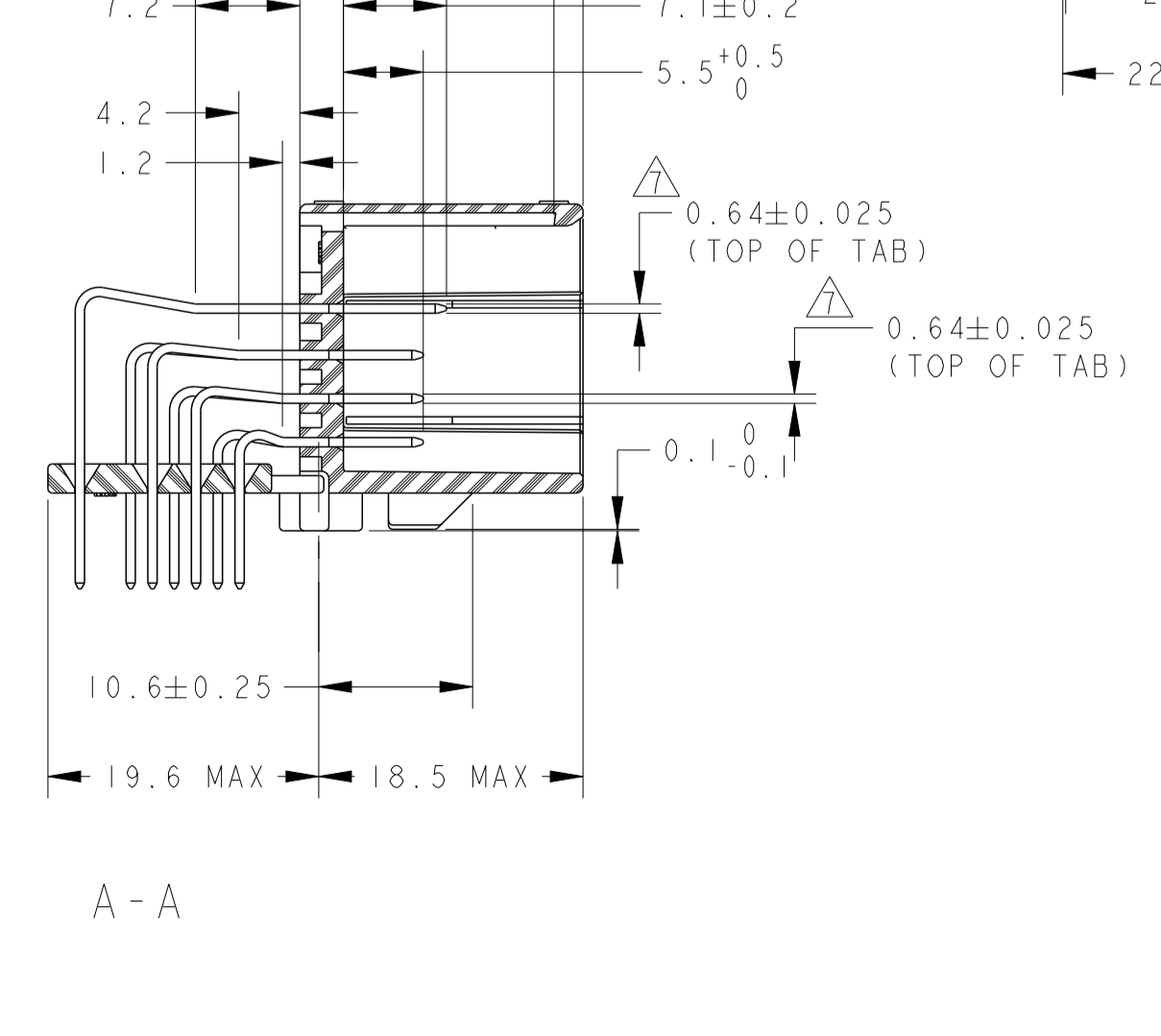
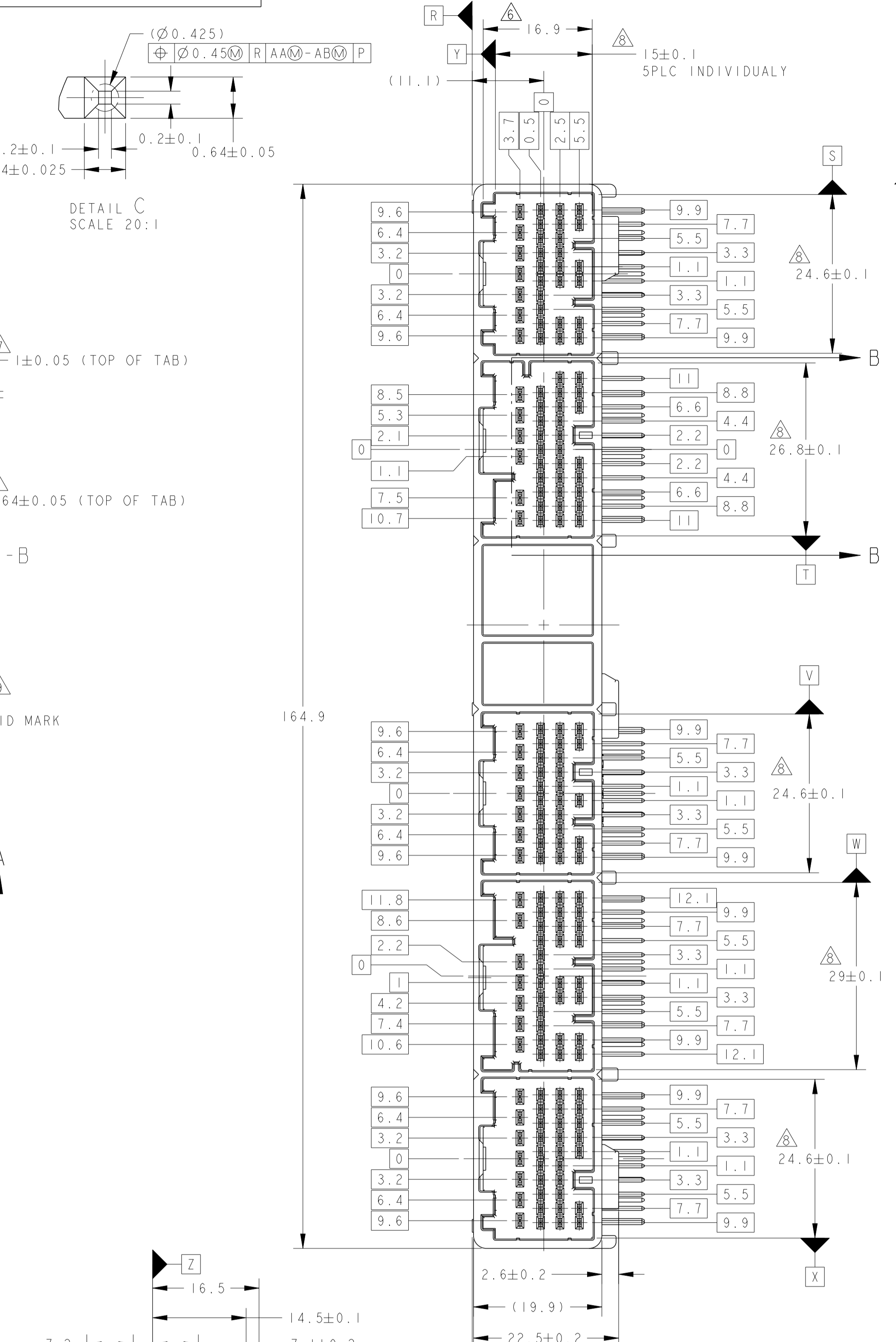
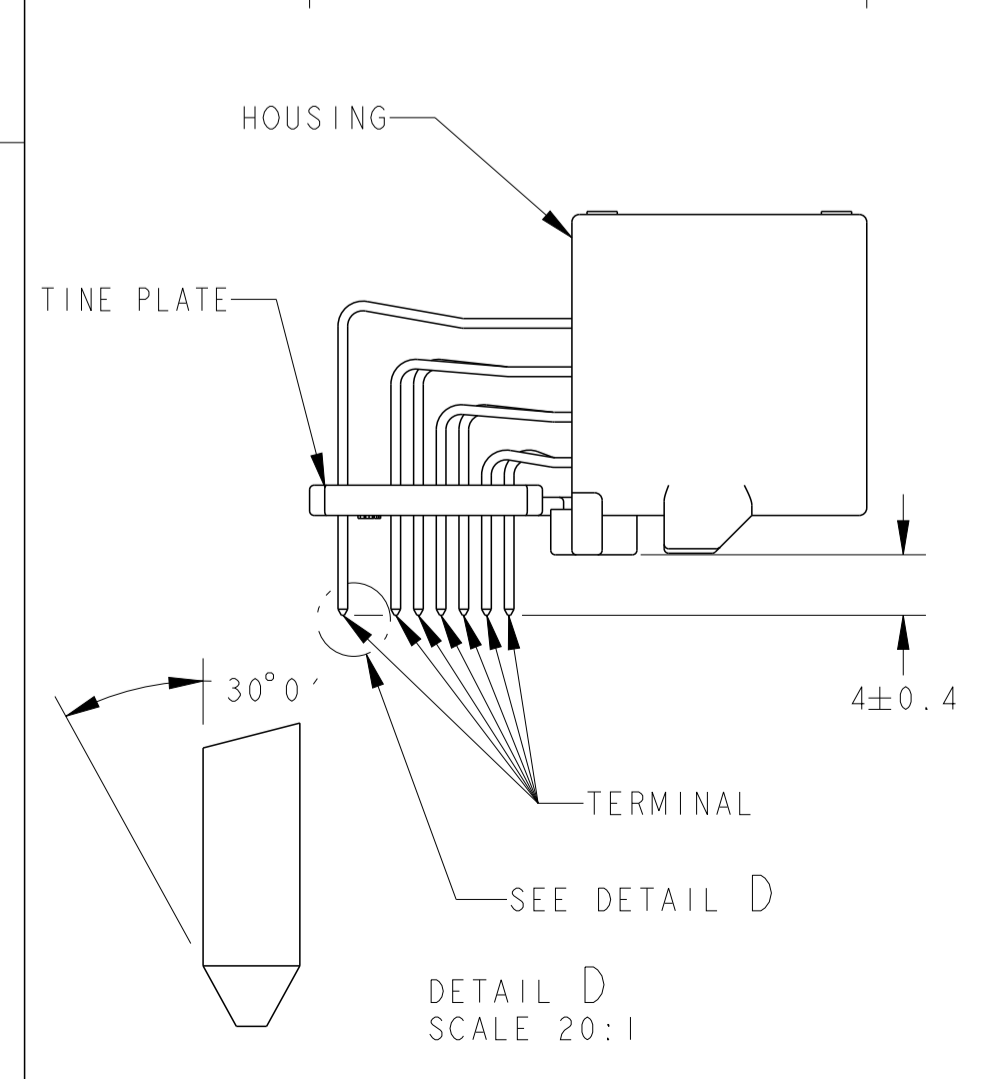
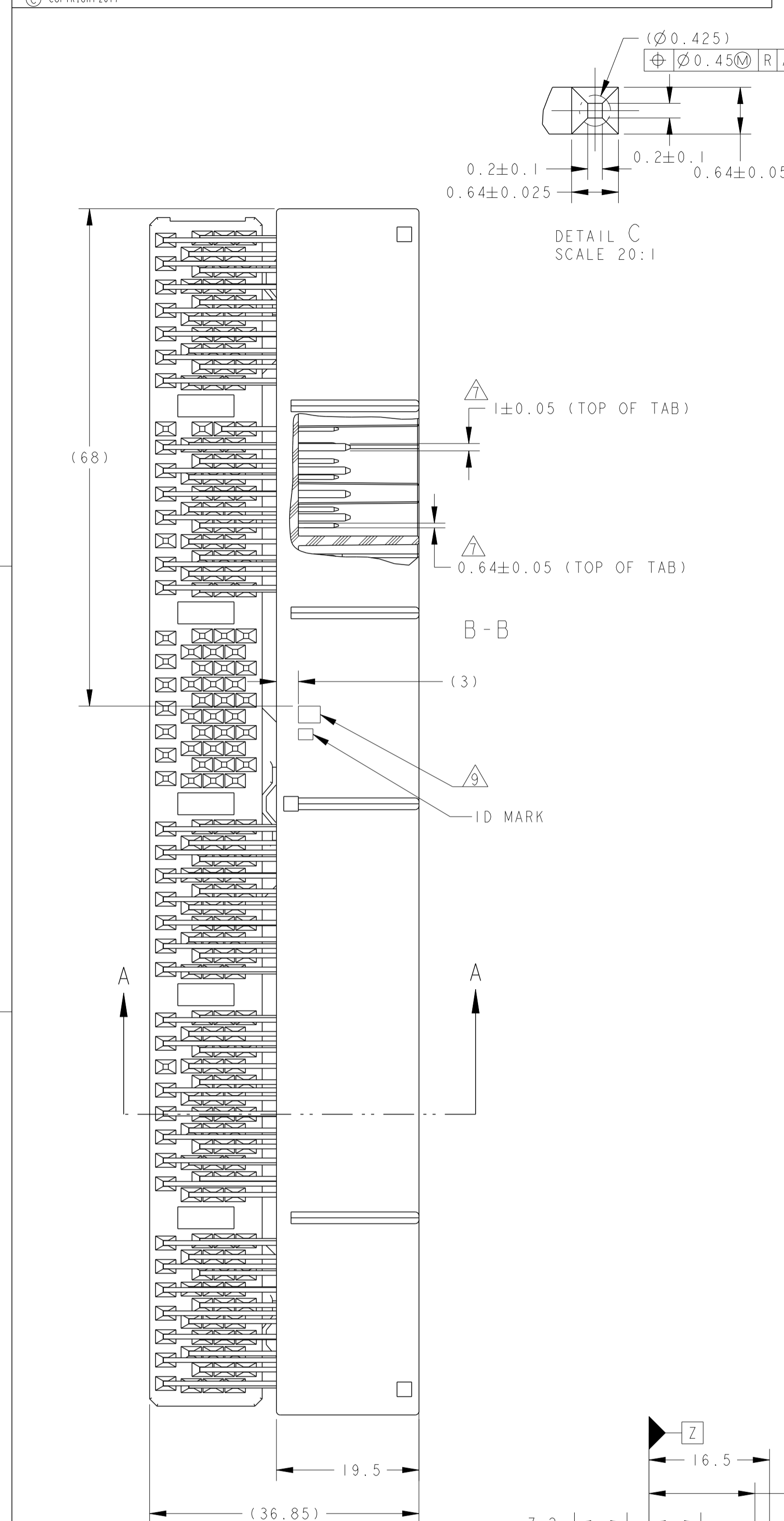


LOC	DIST	REV	DESCRIPTION	ECN	DATE	OWN	APVD
J		D6	OBSOLETE -3	ECR-07-009593	09MAY07	TS	KB
		E	REVISED	ECR-07-014805	09JUL07	KF	HY
		E1	REVISED	ECR-12-000967	18JAN2012	TS	KB
		E2	REVISED	ECR-16-003439	16MAR2017	KF	TK



1. 嵌合相手ハウジング型番: TABLE-1参照
2. パワ回路(32極): FIG-1参照
3. 回路番号: FIG-1参照
4. 推奨取り付け: JIS B1115, B1122タッピングねじ, ねじ2種, 締め3, 長さ: TABLE-1参照
5. ねじ締めトルク: 0.392N·m MAX
6. Zの2mmの位置で測定
7. 0.3(Z) Y(DTM) 組し, 3次DTMについては, S, T, V, W, Xを各々のブロック毎に適用すること
8. Zの7.5mmの位置で測定
9. コンタクト仕上識別用マーク: 表参照
10. 取扱説明書 NO.: 411-5932

1. PART NO OF PLUG HOUSINGS TO BE MATED: SEE TABLE 1
2. POWER CIRCUITS (32); SEE FIG-1
3. CIRCUIT NUMBERS: SEE FIG-1
4. RECOMMENDED SCREW: PAN-HEADED, TYPE 2 TAPPING SCREW, NOMINAL DIAMETER 3mm LENGTH; SEE TABLE-1 (JIS B1115, B1122).
5. FASTENING TORQUE FOR SCREW: 0.392N·m MAX.
6. MEASURED AT 2mm FROM Z
7. 0.3(Z) Y(DTM) TERTIARY DATUM: S, T, V, W, X OF EACH BLOCK.
8. MEASURED AT 7.5mm FROM Z
9. MARKING FOR DESCERNMENT OF THE CONTACT FINISH; SEE TABLE 10.
10. INSTRUCTION SHEET NO.: 411-5932

プリント基板厚 (mm) THICKNESS OF PCB (mm)	1.2	1.6
固定用ねじ着下長さ (mm) NOMINAL LENGTH OF SCREW (mm)	5	6

THIS DRAWING IS A CONTROLLED DOCUMENT.

OWNER: H. FURUYAMA	DATE: 10FEB2000	REV: 025/040 EFL ECU CONNECTOR
CHK: N. SAI	DATE: 10FEB2000	167 POSITION CAP HOUSING ASSEMBLY
APVD: N. SAI	DATE: 10FEB2000	SIZE: A1
PRODUCT SPEC: 08-5674	APPLICATION SPEC: 114-5217, 5250	WEIGHT: 53.1 g
MATERIAL: PBT GF15 BRASS	FINISH: SEE TABLE	CUSTOMER DRAWING

TE Connectivity

114-5217, 5250

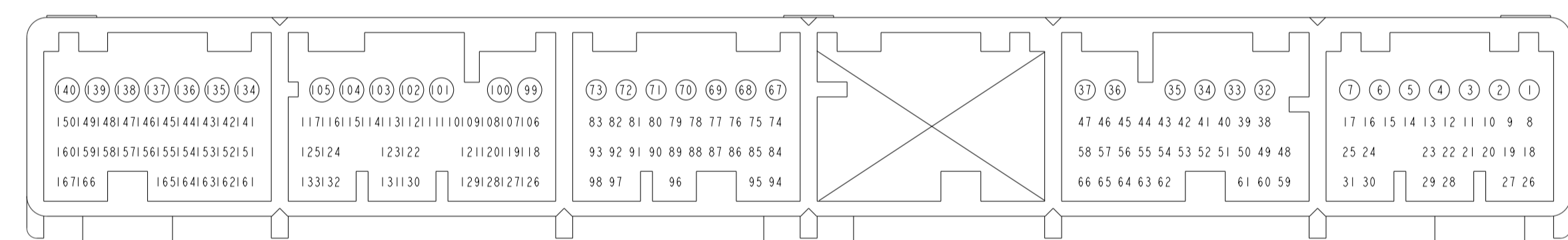
00779

1318813

2:1 SHEET 1 OF 3 REV E2

THIS DRAWING IS UNPUBLISHED. RELEASED FOR PUBLICATION 2017  
 © COPYRIGHT 2017 ALL RIGHTS RESERVED.

LOC	DIST	REVISIONS					
J	-	P	LYR	DESCRIPTION	DATE	DWN	APVD
				SEE SHEET 1 OF 3			



△ FIG 1 CIRCUIT NUMBERS ⑦⑩ ; 040 CONTACT

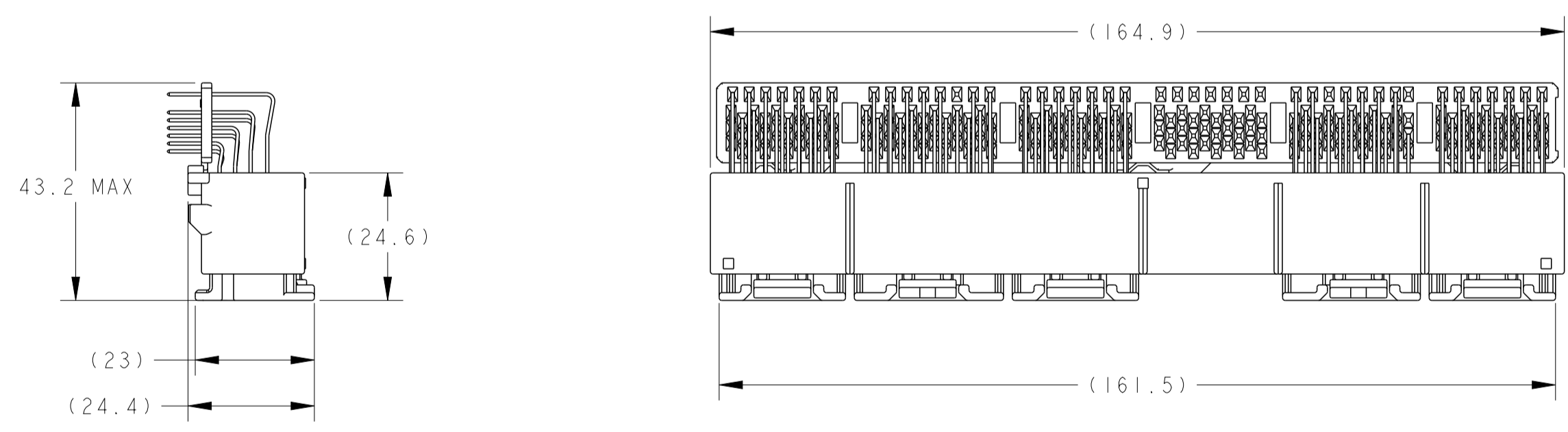
62	PLASTIC BOX 通い箱	PLASTIC TUBE プラスチックチューブ	SELECTIVE-TIN (MATTE)	SELECTIVE GOLD X 135 SERECTIVE-TIN X 32 (BRIGHT)	99,100	8-31,38-66,74-98, 106-133,141-167	GRAY (灰色)	6318813-6
62	PLASTIC BOX 通い箱	PLASTIC TUBE プラスチックチューブ	SELECTIVE-TIN (MATTE)	SELECTIVE GOLD X 135 SERECTIVE-TIN X 32 (BRIGHT)	99,100	8-31,38-66,74-98, 106-133,141-167	BLACK (黒色)	6318813-2
61	PAPER BOX ダンボール箱	PLASTIC TUBE プラスチックチューブ	SELECTIVE-TIN (MATTE)	SELECTIVE GOLD X 83 SERECTIVE-TIN X 84 (BRIGHT)	99,100	18-31,48-66,84-98, 118-133,151-167	NATURAL (自然色)	6318813-3
61	PLASTIC BOX 通い箱	PLASTIC TUBE プラスチックチューブ	SELECTIVE-TIN (MATTE)	SELECTIVE GOLD X 83 SERECTIVE-TIN X 84 (BRIGHT)	99,100	18-31,48-66,84-98, 118-133,151-167	NATURAL (自然色)	6318813-1
3	PLASTIC BOX 通い箱	PLASTIC TUBE プラスチックチューブ	SELECTIVE-TIN (MATTE)	SELECTIVE-TIN X 167 (BRIGHT)	-	-	NATURAL (自然色)	1318813-7
△ MARKING (マーキング)	OUTER 外表	INNER 内装	SOLDERING SIDE 半田付け部	CONTACT SIDE 接点部	040TAB	025 TAB	COLOR (色)	PART NUMBER (型番)
	PACKING STYLE 梱包形態		CONTACT FINISH (仕上げ)		△ GOLD PLATED CIRCUIT NO (金めっき回路番号)			

THIS DRAWING IS A CONTROLLED DOCUMENT. DIMENSIONS: 単位: mm. TOLERANCES UNLESS OTHERWISE SPECIFIED: ±0.3. DIMENSIONS: 単位: mm. TOLERANCES UNLESS OTHERWISE SPECIFIED: ±0.3.

APVD: N. SAI TOFEB2000. PRODUCT SPEC: SEE 1 OF 3. APPLICATION SPEC: SEE 1 OF 3. WEIGHT: SEE 1 OF 3. CUSTOMER DRAWING.

STE TE Connectivity. NAME: 025/040 EFI ECU CONNECTOR 167 POSITION CAP HOUSING ASSEMBLY. SIZE: A2. CAGE CODE: 00779. MARKING NO: 1318813. RESTRICTED TO: -. SCALE: 1:1. SHEET: 2 OF 3. REV: E2.

LOC	DIST	REV	DESCRIPTION	DATE	OWN	APVD
J	-		SEE SHEET 1 OF 3			



CAP ASSEMBLY & PLUG ASSEMBLY ENGAGEMENT DRAWING  
 キャップアセンブリ & プラグアセンブリ 嵌合図

TABLE-1

POSITION 位置	PART NUMBER 型番
34	1123337, 1674925
35	1123338, 1674558
32	1123339, 1674922
35	1123340, 1674928
31	1123341, 1674919

THIS DRAWING IS A CONTROLLED DOCUMENT.

DWN K. EURUYAMA	10FEB2000	<b>STE</b> TE Connectivity
CHK N. SAI	10FEB2000	
APVD N. SAI	10FEB2000	NAME 025/040 EFI ECU CONNECTOR 167P CAP HOUSING ASSY
DIMENSIONS: mm		PRODUCT SPEC SEE 1 OF 3
TOLERANCES UNLESS OTHERWISE SPECIFIED: 一般公差 = ± 0.3		APPLICATION SPEC SEE 1 OF 3
①-PLC ± 0.5	②-PLC ± 0.5	SIZE A3
③-PLC ± 0.13	④-PLC ± 0.04	CAGE CODE 00779
⑤-PLC ± 0.04	ANGLES ± 0° 00'	DRAWING NO C-1318813
MATERIAL SEE 1 OF 3	FINISH SEE 1 OF 3	WEIGHT SEE 1 OF 3
CUSTOMER DRAWING		RESTRICTED TO SCALE 1:1 SHEET 3 OF 3 REV E2

## X-ON Electronics

Largest Supplier of Electrical and Electronic Components

*Click to view similar products for [Automotive Connectors](#) category:*

*Click to view products by [TE Connectivity](#) manufacturer:*

Other Similar products are found below :

[003-018-000](#) [60403001](#) [60993906-B](#) [M902-2131](#) [M902-2161](#) [M902-2344](#) [72.330.1035.1](#) [73.353.4028.0](#) [F119300-B](#) [F166900](#) [F258300-B](#)  
[F358300-B](#) [F407400](#) [F444110](#) [F487000](#) [F509500B-B](#) [827153-1](#) [8N1515-32-24P](#) [9-1326729-8](#) [925474-1](#) [928905-1](#) [964562-4](#) [968782-1](#)  
[GT17SA-8DS-HU](#) [98891-1012](#) [98947-1016](#) [12004147](#) [12004475-L](#) [12010290](#) [12010309-B](#) [12015454](#) [12020219-B](#) [12041318-B](#) [12052225-](#)  
[L](#) [12052466](#) [12064869](#) [12004327-B](#) [12015308](#) [12015384](#) [12015909](#) [1-21030-1](#) [12041254](#) [12041318](#) [12047946-B](#) [12047957](#) [12047957-L](#)  
[12059473](#) [12066261](#) [12110546](#) [12110546-B](#)