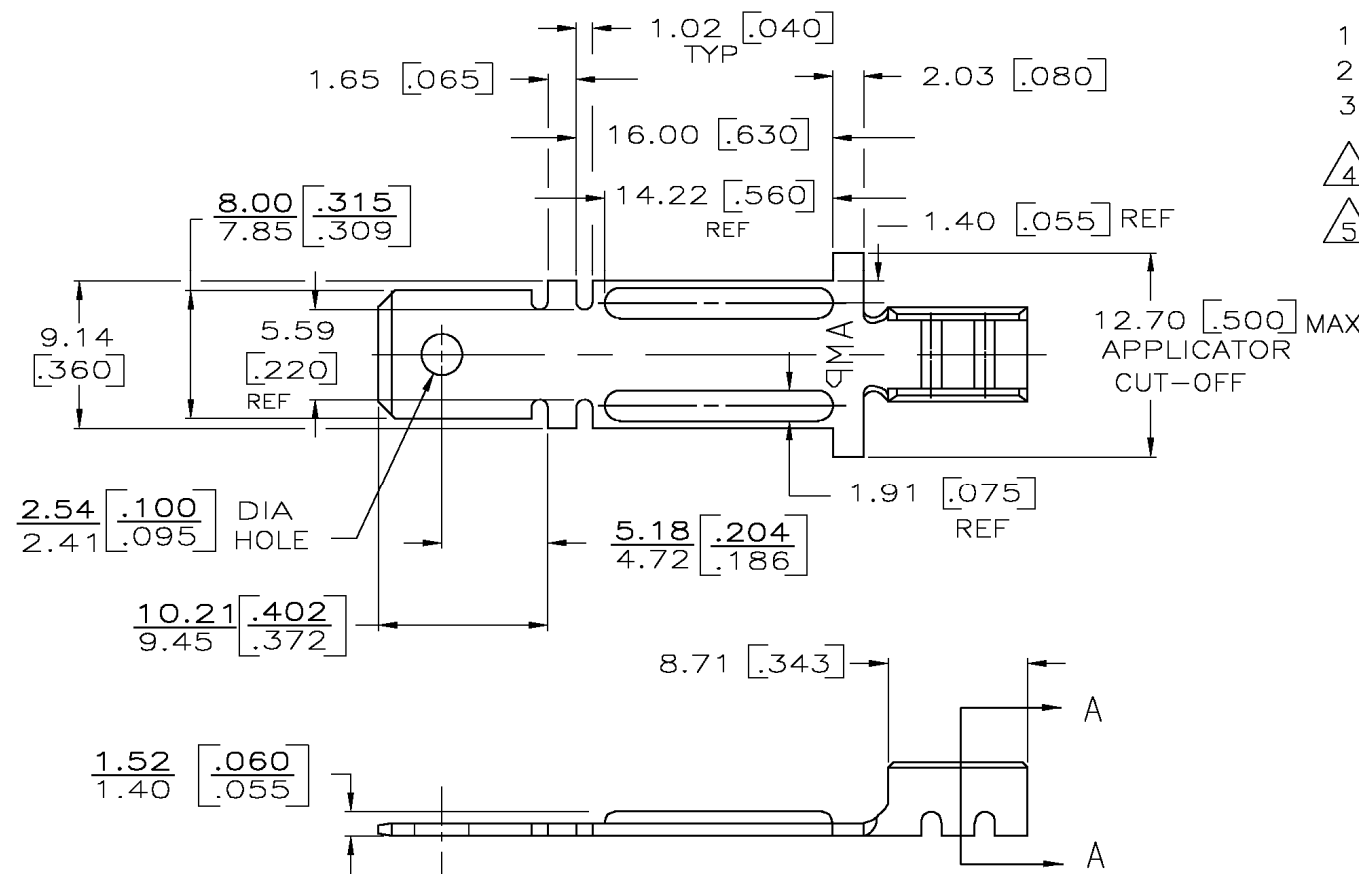
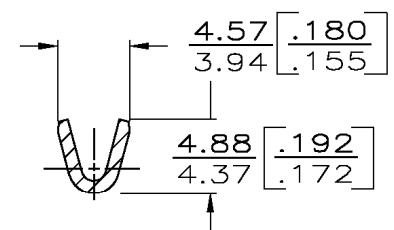


THIS DRAWING IS UNPUBLISHED. RELEASED FOR PUBLICATION
 © COPYRIGHT BY TYCO ELECTRONICS CORPORATION. ALL RIGHTS RESERVED.

LOC	DIST	REVISIONS					
AF	50	P	LTR	DESCRIPTION	DATE	DWN	APVD
		J1		REVISED PER ECR-17-008212	07JUN17	SC	RP



- 1 DIMENSIONS IN BRACKETS ARE IN INCHES.
- 2 CONTINUOUS STRIP ON REELS.
- 3 SEE SHEET 2 FOR SUGGESTED LOCKING IN CERAMIC.
- 4 REVERSE REELING OF 63300-1.
- 5 PRELIMINARY - NOT FOR PRODUCTION



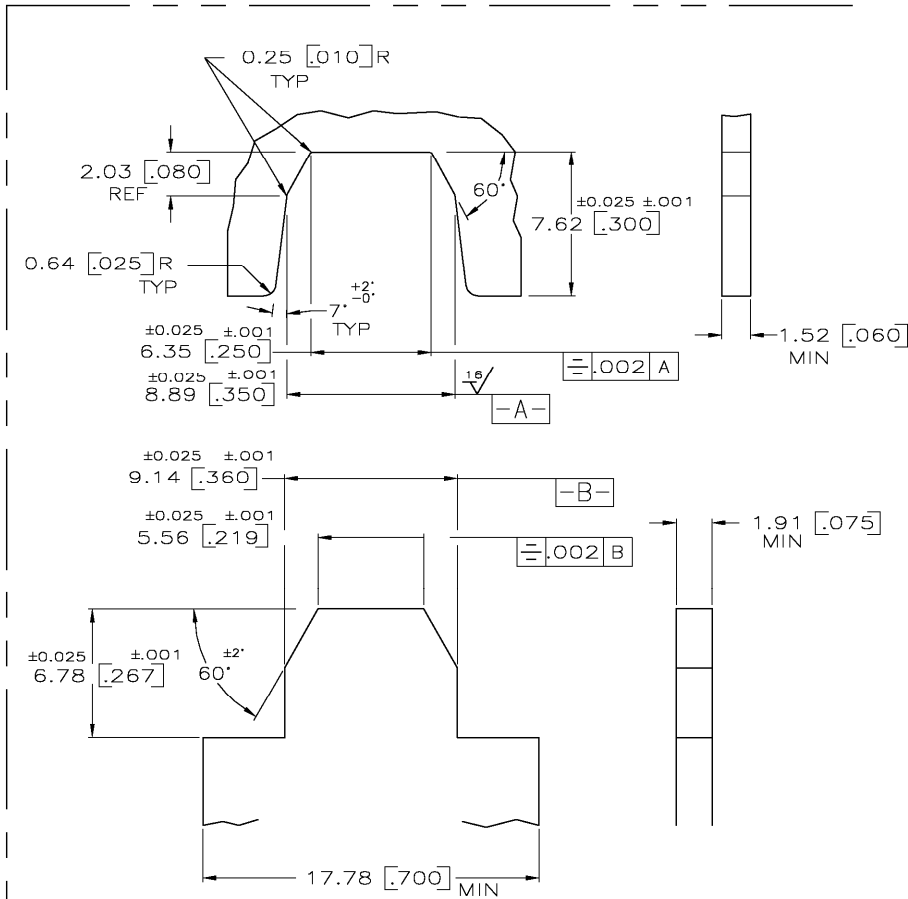
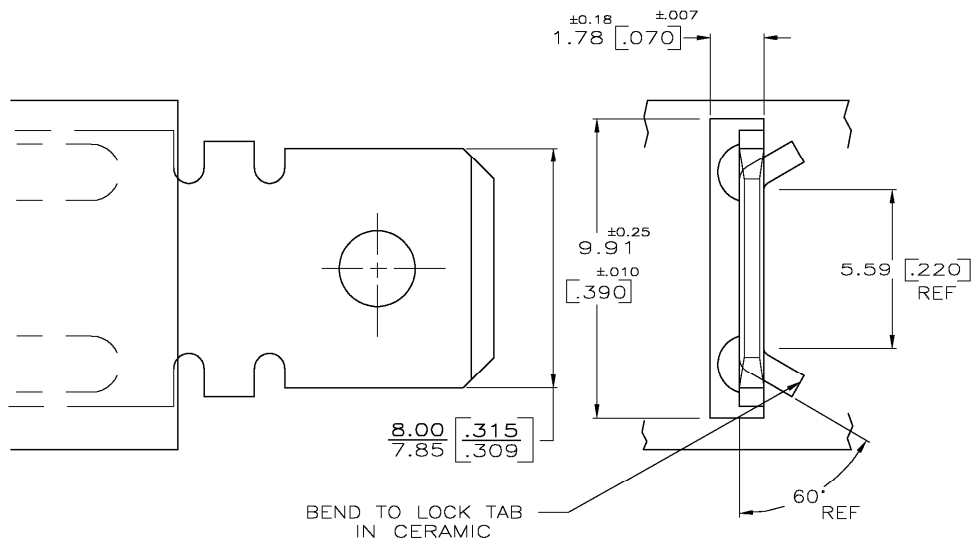
SECTION A-A

OBSOLETE

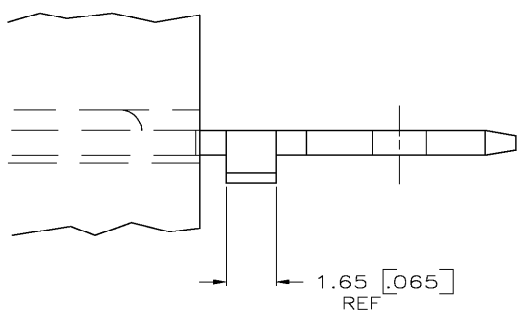
NICKEL	CR STEEL	[22 - 15] 0.30 - 1.45 MM DIA NI-CHROME	4	63300 - 4
TIN	H02 BRASS	[22 - 15] 0.30 - 1.45 MM DIA COPPER	5	63300 - 3
NICKEL	CR STEEL	[22 - 15] 0.30 - 1.45 MM DIA NI-CHROME		63300 - 2
NICKEL	CR STEEL	[22 - 15] 0.30 - 1.45 MM DIA NI-CHROME		63300 - 1
FINISH	MATERIAL	WIRE SIZE	PART NO.	
THIS DRAWING IS A CONTROLLED DOCUMENT.		DWN JR RUTH 5/9/86	tyco Tyco Electronics Corporation Harrisburg, Pa 17105-3608	
DIMENSIONS: MM [INCHES]		CHK G YETTER 5/20/86	NAME TAB, FASTON, .312 SERIES	
TOLERANCES UNLESS OTHERWISE SPECIFIED:		APVD R KUZO 5/20/86	PRODUCT SPEC	
0 PLC ± -		APPLICATION SPEC	RESTRICTED TO	
1 PLC ± -		114-2097	SIZE A3	CAGE CODE 00779
2 PLC ± -		WEIGHT -	DRAWING NO C=63300	SCALE 3:1
3 PLC ± 0.25[.010]		CUSTOMER DRAWING	SHEET 1 OF 2	REV J1
4 PLC ± -				
ANGLES ± -				
MATERIAL SEE TABLE	FINISH SEE TABLE			

THIS DRAWING IS UNPUBLISHED.
 RELEASED FOR PUBLICATION
 BY TYCO ELECTRONICS CORPORATION. ALL RIGHTS RESERVED.

LOC	DIST	REVISIONS			
P	LTR	DESCRIPTION	DATE	DWN	APVD
AF	50	SEE SHEET 1	-	-	-



CLINCHERS
 MATL: AISI 3250 Rc 53-55
 TOLERANCES: ±0.13 ±[005]



4	63300-4
5	63300-3
OBSOLETE	
	63300-2
	63300-1
	PART NO.

THIS DRAWING IS A CONTROLLED DOCUMENT.		DWN JR RUTH 5/12/86	Tyco Electronics Corporation Harrisburg, Pa 17105-3608	
DIMENSIONS: MM [INCHES]		CHK G YETTER 5/20/86	NAME TAB, FASTON, .312 SERIES	
TOLERANCES UNLESS OTHERWISE SPECIFIED: 0 PLC ± - 1 PLC ± - 2 PLC ± - 3 PLC ± 0.38 [.015] 4 PLC ± - ANGLES ± -		APVD R KUZO 5/20/86	PRODUCT SPEC	
MATERIAL SEE SHEET 1		FINISH SEE SHEET 1	APPLICATION SPEC 114-2097	RESTRICTED TO
CUSTOMER DRAWING		WEIGHT -	SIZE A2	CAGE CODE 00779
		DRAWING NO. 63300		SCALE 8:1
		SHEET 2 OF 2		REV J1

X-ON Electronics

Largest Supplier of Electrical and Electronic Components

Click to view similar products for [Terminals](#) category:

Click to view products by [TE Connectivity](#) manufacturer:

Other Similar products are found below :

[00-054007-01074-6](#) [00-054007-70206-1](#) [00-054007-70210-8](#) [00-054007-70217-7](#) [00-054007-70226-9](#) [00-054007-70228-3](#) [00-054007-70248-1](#) [00-054007-70256-6](#) [00-054007-70301-3](#) [00-054007-70316-7](#) [0-0320562-0](#) [00-054007-49560-4](#) [00-054007-70209-2](#) [00-054007-70225-2](#) [00-054007-70227-6](#) [00-054007-70231-3](#) [00-054007-70241-2](#) [00-054007-70242-9](#) [00-054007-70244-3](#) [00-054007-70246-7](#) [00-054007-70263-4](#) [00-054007-70288-7](#) [00-054007-70290-0](#) [00-054007-70300-6](#) [00-054007-70304-4](#) [01-2065-1-0216](#) [01-2900-1-04412](#) [00581P0075](#) [600TS-10](#) [60205-1](#) [604200-1](#) [605601-1](#) [60598-1-CUT-TAPE](#) [61314-6-C](#) [61810-3](#) [61-S](#) [61-SN](#) [626-0194](#) [62-NBM-A](#) [62-SN](#) [62-SP](#) [63-S](#) [640179-1](#) [M55155/059I03](#) [M55155/079C01](#) [M55155/099H02](#) [M55155/109H01](#) [M55155/109H02](#) [M55155/12XH05](#) [M55155/16XH02](#)