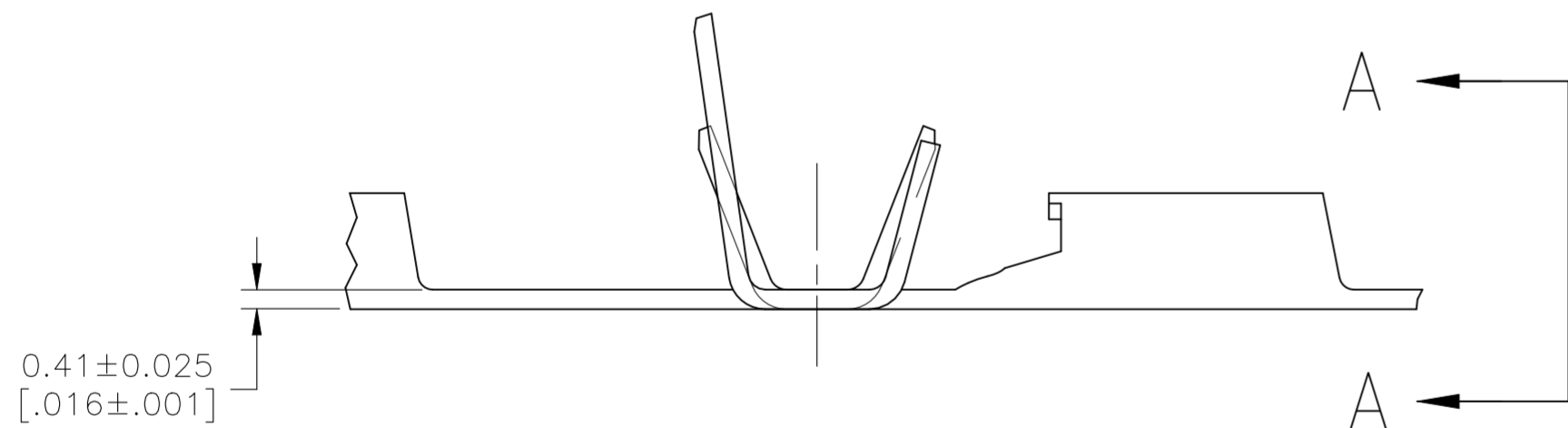
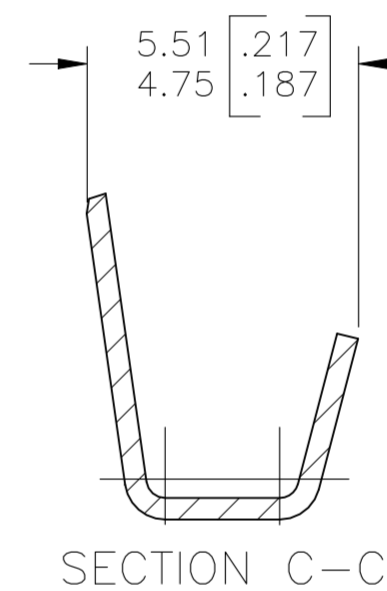
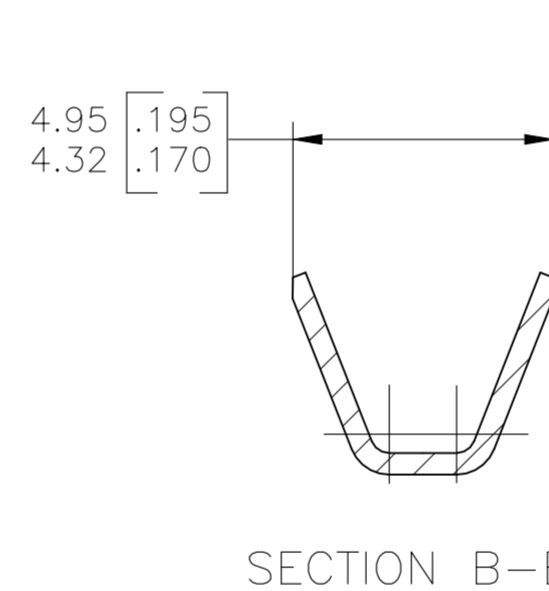
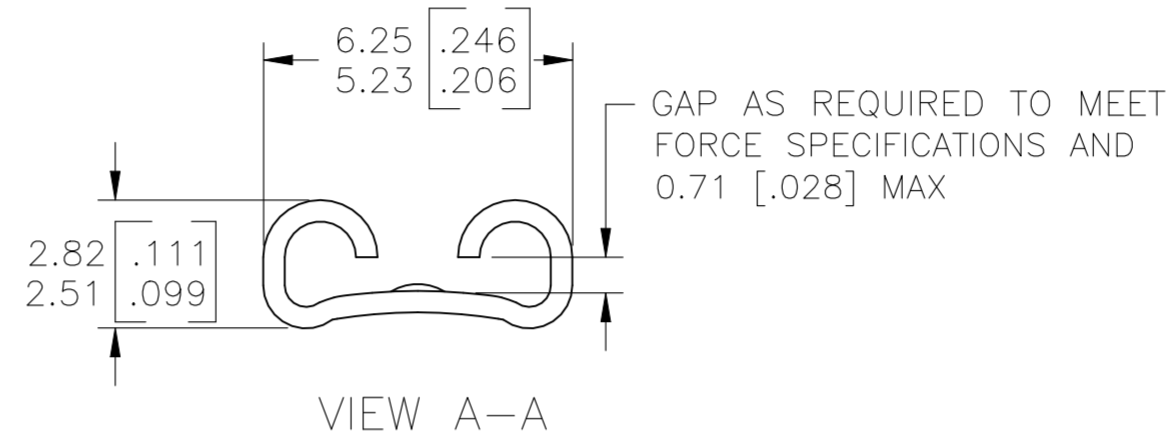
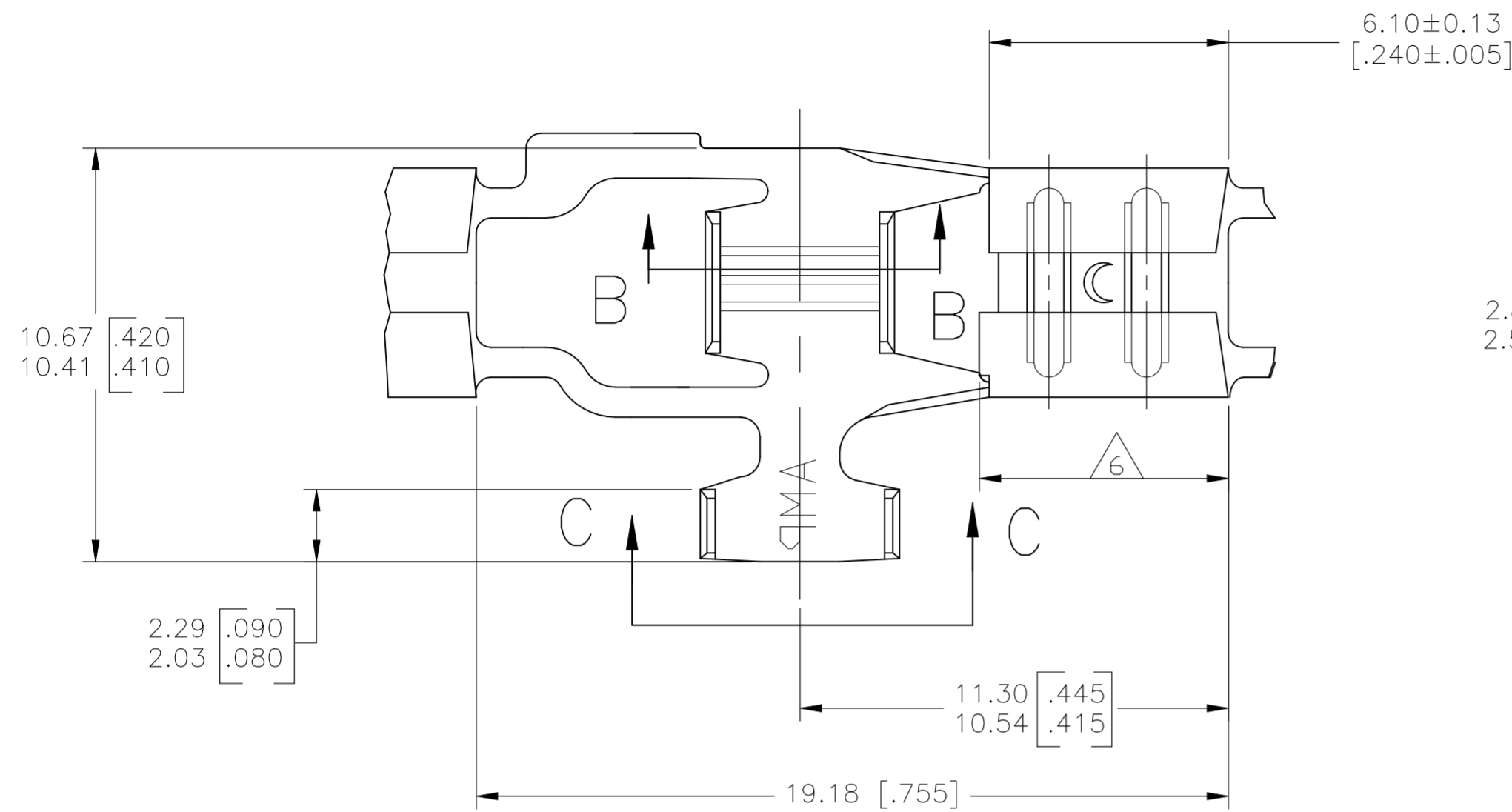


THIS DRAWING IS UNPUBLISHED. RELEASED FOR PUBLICATION
 © COPYRIGHT - By - ALL RIGHTS RESERVED.

LOC	DIST	REVISIONS					
AF	50	P	LTR	DESCRIPTION	DATE	DWN	APVD
		T4		REVISED PER ECR-22-126312	14JAN2022	PC	TD



- 1 CONTINUOUS STRIP ON REELS.
- 2 MATING TAB THK TO BE 0.84-0.76 [.033-.030]
- 3 WIRE SIZE IS #18-#14 AWG.
- 4 INSULATION RANGE IS 1.52-3.81 [.060-.150] DIA.
- 5 REEL WITH INTERLEAVING PAPER
- 6 RECEPTACLE LENGTH CAN BE GREATER BY UP TO 0.25 [.010] MAX FROM OPPOSITE SIDE.
- 7 PREPRODUCTION - FASR REQUIRED
- 8 SUPPLY CONDITION



PART NO	WIRE		INSULATION DIAMETER (MAX)	WIRE BARREL CRIMP			TENSILE STRENGTH POUNDS	
	QTY	SIZE AWG		WIDTH	CRIMP HEIGHT	CRIMPER		ANVIL
63316	1	14	.150	.120	.071	F	FLAT	50
	1	16			.063			30
	1	18			.057			20

REVERSE REELED	-	BRASS	63316-8
5 REVERSE REELED	0.00381 [.000150] MIN NICKEL	T2 CR STEEL	63316-7
8	0.00398 [.000157] MIN SILVER	H04 PHOS BRZ	7 63316-6
5 REVERSE REELED	TIN	BRASS	63316-5
	0.00381 [.000150] MIN NICKEL	T2 CR STEEL	8 63316-3
	TIN	BRASS	8 63316-2
	-	BRASS	8 63316-1
	FINISH	MATERIAL	PART NO.

THIS DRAWING IS A CONTROLLED DOCUMENT.

DWN	JR RUTH	6/16/87
CHK	MS FEHER	6/16/87
APVD	C MEYERS	6/16/87

TE Connectivity

RECEPTACLE, FLAG, FASTON, 4.75 [.187] SERIES

SIZE	A2	CAGE CODE	00779	DRAWING NO	C-63316	RESTRICTED TO	-
SCALE	7:1	SHEET	1 OF 1	REV	T4		

CUSTOMER DRAWING

X-ON Electronics

Largest Supplier of Electrical and Electronic Components

Click to view similar products for [Terminals](#) category:

Click to view products by [TE Connectivity](#) manufacturer:

Other Similar products are found below :

[00-054007-01074-6](#) [00-054007-70206-1](#) [00-054007-70210-8](#) [00-054007-70217-7](#) [00-054007-70226-9](#) [00-054007-70228-3](#) [00-054007-70248-1](#) [00-054007-70256-6](#) [00-054007-70301-3](#) [00-054007-70316-7](#) [0-0320562-0](#) [00-054007-49560-4](#) [00-054007-70209-2](#) [00-054007-70225-2](#) [00-054007-70227-6](#) [00-054007-70231-3](#) [00-054007-70241-2](#) [00-054007-70242-9](#) [00-054007-70244-3](#) [00-054007-70246-7](#) [00-054007-70263-4](#) [00-054007-70288-7](#) [00-054007-70290-0](#) [00-054007-70300-6](#) [00-054007-70304-4](#) [01-2065-1-0216](#) [01-2900-1-04412](#) [00581P0075](#) [600TS-10](#) [60205-1](#) [604200-1](#) [605601-1](#) [60598-1-CUT-TAPE](#) [61314-6-C](#) [61810-3](#) [61-S](#) [61-SN](#) [626-0194](#) [62-NBM-A](#) [62-SN](#) [62-SP](#) [63-S](#) [640179-1](#) [M55155/059I03](#) [M55155/079C01](#) [M55155/099H02](#) [M55155/109H01](#) [M55155/109H02](#) [M55155/12XH05](#) [M55155/16XH02](#)