

4

3

2

1

THIS DRAWING IS UNPUBLISHED.

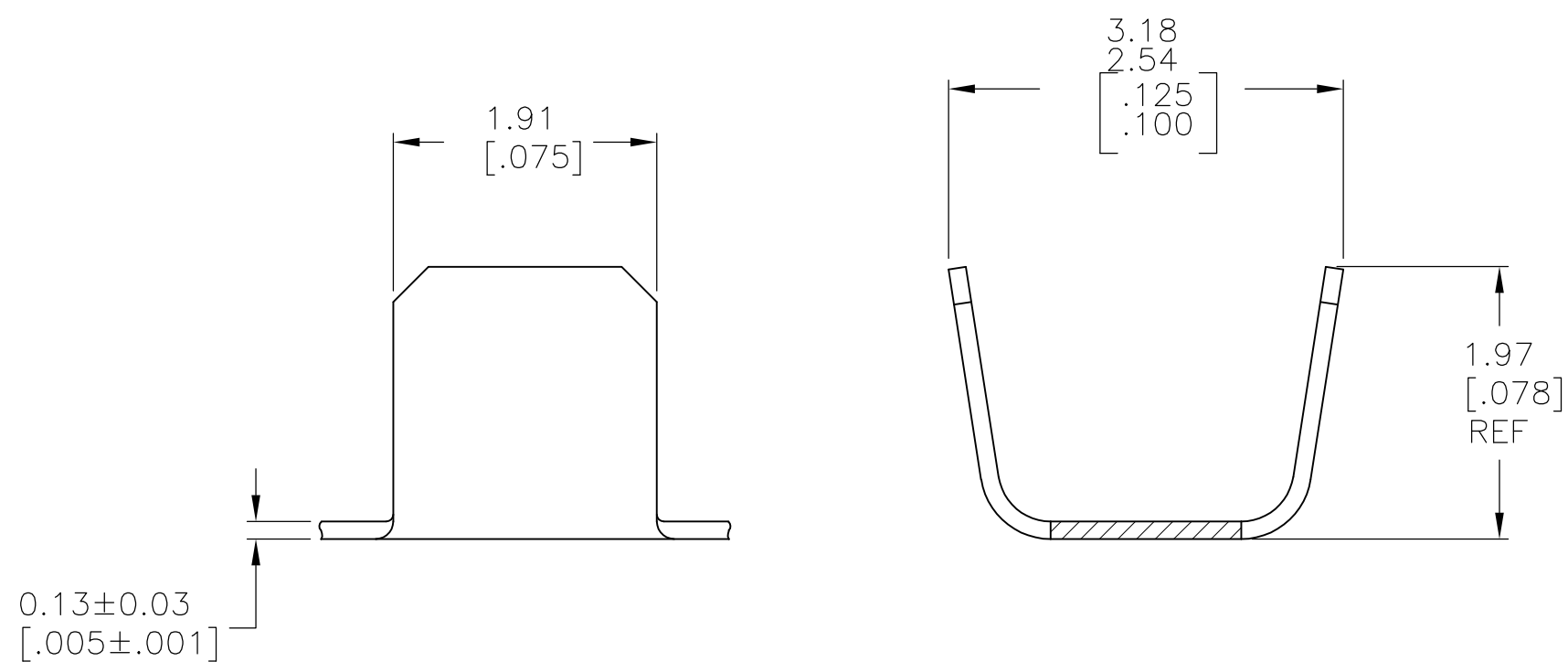
RELEASED FOR PUBLICATION

- . - .

© COPYRIGHT - BY TYCO ELECTRONICS CORPORATION. ALL RIGHTS RESERVED.

LOC	DIST	REVISIONS			
P	LTR	DESCRIPTION	DATE	DWN	APVD
AF	50	D1	ECR-07-010352(REDRAWN IN AUTOCAD)	28FEB07	HMR GP

- 1 CONTINUOUS STRIP ON REELS WITH TERMINALS LOCATED ON 11.58 [.456] CENTERS.
- 2 WIRE RANGE: 20 AWG
- 3 DIMENSIONS IN BRACKETS ARE IN INCHES

63318-1
PART NO

THIS DRAWING IS A CONTROLLED DOCUMENT.		DWN RAGHAVENDRA 28FEB07	tyco Tyco Electronics Corporation														
DIMENSIONS: mm [INCHES]		CHK G.D.PORTA 28FEB07	Harrisburg, Pa 17105-3608														
TOLERANCES UNLESS OTHERWISE SPECIFIED:		APVD G.D.PORTA 28FEB07	NAME														
<table border="0"> <tr><td>0 PLC</td><td>± -</td></tr> <tr><td>1 PLC</td><td>± -</td></tr> <tr><td>2 PLC</td><td>± -</td></tr> <tr><td>3 PLC</td><td>± 0.25 [.010]</td></tr> <tr><td>4 PLC</td><td>± -</td></tr> <tr><td>ANGLES</td><td>± -</td></tr> </table>		0 PLC	± -	1 PLC	± -	2 PLC	± -	3 PLC	± 0.25 [.010]	4 PLC	± -	ANGLES	± -	PRODUCT SPEC -	SPLICE		
0 PLC	± -																
1 PLC	± -																
2 PLC	± -																
3 PLC	± 0.25 [.010]																
4 PLC	± -																
ANGLES	± -																
MATERIAL STAINLESS STEEL		FINISH NONE	APPLICATION SPEC -	SIZE A3	RESTRICTED TO -												
		WEIGHT -	CAGE CODE 00779	DRAWING NO G-63318													
CUSTOMER DRAWING			SCALE 20:1	SHEET 1 OF 1	REV D1												

X-ON Electronics

Largest Supplier of Electrical and Electronic Components

Click to view similar products for [Terminals](#) category:

Click to view products by [TE Connectivity](#) manufacturer:

Other Similar products are found below :

[HT-13-10](#) [71M-250-32-NB](#) [01-2065-1-0216](#) [00581P0075](#) [M10-10RX](#) [M10BCK](#) [60205-1](#) [604200-1](#) [60598-1-CUT-TAPE](#) [60617-1-C](#) [60873-1](#) [M14-516R/SK](#) [M14-6RSX](#) [M18-10FLX](#) [M18-8FBX](#) [M18-8R/LX](#) [M18BCK](#) [61314-6-C](#) [61-S](#) [61-SN-A](#) [62-NBM-A](#) [63-S](#) [640179-1](#) [640917-2-CUT-TAPE](#) [6501550002](#) [66107-2-C](#) [696683-1](#) [696834-1](#) [696861-1](#) [696931-1](#) [696999-1](#) [M8-516RK](#) [M86700006](#) [MA250DMFMX-A](#) [701-2007](#) [701-2307](#) [701-7761-03](#) [70F-110-32-PB](#) [718-N-A](#) [71M-187-20-NBL](#) [71M-250-32-NBL](#) [72F-187-20-NBL](#) [72M-250-32-NBL](#) [7310](#) [73F-250-32](#) [73F-250-32-NBL](#) [73F-250-32-NL](#) [F14-10C](#) [F-1M](#) [751-250](#)