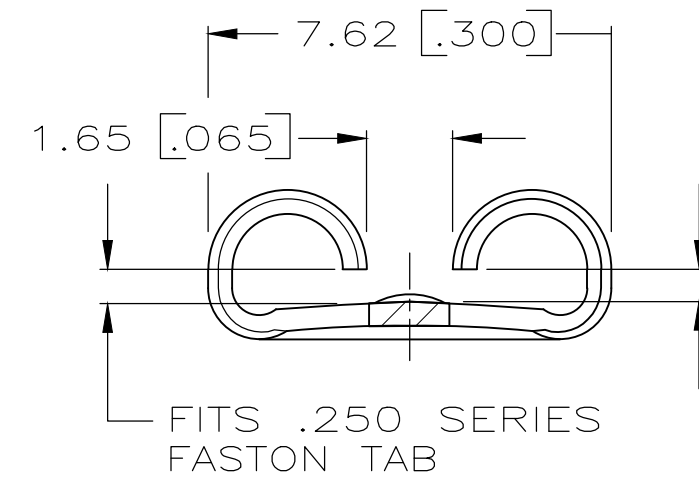
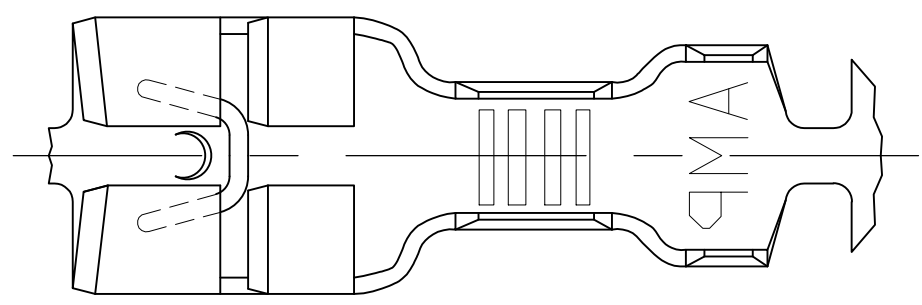
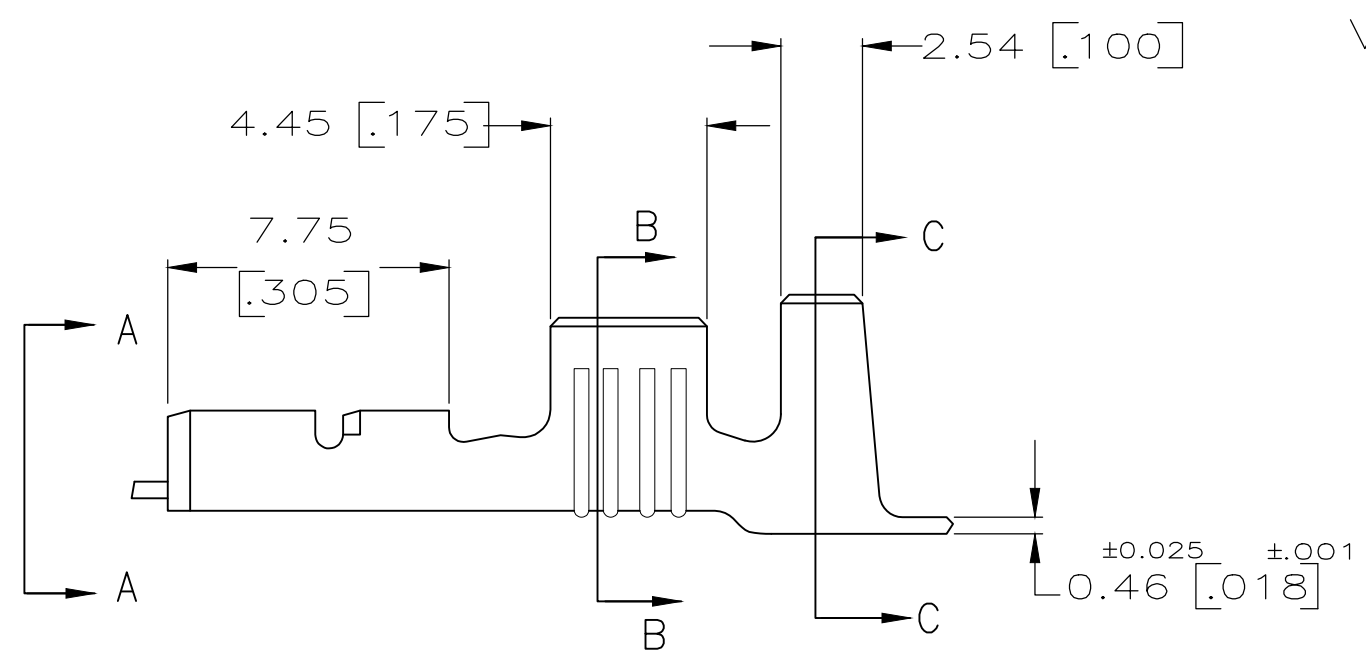


THIS DRAWING IS UNPUBLISHED. RELEASED FOR PUBLICATION
 © COPYRIGHT - By - ALL RIGHTS RESERVED.

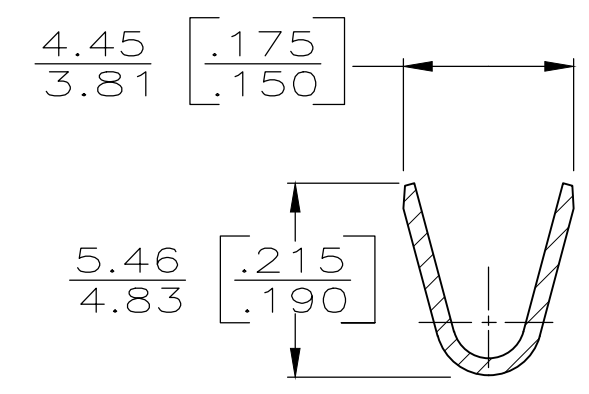
LOC	DIST	REVISIONS			
P	LTR	DESCRIPTION	DATE	DWN	APVD
AF	50	K1	REVISED PER ECR-20-009164	3AUG2020	MK DH



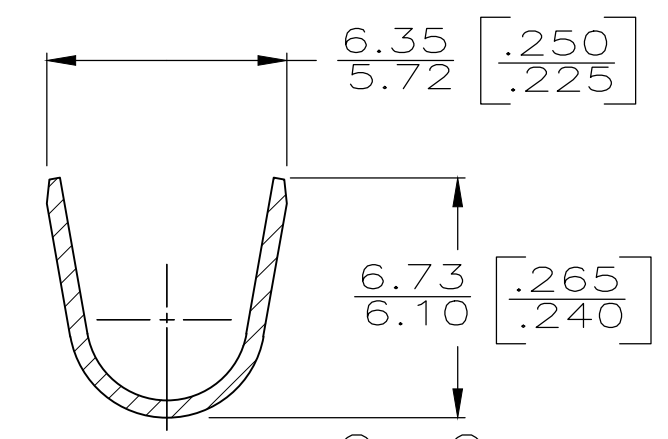
- 1 DIMENSIONS IN BRACKETS ARE IN INCHES.
- 2 CONTINUOUS STRIP ON REELS.



VIEW A-A



SECTION B-B



SECTION C-C

TIN	5.08-3.81 [.200-.150]	2.0-5.0mm ² [14-10]	0.84-0.76 [.033-.030]	63365-2
FINISH	INSULATION RANGE	WIRE SIZE	MATING TAB THK.	63365-1
				PART NO

THIS DRAWING IS A CONTROLLED DOCUMENT.		DWN	JR RUTH	10/10/86	STE TE Connectivity											
DIMENSIONS: mm [INCHES]		CHK	M FEHER	12/1/87												
TOLERANCES UNLESS OTHERWISE SPECIFIED:		APVD	C MEYERS	12/1/87												
<table border="0"> <tr><td>0 PLC</td><td>± -</td></tr> <tr><td>1 PLC</td><td>± -</td></tr> <tr><td>2 PLC</td><td>± -</td></tr> <tr><td>3 PLC</td><td>± 0.25 [.010]</td></tr> <tr><td>4 PLC</td><td>± -</td></tr> <tr><td>ANGLES</td><td>± -</td></tr> </table>		0 PLC	± -	1 PLC		± -	2 PLC	± -	3 PLC	± 0.25 [.010]	4 PLC	± -	ANGLES	± -	PRODUCT SPEC	
0 PLC	± -															
1 PLC	± -															
2 PLC	± -															
3 PLC	± 0.25 [.010]															
4 PLC	± -															
ANGLES	± -															
MATERIAL: BRASS		FINISH: -		APPLICATION SPEC	RECEPTACLE, FASTON, LOW-INSERTION, .250 SERIES											
		WEIGHT	-		SIZE: A3											
		CUSTOMER DRAWING		SCALE: 5:1	CAGE CODE: 00779											
				DRAWING NO: C-63365	RESTRICTED TO: -											
				SHEET: 1 OF 1	REV: K1											

X-ON Electronics

Largest Supplier of Electrical and Electronic Components

Click to view similar products for [Terminals](#) category:

Click to view products by [TE Connectivity](#) manufacturer:

Other Similar products are found below :

[00-054007-01074-6](#) [00-054007-70206-1](#) [00-054007-70210-8](#) [00-054007-70217-7](#) [00-054007-70226-9](#) [00-054007-70228-3](#) [00-054007-70248-1](#) [00-054007-70256-6](#) [00-054007-70301-3](#) [00-054007-70316-7](#) [0-0320562-0](#) [00-054007-49560-4](#) [00-054007-70209-2](#) [00-054007-70225-2](#) [00-054007-70227-6](#) [00-054007-70231-3](#) [00-054007-70241-2](#) [00-054007-70242-9](#) [00-054007-70244-3](#) [00-054007-70246-7](#) [00-054007-70263-4](#) [00-054007-70288-7](#) [00-054007-70290-0](#) [00-054007-70300-6](#) [00-054007-70304-4](#) [01-2065-1-0216](#) [01-2900-1-04412](#) [00581P0075](#) [600TS-10](#) [60205-1](#) [604200-1](#) [605601-1](#) [60598-1-CUT-TAPE](#) [61314-6-C](#) [61810-3](#) [61-S](#) [61-SN](#) [626-0194](#) [62-NBM-A](#) [62-SN](#) [62-SP](#) [63-S](#) [640179-1](#) [M55155/059I03](#) [M55155/079C01](#) [M55155/099H02](#) [M55155/109H01](#) [M55155/109H02](#) [M55155/12XH05](#) [M55155/16XH02](#)