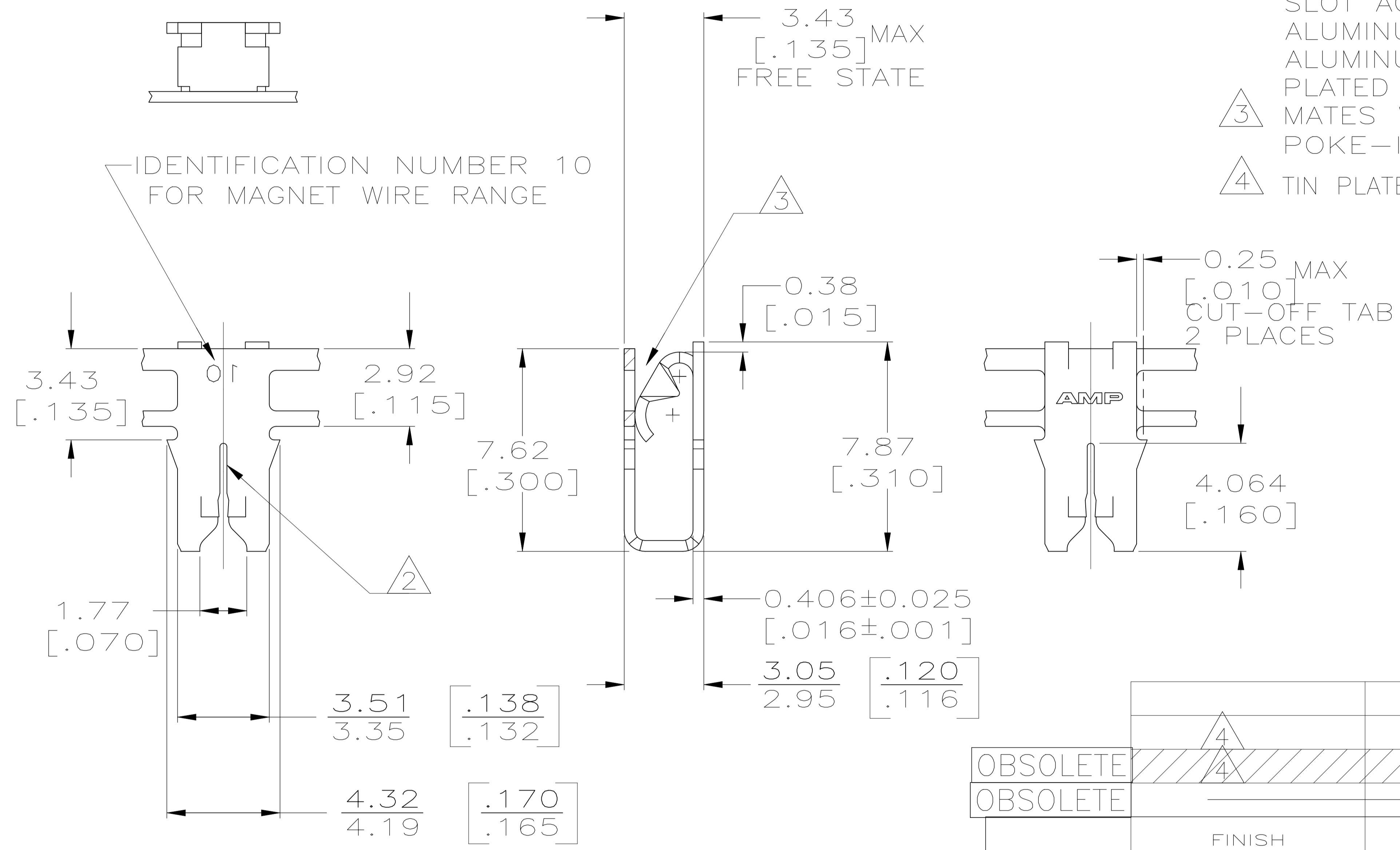


THIS DRAWING IS UNPUBLISHED. RELEASED FOR PUBLICATION .19
 © COPYRIGHT 19 BY TE INCORPORATED. ALL INTERNATIONAL RIGHTS RESERVED.

LOC	DIST	P	F	ZONE	LTR	DESCRIPTION	DATE	APPD
AF	50				H4	REVISED PER ECR-18-006427	14MAY2018	BW/SV

- 1 CONTINUOUS STRIP ON REELS WITH TERMINALS LOCATED ON 5.59±0.08 [.220±.003] CENTERS.
- 2 SLOT ACCEPTS 0.36-0.57 mm [#27-#23] AWG COPPER MAGNET WIRE.
SLOT ACCEPTS 0.51-0.64mm [#24-#22] ALUMINUM MAGNET WIRE.
ALUMINUM WIRE RANGE APPLIES FOR POST-TIN PLATED VERSIONS ONLY.
- 3 MATES WITH STANDARD MAG-MATE STYLED POKE-IN TAB TERMINAL.
- 4 TIN PLATE



FINISH	MATERIAL	PART NO
	H04 PHOS. BRONZE	1-63551-3
		63551-3
OBSOLETE	4M BRASS	63551-2
OBSOLETE	4M BRASS	63551-1

DO NOT SCALE PRINT. UNLESS SPECIFIED	DR 8/21/89
DIMENSIONS IN mm [INCHES]	CHK 8/23/89
TOLERANCES ON:	APPD 8/23/89
2 PLC DEC ± -	DF DECKER
3 PLC DEC ± 0.25 [.010]	APPD 8/23/89
ANGLES ± -	TL SHUTTER
MATERIAL	PRODUCT SPEC
SEE TABLE	108-2012
FINISH	APPLICATION SPEC
SEE TABLE	114-2046
	WEIGHT

TE TE Connectivity

NAME: SPECIAL LEAF CONTACT, 300 SERIES MAG-MATE™

SIZE	CAGE CODE	DRAWING NO
B	00779	63551
SCALE	SHEET	REV.
5:1	1 OF 1	H4

X-ON Electronics

Largest Supplier of Electrical and Electronic Components

Click to view similar products for [Terminals](#) category:

Click to view products by [TE Connectivity](#) manufacturer:

Other Similar products are found below :

[HT-13-10](#) [71M-250-32-NB](#) [01-2065-1-0216](#) [00581P0075](#) [M10-10RX](#) [M10BCK](#) [60205-1](#) [604200-1](#) [60598-1-CUT-TAPE](#) [60617-1-C](#) [60873-1](#) [M14-516R/SK](#) [M14-6RSX](#) [M18-8FBX](#) [M18-8R/LX](#) [M18BCK](#) [61314-6-C](#) [61-S](#) [61-SN-A](#) [62-NBM-A](#) [63-S](#) [640179-1](#) [640917-2-CUT-TAPE](#) [6501550002](#) [66107-2-C](#) [696683-1](#) [696834-1](#) [696861-1](#) [696931-1](#) [696999-1](#) [M8-516RK](#) [M86700006](#) [MA250DMFMX-A](#) [701-2007](#) [701-2307](#) [701-7761-03](#) [70F-110-32-PB](#) [718-N-A](#) [71M-187-20-NBL](#) [71M-250-32-NBL](#) [72F-187-20-NBL](#) [72M-250-32-NBL](#) [7310](#) [73F-250-32](#) [73F-250-32-NL](#) [F14-10C](#) [F-1M](#) [751-250](#) [76650-5002](#) [76828-149](#)