

THIS DRAWING IS UNPUBLISHED.

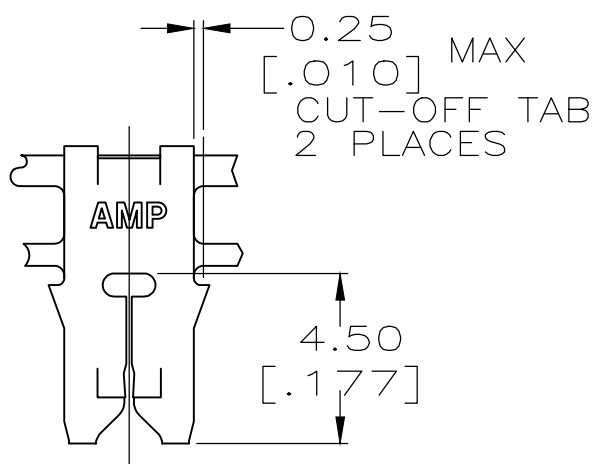
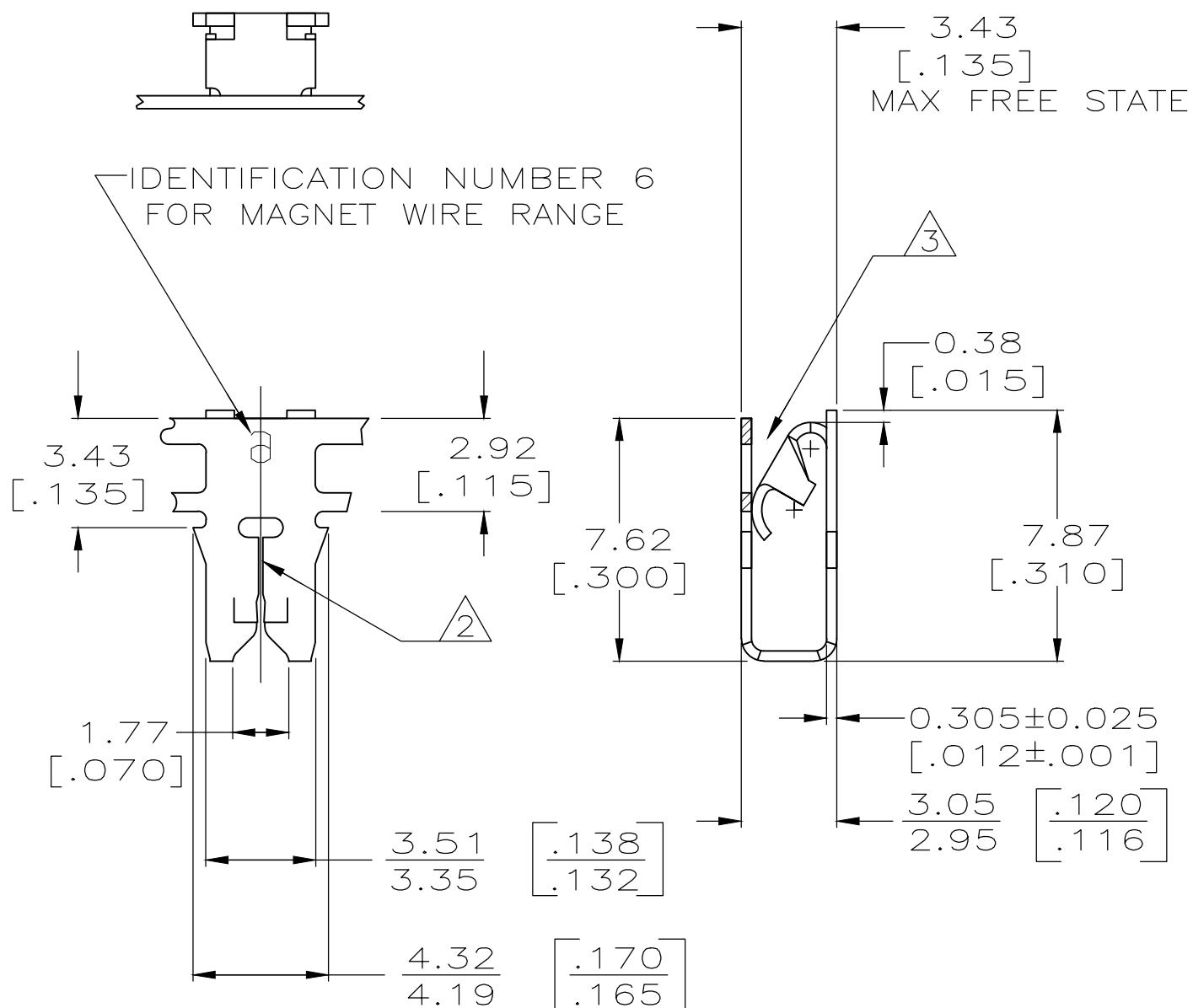
RELEASED FOR PUBLICATION

ALL RIGHTS RESERVED.

© COPYRIGHT - By -

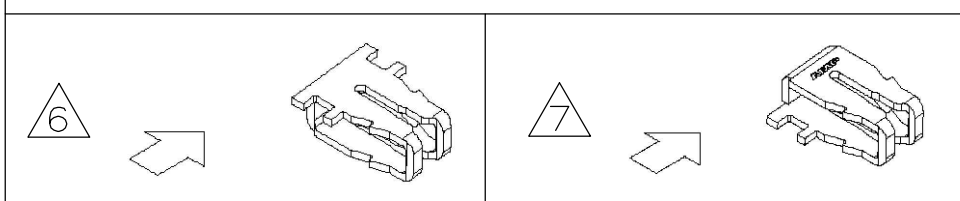
LOC	DIST	REVISIONS			
P	LTR	DESCRIPTION	DATE	DWN	APVD
AF	50	J3	REVISED PER ECR-18-014081	21SEP2018	BDA SV

- 1 CONTINUOUS STRIP ON REELS WITH TERMINALS LOCATED ON 5.59 [.220] CENTERS.
- 2 SLOT ACCEPTS 0.25-0.36mm [#30-#27] AWG COPPER MAGNET WIRE.  
SLOT ACCEPTS 0.32-0.45mm [#28-#25] AWG ALUMINUM MAGNET WIRE.  
ALUMINUM WIRE RANGE APPLIES FOR POST-TIN PLATED VERSIONS ONLY.
- 3 MATES WITH STANDARD MAG-MATE STYLED POKE-IN TAB TERMINAL.
- 4 TIN PLATE



IDENTIFICATION NUMBER 6 FOR MAGNET WIRE RANGE

REELING DIRECTION OFF TOP OF THE REEL



7	PLASTIC	4	H04 PHOS. BRONZE	63590-5			
6	PLASTIC	4	H04 PHOS. BRONZE	63590-4			
6	CARDBOARD	4	H04 PHOS. BRONZE	63590-3			
6	CARDBOARD	4	4M BRASS	63590-2			
6	CARDBOARD	4	4M BRASS	63590-1			
REELING		FINISH		MATERIAL		PART NO	

THIS DRAWING IS A CONTROLLED DOCUMENT.		DWN MICHAEL S. FEHER 7/30/90	<b>STE</b> TE Connectivity		
		CHK JEFF R. RUTH 7/30/90			
DIMENSIONS: MM [INCHES]		APVD DONALD F. DECKER 7/30/90	NAME SPECIAL LEAF CONTACT, 300 SERIES MAG-MATE		
TOLERANCES UNLESS OTHERWISE SPECIFIED: 0 PLC ± - 1 PLC ± - 2 PLC ± 0.25 [.010] 3 PLC ± - 4 PLC ± - ANGLES ± -		PRODUCT SPEC 108-2012	RESTRICTED TO		
MATERIAL SEE TABLE		APPLICATION SPEC 114-2046	SIZE A3	CAGE CODE 00779	DRAWING NO C-63590
FINISH SEE TABLE		WEIGHT -	SCALE 5:1		SHEET 1 OF 1
CUSTOMER DRAWING			REV J3		

## X-ON Electronics

Largest Supplier of Electrical and Electronic Components

*Click to view similar products for [Terminals](#) category:*

*Click to view products by [TE Connectivity](#) manufacturer:*

Other Similar products are found below :

[HT-13-10](#) [71M-250-32-NB](#) [01-2065-1-0216](#) [00581P0075](#) [M10-10RX](#) [M10BCK](#) [60205-1](#) [604200-1](#) [60598-1-CUT-TAPE](#) [60617-1-C](#) [60873-1](#) [M14-516R/SK](#) [M14-6RSX](#) [M18-8FBX](#) [M18-8R/LX](#) [M18BCK](#) [61314-6-C](#) [61-S](#) [61-SN-A](#) [62-NBM-A](#) [63-S](#) [640179-1](#) [640917-2-CUT-TAPE](#) [6501550002](#) [66107-2-C](#) [696683-1](#) [696834-1](#) [696861-1](#) [696931-1](#) [696999-1](#) [M8-516RK](#) [M86700006](#) [MA250DMFMX-A](#) [701-2007](#) [701-2307](#) [701-7761-03](#) [70F-110-32-PB](#) [718-N-A](#) [71M-187-20-NBL](#) [71M-250-32-NBL](#) [72F-187-20-NBL](#) [72M-250-32-NBL](#) [7310](#) [73F-250-32](#) [73F-250-32-NL](#) [F14-10C](#) [F-1M](#) [751-250](#) [76650-5002](#) [76828-149](#)