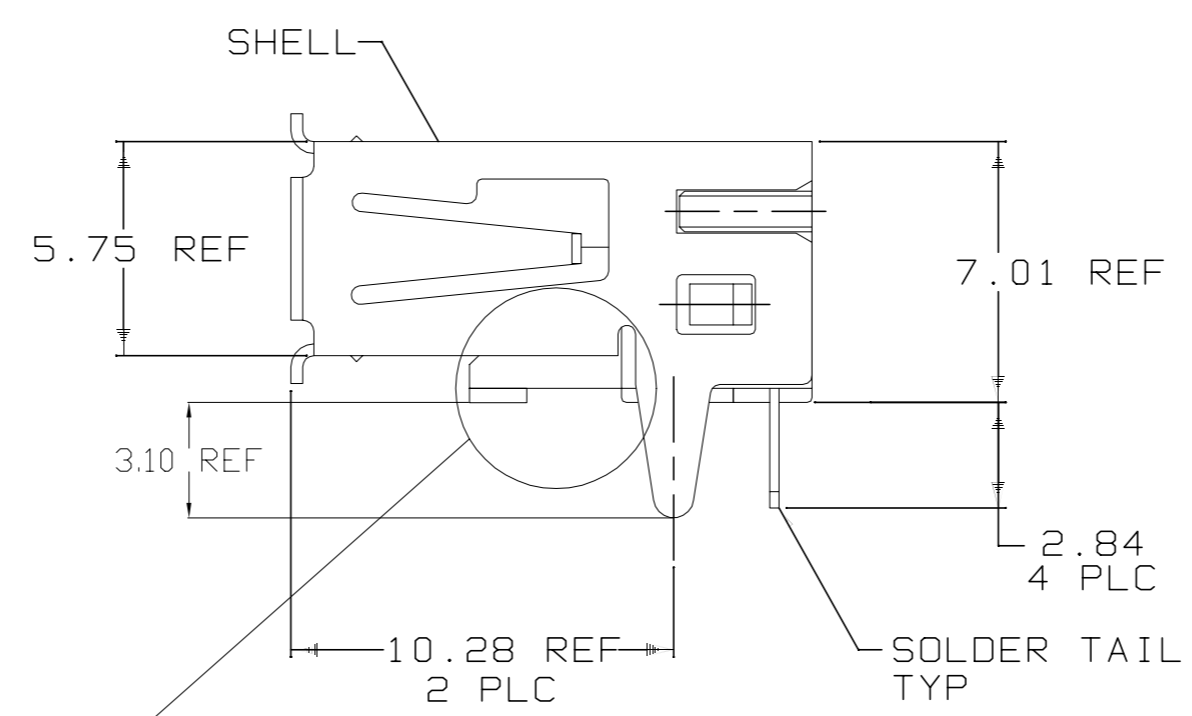
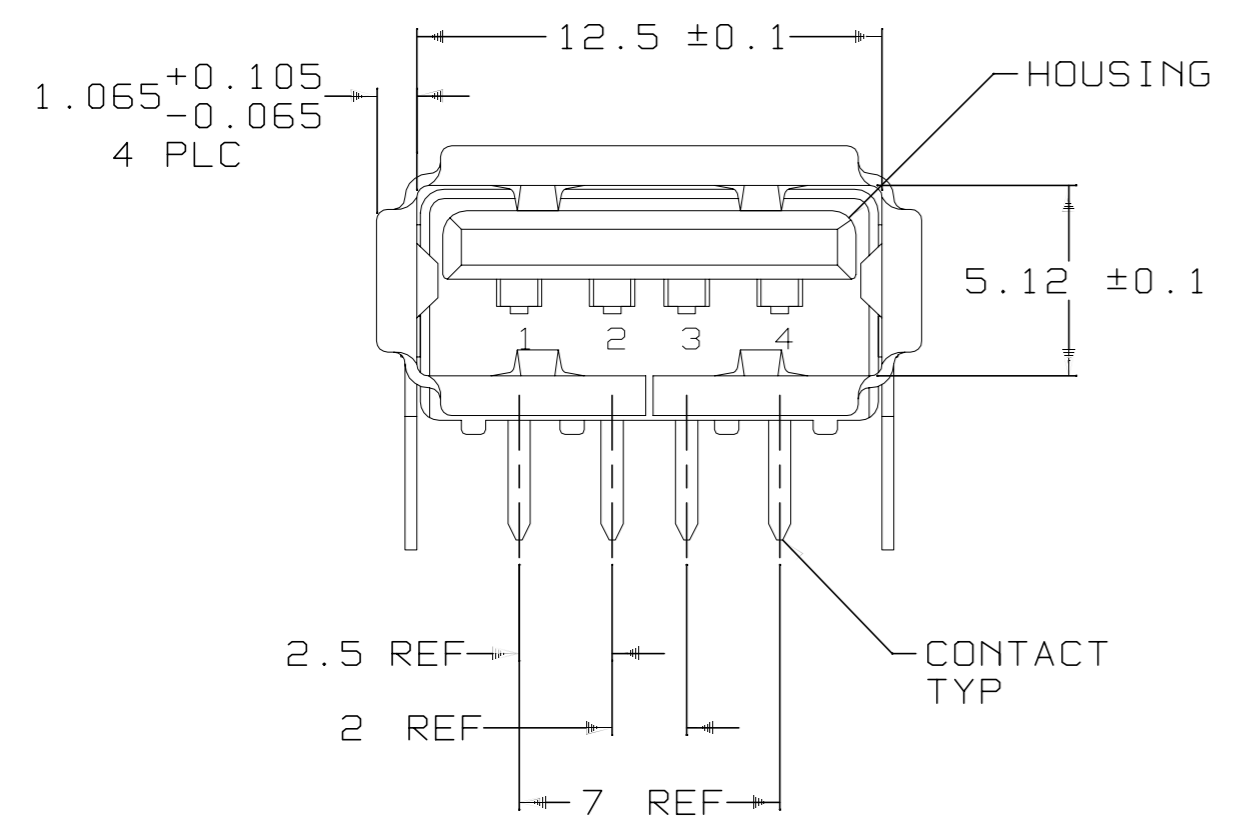
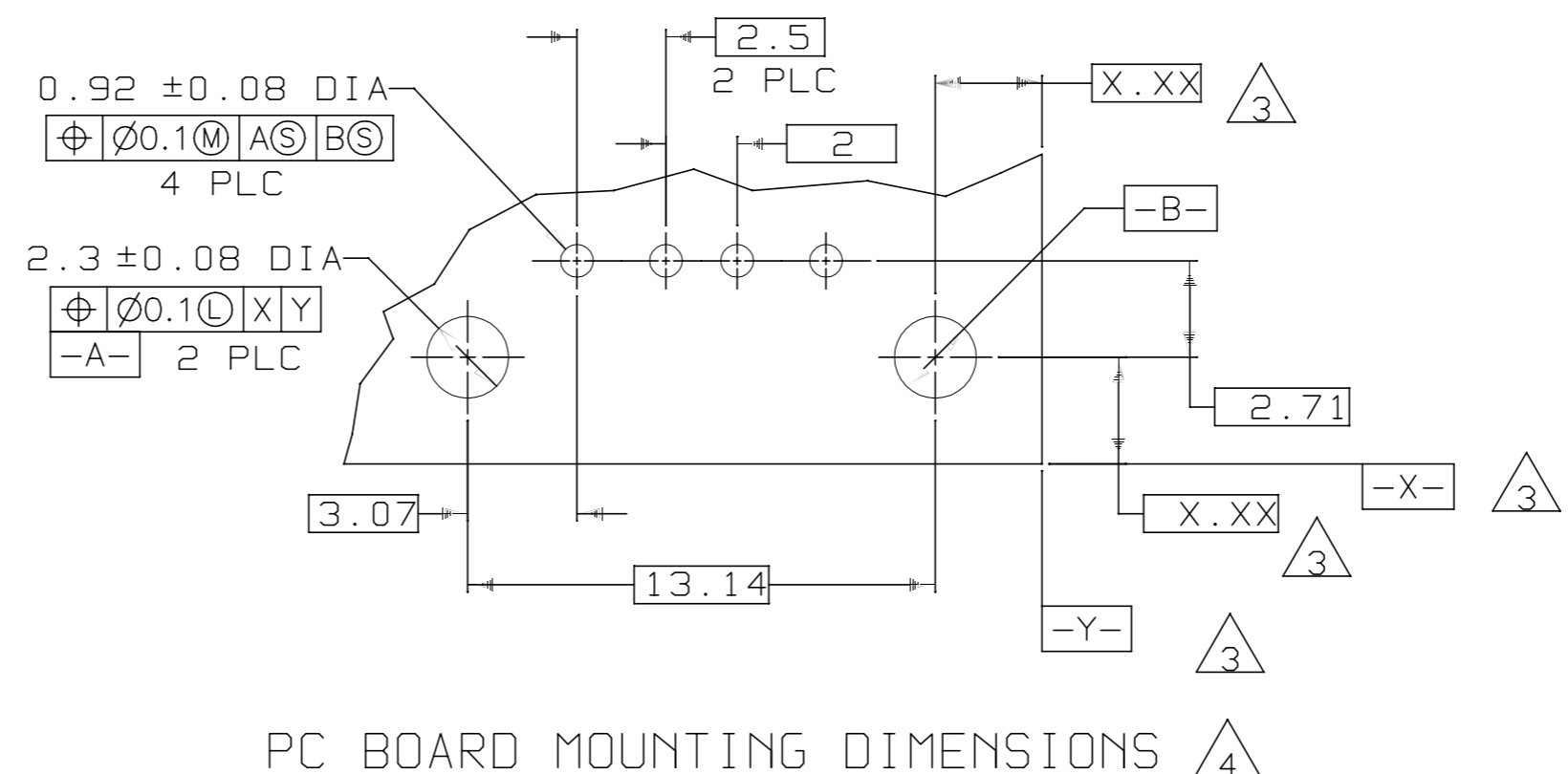
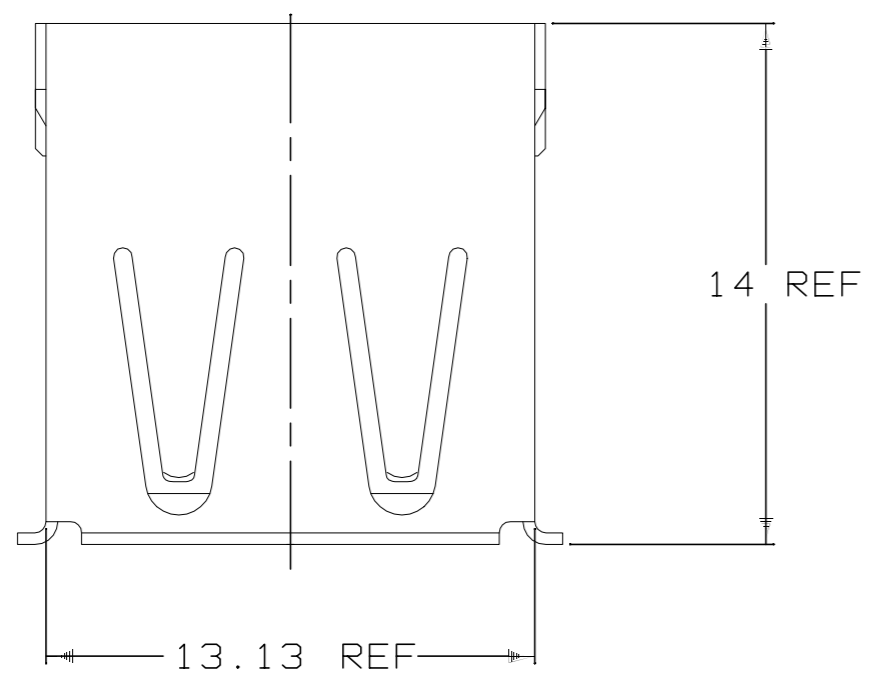


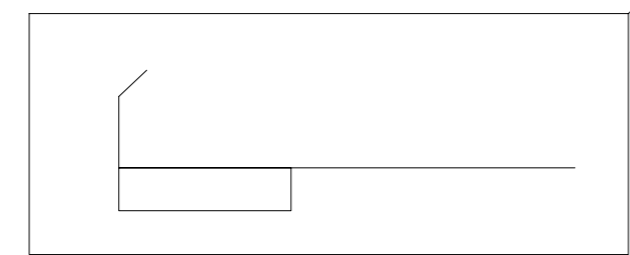
| REVISIONS |     |                           |           |     |      |
|-----------|-----|---------------------------|-----------|-----|------|
| P         | LTR | DESCRIPTION               | DATE      | DWN | APVD |
|           | B   | REVISED PER ECN-21-127628 | 28OCT2021 | AK  | SZ   |



- 1 MATERIAL:  
 SHELL & CONTACTS- COPPER ALLOY.  
 HOUSING- UL 94V-0 RATED, THERMOPLASTIC, COLOR SEE TABLE.
- 2 PLATING:  
 CONTACTS- 0.076um MINIMUM GOLD OVER 0.76um MINIMUM PALLADIUM-NICKEL ON MATING AREA.  
 3.8um MINIMUM MATTE TIN ON SOLDER TAILS.  
 BOTH OVER 1.27um MINIMUM NICKEL.  
 CONTACT ALTERNATE PLATING: 0.76um MIN GOLD ON MATING AREA, 3.80um MIN MATTE TIN ON SOLDER TAILS, BOTH OVER 1.27um MIN NICKEL.  
 SHELL: MINIMUM BRIGHT TIN OVER MIN NICKEL.
- 3 DATUM AND BASIC DIMENSIONS ESTABLISHED BY CUSTOMER.
- 4 RECOMMENDED PC BOARD THICKNESS OF 1.57.

OBSOLETE

|           |                             |               |             |
|-----------|-----------------------------|---------------|-------------|
| TAPE&REEL | YES                         | BLACK         | 6364372-5   |
| TAPE&REEL | YES                         | BLACK         | 6364372-4   |
| TAPE&REEL | YES                         | NATURAL       | 6364372-3   |
| TUBE      | YES                         | NATURAL       | 6364372-2   |
| TUBE      | NO                          | BLACK         | 6364372-1   |
| PACKAGING | HIGH TEMPERATURE COMPATIBLE | HOUSING COLOR | PART NUMBER |



EXTENDED BLOCK FEATURE IN HOUSING APPLICABLE TO 6364372-4 ONLY.

THIS DRAWING IS A CONTROLLED DOCUMENT.

DWN: J.JIANG 12APR2004  
 CHK: S.YAO 12APR04  
 APVD: J.QU 12APR04

TE Connectivity

RECEPTACLE ASSEMBLY, RIGHT ANGLE, 4 POSITION, THRU-HOLE, USB

108-60034

SIZE: A2 CAGE CODE: 00779 DRAWING NO: 6364372

SCALE: 5:1 SHEET: 1 of 1 REV: B

CUSTOMER DRAWING

## X-ON Electronics

Largest Supplier of Electrical and Electronic Components

*Click to view similar products for [USB Connectors](#) category:*

*Click to view products by [TE Connectivity](#) manufacturer:*

Other Similar products are found below :

[65-647-8-BK-BU](#) [950](#) [952](#) [E8144-B01021-L](#) [A-USB B-TOP-C](#) [MUSBA511N5](#) [MUSBD11135](#) [217450-1](#) [KMBVX-TH-5S-B30](#) [896-30-004-00-000000](#) [KUSBVX-BS1N-W30](#) [KUSBX-AP-KIT-SCBLK](#) [KUSBX-AS2N-W](#) [KUSBX-SMT2AP1S-W](#) [KUSBX-SMT2AP1S-W30](#) [935](#) [957](#) [30-498-6](#) [17-210051](#) [1734082-1](#) [30-1574](#) [30-470](#) [30-489](#) [30-541](#) [30-572-3](#) [A-USB A-2P-C](#) [MIKROE-1451](#) [USBFTV2PEM2G](#) [USBFTVC6ZN](#) [KUSBX-AS2N-W30](#) [KUSBX-SLAS1N-W](#) [KUSBX-SMT-AS1N-W30](#) [4689-1](#) [1-1734084-2](#) [E8110-001-01](#) [33UBARS1-04SW11](#) [33UBAR-04SW11](#) [USBF21ZNSCC](#) [USBBFTV6ZC](#) [10135326-001LF](#) [USB-A-S-F-B-VT](#) [925](#) [4198](#) [690-024-633-031](#) [KUSBEX-BSFS1N-W](#) [USBFTVC6MRG](#) [UA-20BMFA-SL8001](#) [17-250101](#) [USBFTVC7ZC](#) [USBFTV75NF459](#)