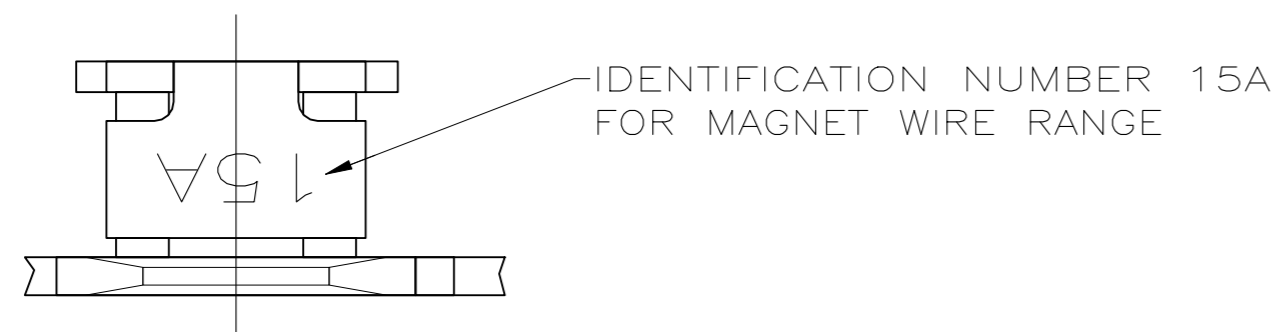
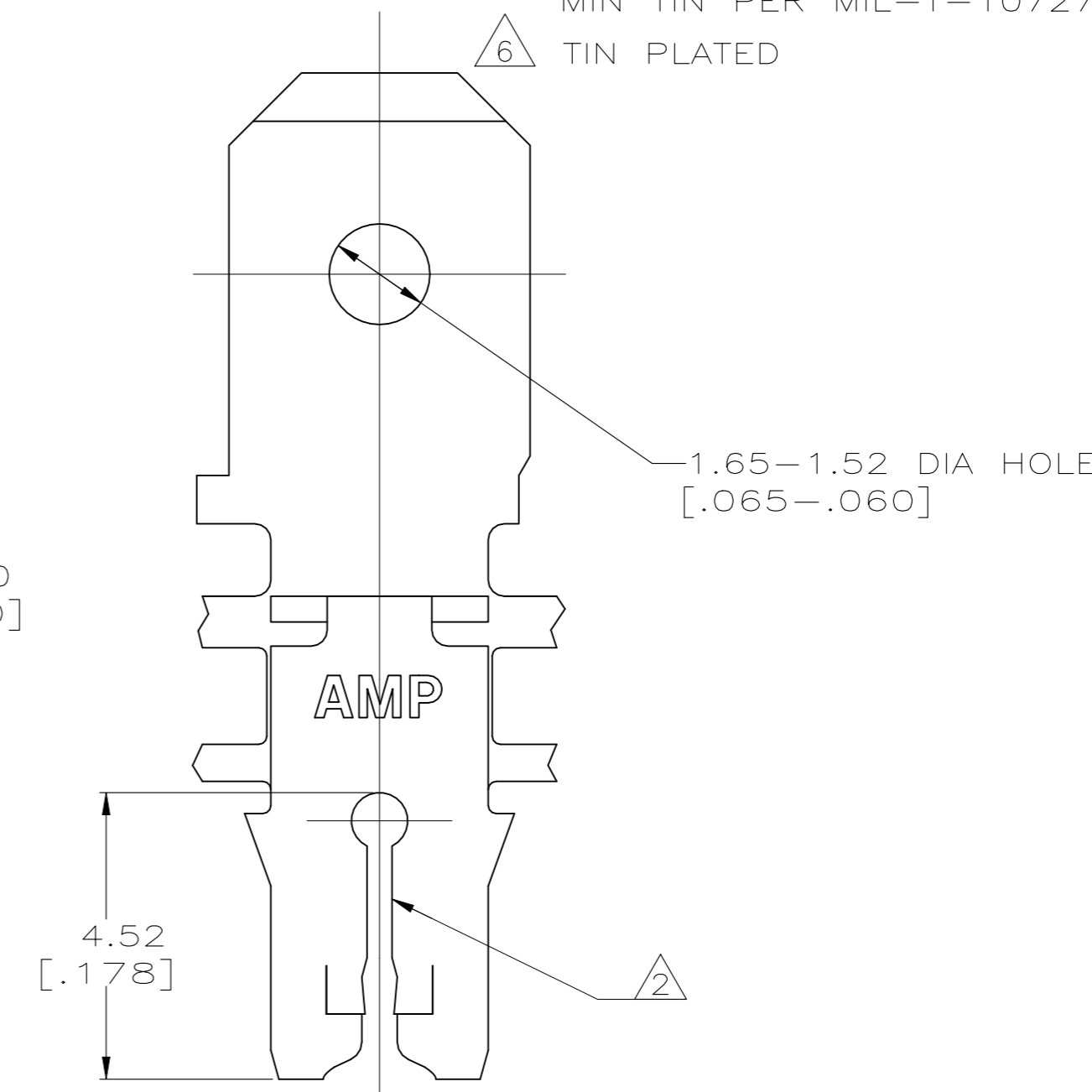
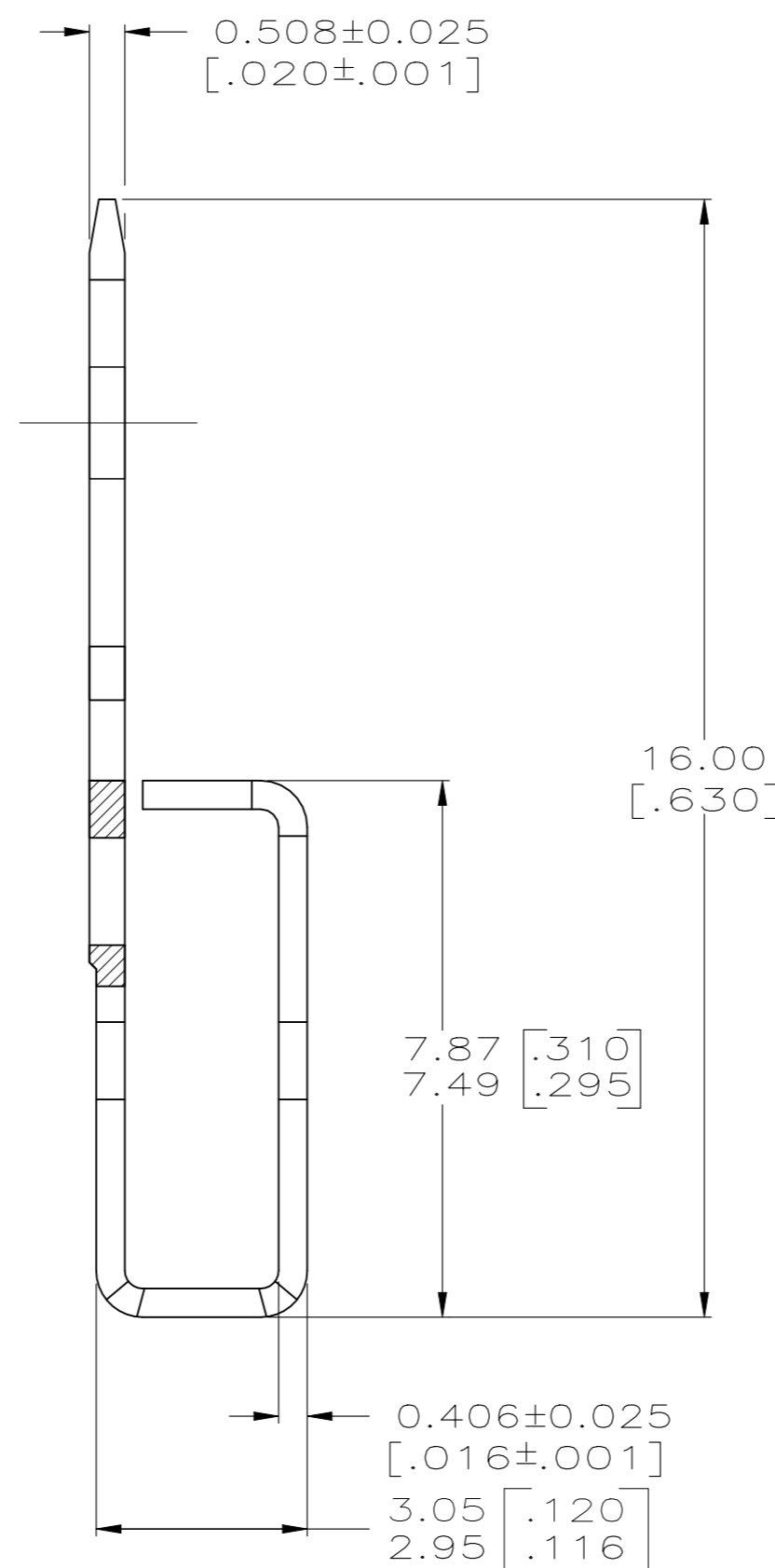
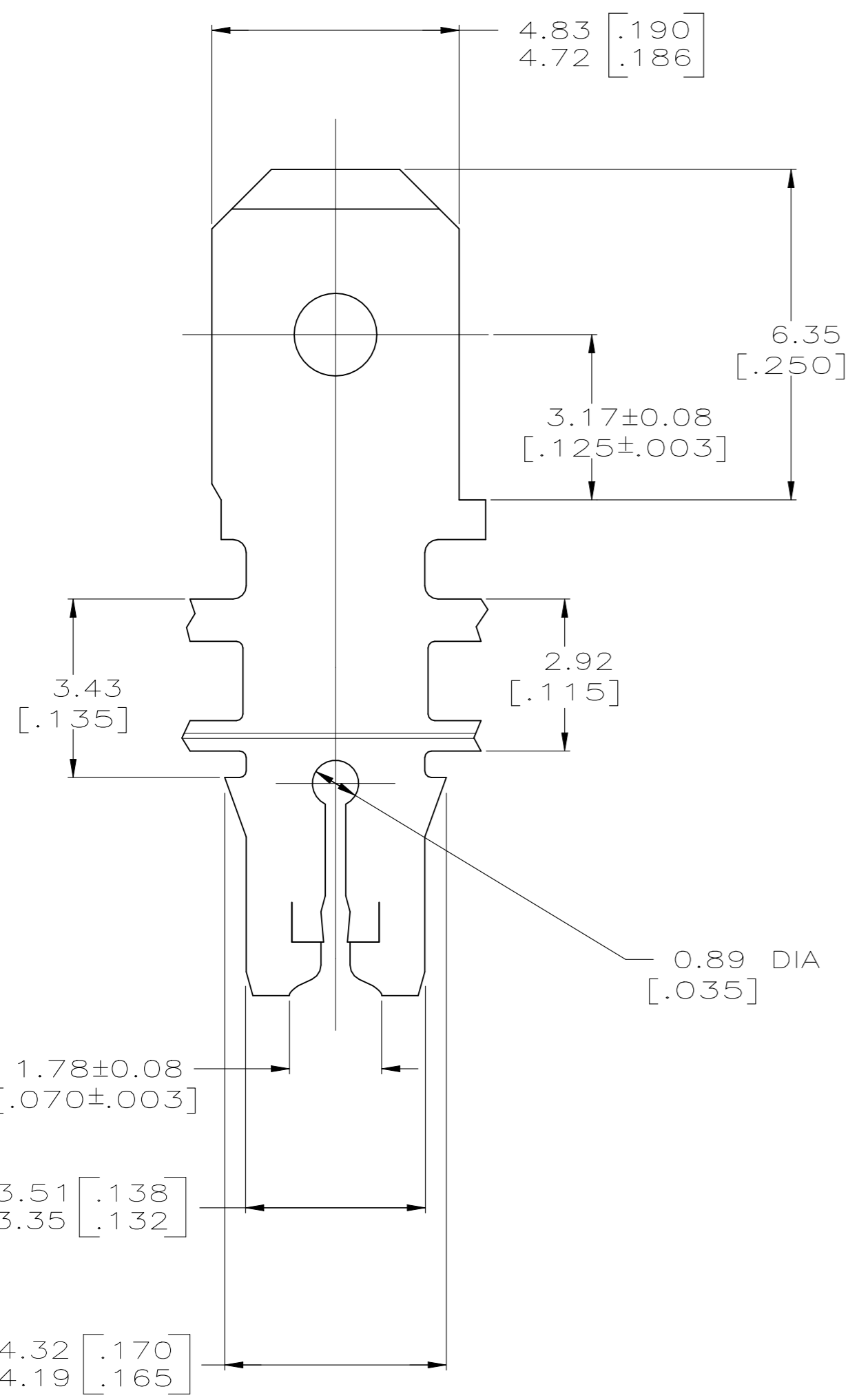


REVISIONS					
P	LTR	DESCRIPTION	DATE	DWN	APVD
	D3	REVISED PER ECR-22-126726	17JAN2022	JJ	TD



- 1 CONTINUOUS STRIP ON REELS WITH TERMINALS LOCATED ON 5.59±0.08 [.220±.003] CENTERS. SLOT TERMINATES A SINGLE MAGNET WIRE ONLY.
- 2 ALUMINUM RANGE: 0.72-0.96mm [#21-#18.5] AWG.
- 3 AFTER INSERTION INTO PLASTIC HOLDER TAB PORTION MUST BE BENT OVER 45° TO 90° OR POTTED-IN TO PREVENT PULL-OUT WHEN MATING RECEPTACLE IS DISCONNECTED.
- 4 ANVIL HEIGHT TO BE 2.29±0.13 [.090±.005].
- 5 VARNISH RESIST OVER 0.001016 [.000040] MIN TIN PER MIL-T-10727.
- 6 TIN PLATED



6	63669-2
5	63669-1
REMARKS	PART NO.

THIS DRAWING IS A CONTROLLED DOCUMENT.		DWN MICHAEL S. FEHER 9/3/92	TE TE Connectivity		
		CHK JEFF R. RUTH 9/4/92			
		APVD NELSON E. NEFF 9/15/92	NAME		
DIMENSIONS: INCHES		PRODUCT SPEC 108-2012		TERMINAL, TAB, 4.75 [.187] FASTON,™ MAG-MATE™	
TOLERANCES UNLESS OTHERWISE SPECIFIED:		APPLICATION SPEC 114-2046 4		SIZE A2	CAGE CODE 00779
0 PLC ± -		WEIGHT 0.000000		DRAWING NO C=63669	RESTRICTED TO -
1 PLC ± -		MATERIAL BRASS		SCALE 10:1	SHEET 1 OF 1
2 PLC ± 0.25 [.010]		FINISH 5		REV D3	
3 PLC ± -		CUSTOMER DRAWING			
4 PLC ± -					
ANGLES ± -					

X-ON Electronics

Largest Supplier of Electrical and Electronic Components

Click to view similar products for [Terminals](#) category:

Click to view products by [TE Connectivity](#) manufacturer:

Other Similar products are found below :

[00-054007-01074-6](#) [00-054007-70206-1](#) [00-054007-70210-8](#) [00-054007-70217-7](#) [00-054007-70226-9](#) [00-054007-70228-3](#) [00-054007-70248-1](#) [00-054007-70256-6](#) [00-054007-70301-3](#) [00-054007-70316-7](#) [00-054007-49560-4](#) [00-054007-70209-2](#) [00-054007-70225-2](#) [00-054007-70227-6](#) [00-054007-70231-3](#) [00-054007-70241-2](#) [00-054007-70242-9](#) [00-054007-70244-3](#) [00-054007-70246-7](#) [00-054007-70263-4](#) [00-054007-70288-7](#) [00-054007-70290-0](#) [00-054007-70300-6](#) [00-054007-70304-4](#) [01-2065-1-0216](#) [01-2900-1-04412](#) [00581P0075](#) [600TS-10](#) [60205-1](#) [604200-1](#) [605601-1](#) [60598-1-CUT-TAPE](#) [61314-6-C](#) [61810-3](#) [61-S](#) [61-SN](#) [626-0194](#) [62-NBM-A](#) [62-SN](#) [62-SP](#) [63-S](#) [640179-1](#) [M55155/059I03](#) [M55155/079C01](#) [M55155/099H02](#) [M55155/109H01](#) [M55155/109H02](#) [M55155/12XH05](#) [M55155/16XH02](#) [M55155/29-5S](#)