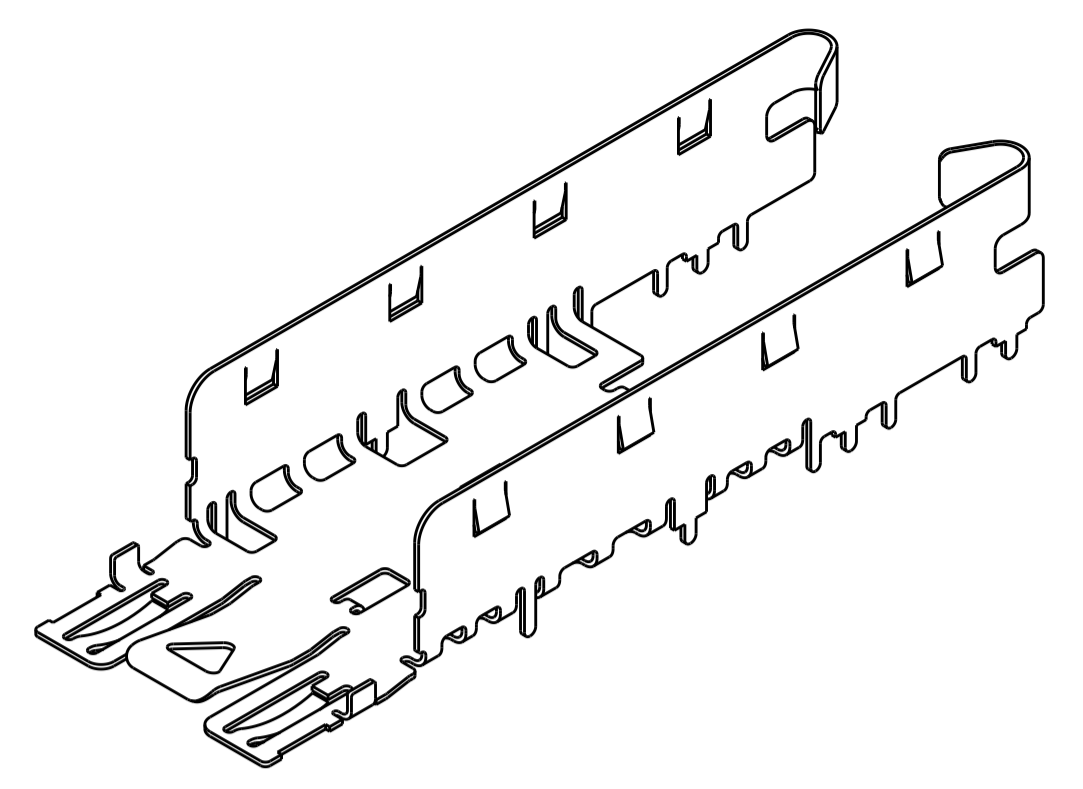
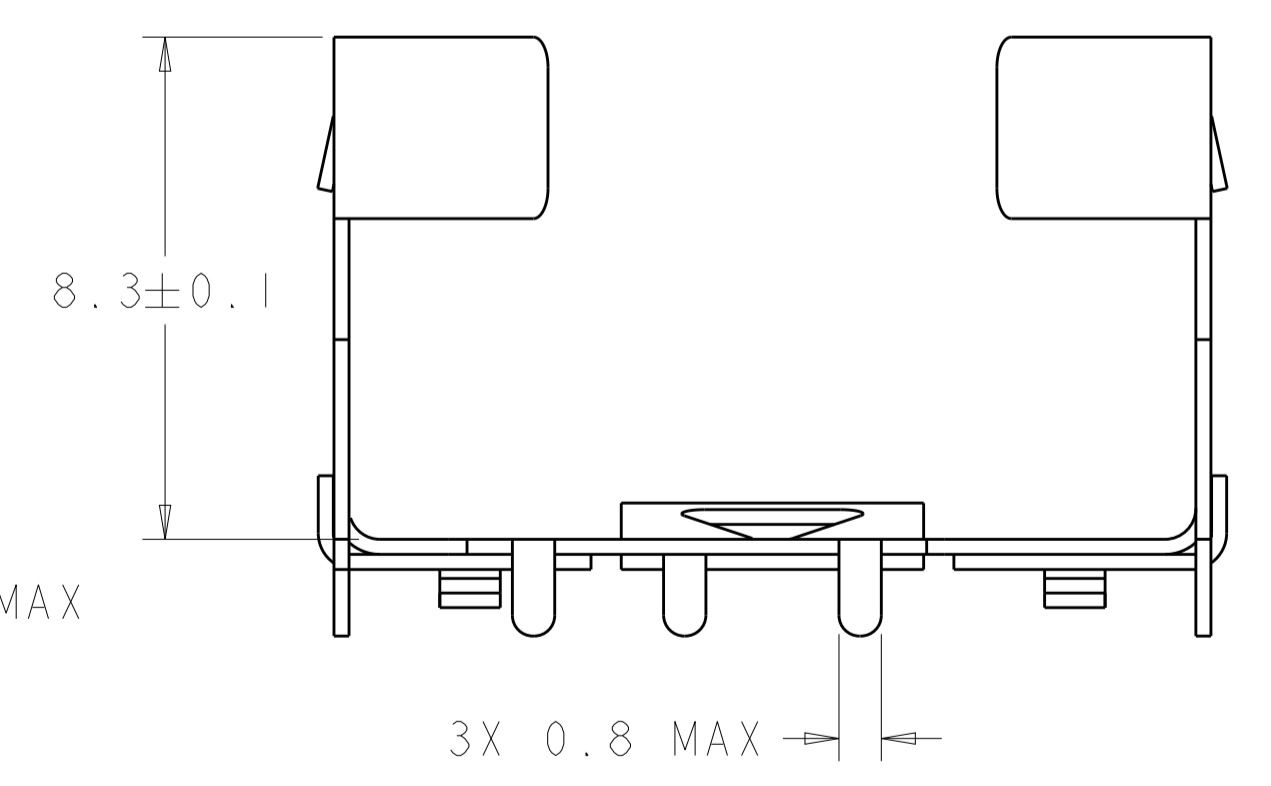
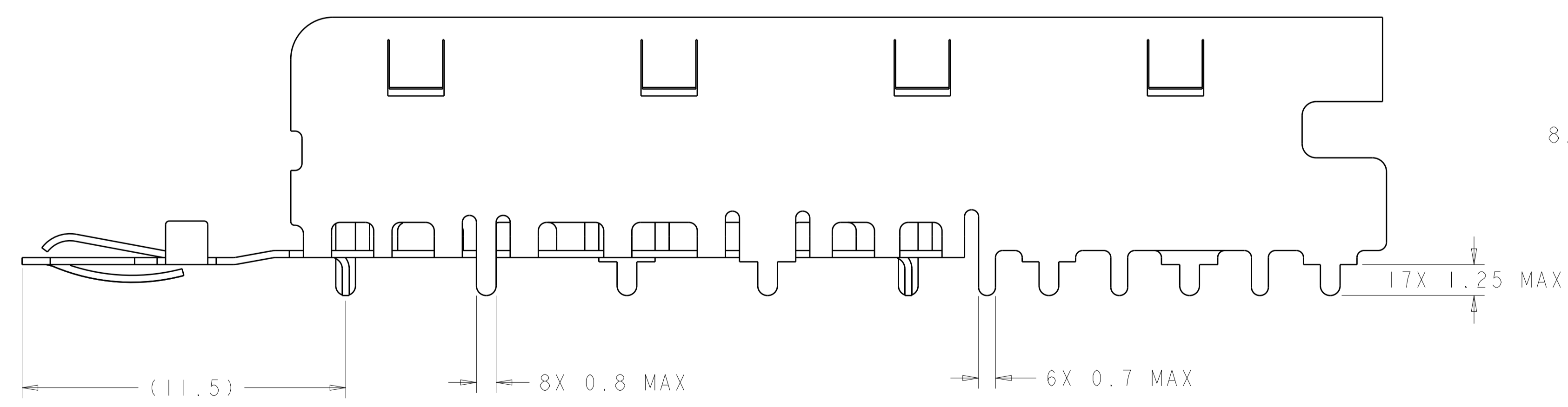
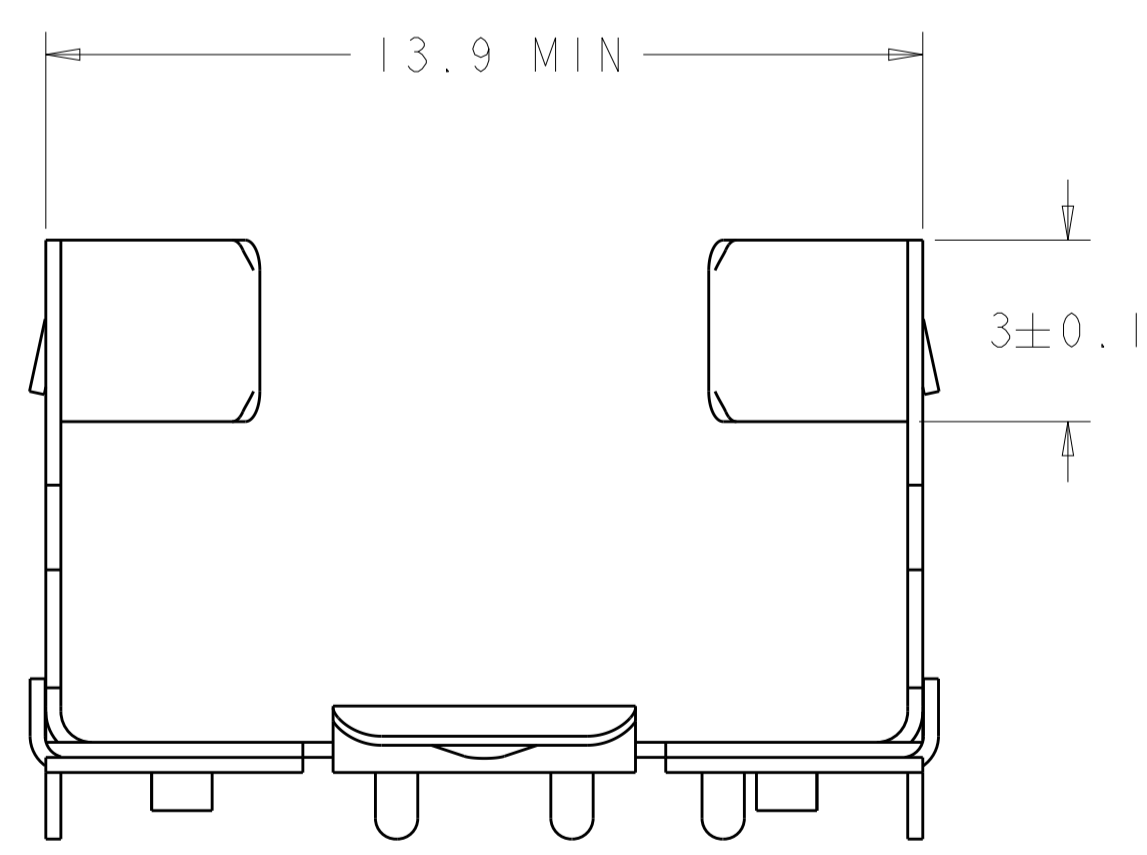
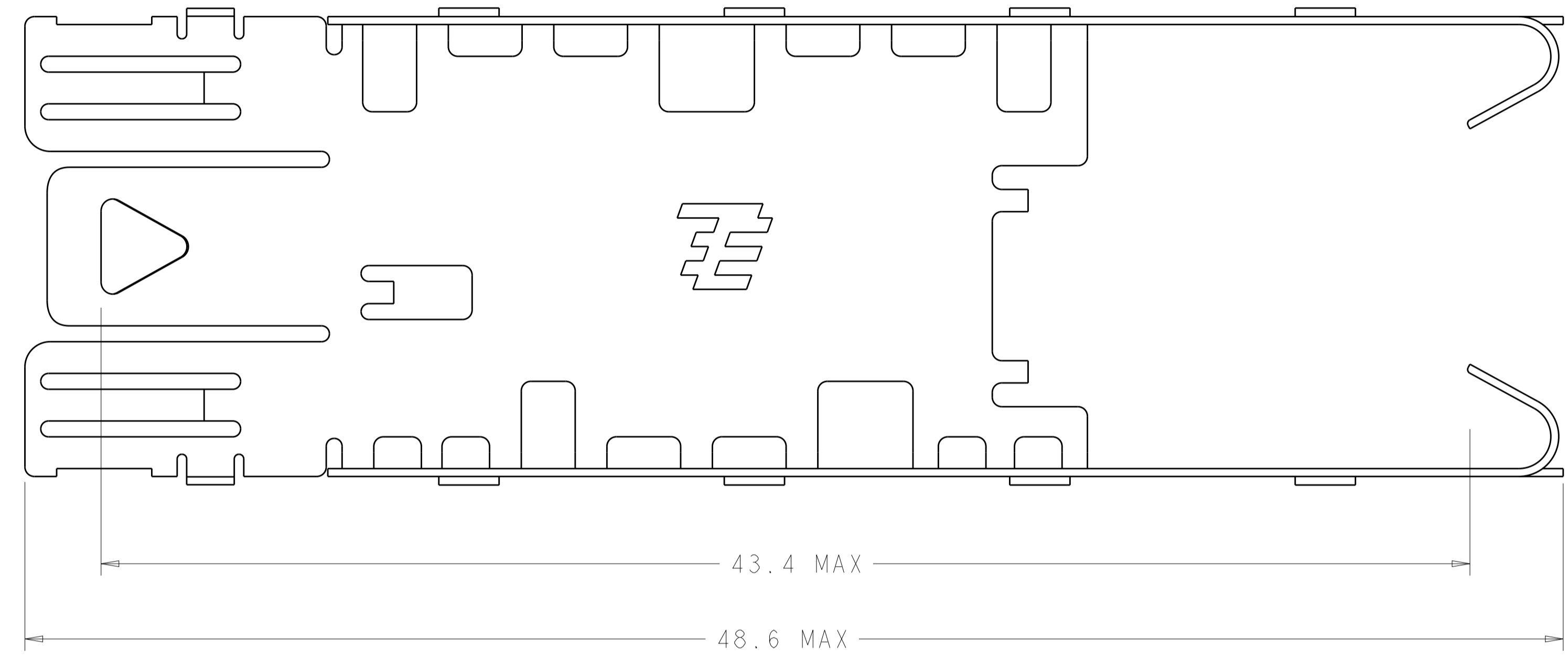


LOC		DIST		REVISIONS			
GP	00	P	LTN	DESCRIPTION	DATE	DWN	APVD
		C1		REVISED PER ECO-11-005033	19MAR2011	RK	HMR
		C2		REVISED PER ECO-18-004515	23MAR2018	IT	SH



SCALE 3:1

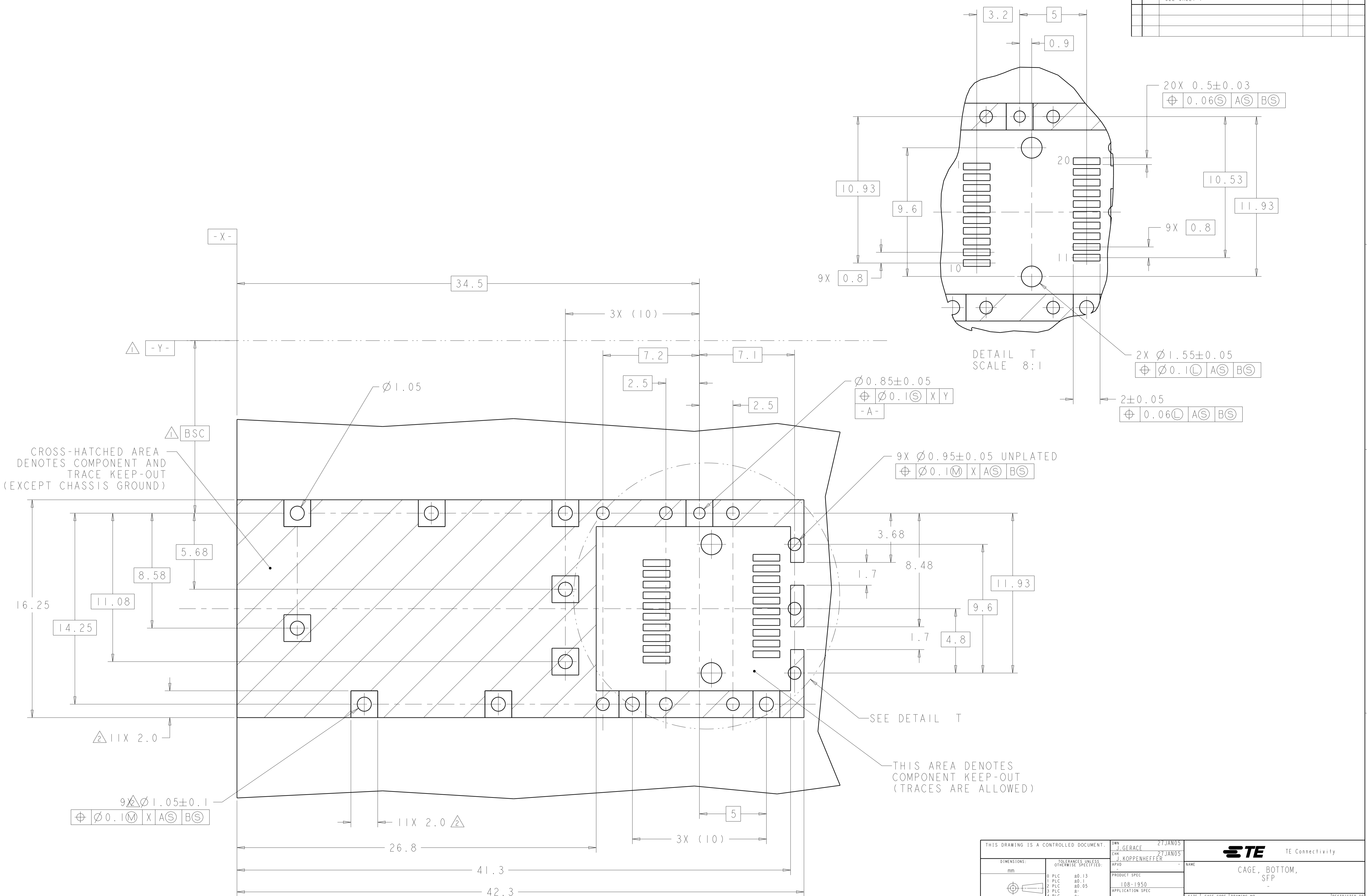
- △ DATUM AND BASIC DIMENSION, TO BE ESTABLISHED BY CUSTOMER.
 - △ PADS AND VIAS ARE CHASSIS GROUND.
 - △ COPPER ALLOY, 0.25 THICKNESS.
 - △ 1.25 MICRONS MIN TIN OVER 0.125 MICROMETERS MIN NICKEL. BARE EDGES PERMISSIBLE.
5. PACKAGED 240 PIECES PER 13 INCH REEL.



OBSELETE 6367034-1
PART NUMBER

THIS DRAWING IS A CONTROLLED DOCUMENT.		DWN J. GERACE 27JAN05	TE Connectivity	
DIMENSIONS:		CHK J. KOPPENHEFFER 27JAN05	CAGE, BOTTOM, SFP	
TOLERANCES UNLESS OTHERWISE SPECIFIED:		APVD	PRODUCT SPEC 108-1950	
mm		NAME	APPLICATION SPEC	
0 PLC	±0.13	SIZE	CAGE CODE	DRAWING NO
1 PLC	±0.1	RESTRICTED TO	A100779C=6367034	
2 PLC	±0.05	SCALE	8:1	SHEET 1 OF 2
3 PLC	±	REV	C2	
4 PLC	±	CUSTOMER DRAWING		
ANGLES	±			
MATERIAL	FINISH			
△3	△4			

LOC	DIST	REVISIONS					
GP	00	P.	LTH	DESCRIPTION	DATE	DWN	APVD
		-	-	SEE SHEET 1	-	-	-



CROSS-HATCHED AREA DENOTES COMPONENT AND TRACE KEEP-OUT (EXCEPT CHASSIS GROUND)

SEE DETAIL T
THIS AREA DENOTES COMPONENT KEEP-OUT (TRACES ARE ALLOWED)

RECOMMENDED P.C.B. CONFIGURATION

THIS DRAWING IS A CONTROLLED DOCUMENT.		DWN J. GERACE 27JAN05	 TE Connectivity
DIMENSIONS: mm		CHK J. KOPPENHEFFER	
TOLERANCES UNLESS OTHERWISE SPECIFIED: 0 PLC ±0.13 1 PLC ±0.1 2 PLC ±0.05 3 PLC ± 4 PLC ± ANGLES ±		APVD	NAME CAGE, BOTTOM, SFP
MATERIAL		PRODUCT SPEC 108-1950	SIZE A100779
FINISH		APPLICATION SPEC 114-13017	CAGE CODE DRAWING NO C=6367034
		WEIGHT	RESTRICTED TO
		CUSTOMER DRAWING	SCALE 8:1 SHEET 2 OF 2 REV C2

X-ON Electronics

Largest Supplier of Electrical and Electronic Components

Click to view similar products for [I/O Connectors](#) category:

Click to view products by [TE Connectivity](#) manufacturer:

Other Similar products are found below :

[571763P](#) [72.250.1628.2](#) [72.250.2428.2](#) [74720-0505](#) [76.350.0729.0](#) [76871-1403](#) [FCN-244F080-G/1](#) [FCN-260A9920](#) [MP-5T180MUNNA-005](#)
[PCR-E36PM](#) [PCS-XE26MA+](#) [G38A71314B](#) [1571250010](#) [157-22500-3](#) [MS3471L14-19P L/C](#) [91-569786-35H](#) [172501-4002](#) [172501-6002](#)
[FCN-260C008-A/L0](#) [FCN-260C024-AL0](#) [FCN-261Z008](#) [2000314-1](#) [200331-1](#) [PCR-E36FC+](#) [PCS-E28FS+](#) [PCS-XE26SLFD+](#) [PCS-](#)
[XE26SLFDT+](#) [G730VID08BDC24](#) [U90B2054081210](#) [UE86K842720321](#) [38113800006](#) [DP3AR020WQ1R200](#) [Z4.102.0680.0](#) [500-1040](#)
[500-1052](#) [500-1054](#) [ZP-4008-66L](#) [0709821002](#) [10-565995-597N](#) [DX40-20P\(55\)](#) [5554841-1](#) [U90B3054061110](#) [U65-E04-4020](#)
[ZPF00000000097891](#) [557-262M2-06C](#) [747360449](#) [10099439-003C-TRLF](#) [10137239-0021LF](#) [E9320-001-01](#) [10137239-0011LF](#)