

THIS DRAWING IS UNPUBLISHED.

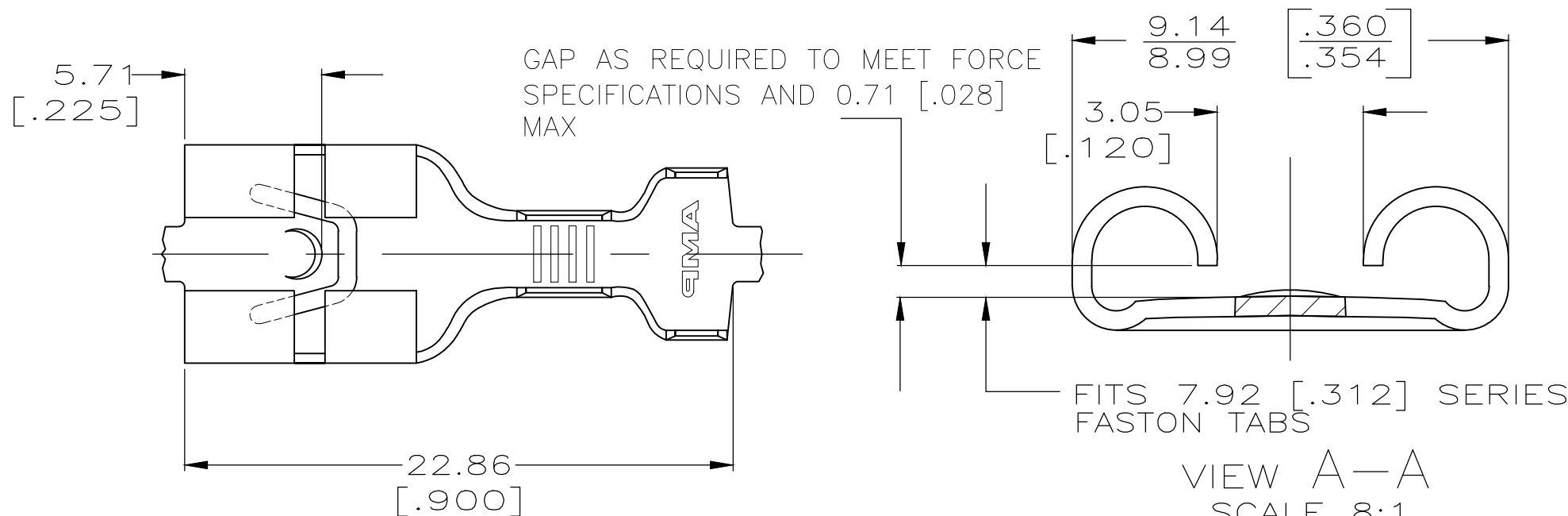
RELEASED FOR PUBLICATION

ALL RIGHTS RESERVED.

LOC AF DIST 50

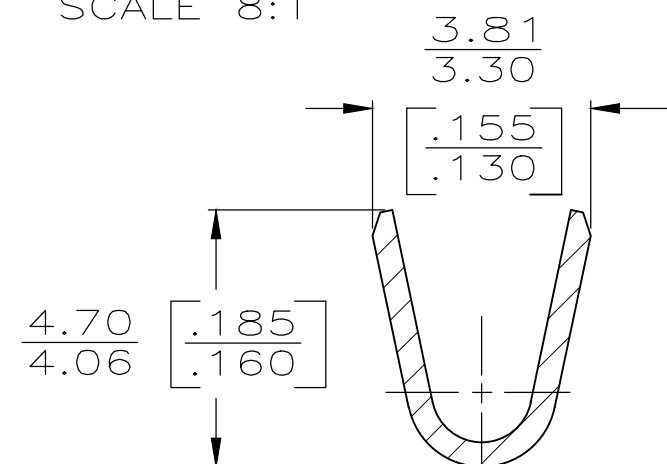
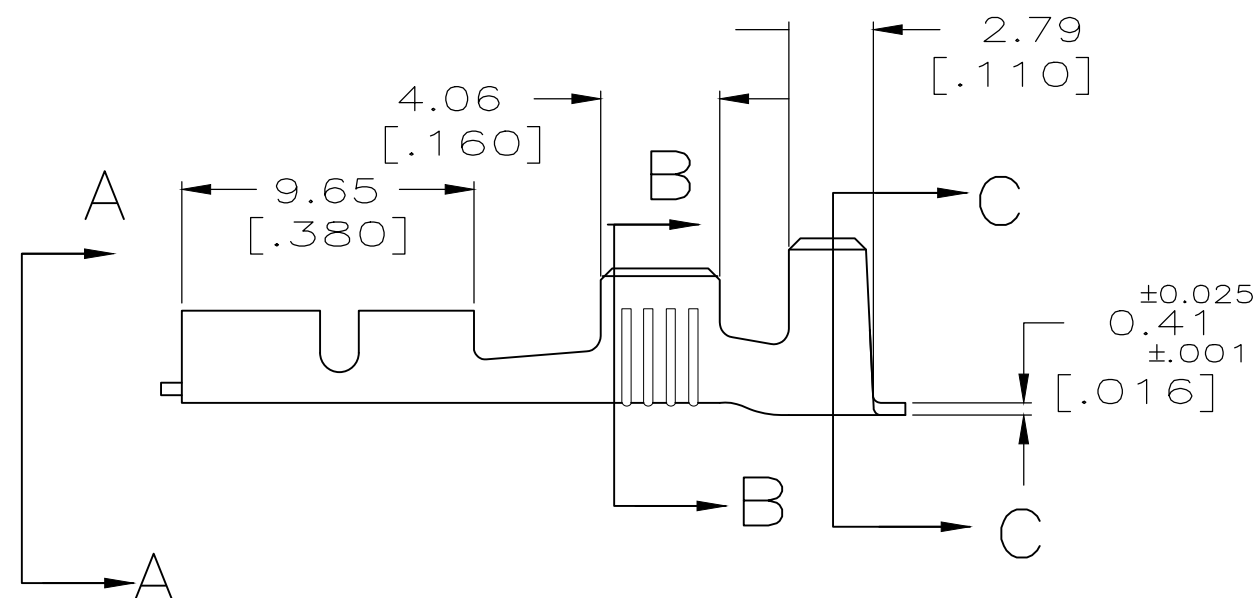
REVISIONS

P	LTR	DESCRIPTION	DATE	DWN	APVD
	H1	REVISED PER ECR-20-009164	20JUL2020	MK	DH

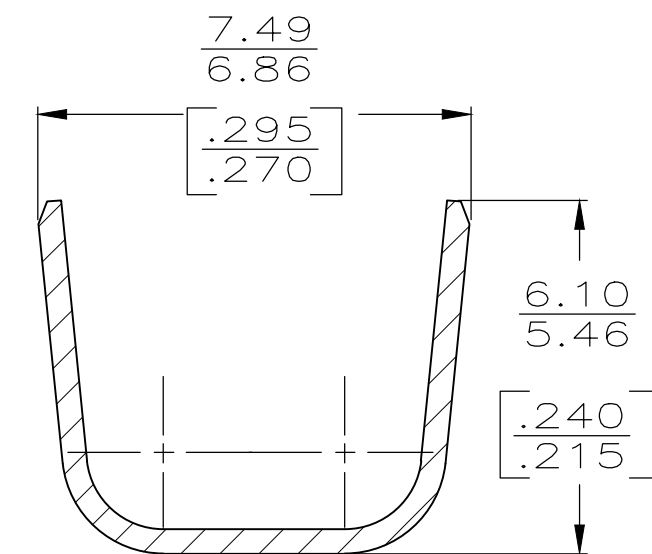


- 1 CONTINUOUS STRIP ON REELS.
- 2 MATING TAB THK TO BE 0.84-0.76 [.033-.030].
- 3 WIRE SIZE IS [#16-#12] AWG.
- 4 INSULATION RANGE IS 4.06 OR (2) 3.30 [.160 OR (2) .130].

VIEW A-A SCALE 8:1



SECTION B-B SCALE 8:1

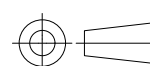


SECTION C-C SCALE 8:1

TYPE	WIDTH	STRIP LENGTH	TYPE	WIDTH	HEIGHT	WIRE
F	6.35 [.250]	5.59 [.220]	F	3.05 [.120]	1.75 [.069]	1.3mm ² [16]
					1.96 [.077]	2.0mm ² [14]
					2.29 [.090]	3.0mm ² [12]
					1.96 [.077]	1.3 + 0.8mm ² [16 + 18]
					2.11 [.083]	TWO 1.3mm ² [TWO #16'S]
					1.85 [.073]	TWO 0.8mm ² [TWO #18'S]
		±0.38 ±[.015]			±0.051 [±.002]	
INSUL BARREL CRIMP			WIRE BARREL CRIMP			

THIS DRAWING IS A CONTROLLED DOCUMENT.

DIMENSIONS: mm [INCHES]



TOLERANCES UNLESS OTHERWISE SPECIFIED:

0 PLC	± -
1 PLC	± -
2 PLC	± 0.25 [.010]
3 PLC	± -
4 PLC ANGLES	± -
FINISH	± -

MATERIAL BRASS

SEE TABLE

DWN JR RUTH 9/29/92

CHK MS FEHER 9/29/92

APVD C MEYERS 9/29/92

PRODUCT SPEC

APPLICATION SPEC

114-2036

WEIGHT -

CUSTOMER DRAWING

-	63677-2
TIN	63677-1
FINISH	PART NO

STE TE Connectivity

RECEPTACLE, FASTON, 7.92 [.312] SERIES

SIZE	CAGE CODE	DRAWING NO	RESTRICTED TO
A3	00779	C-63677	-

SCALE 4:1 SHEET 1 OF 1 REV H1

X-ON Electronics

Largest Supplier of Electrical and Electronic Components

Click to view similar products for [Terminals](#) category:

Click to view products by [TE Connectivity](#) manufacturer:

Other Similar products are found below :

[00-054007-01074-6](#) [00-054007-70206-1](#) [00-054007-70210-8](#) [00-054007-70217-7](#) [00-054007-70226-9](#) [00-054007-70228-3](#) [00-054007-70248-1](#) [00-054007-70256-6](#) [00-054007-70301-3](#) [00-054007-70316-7](#) [00-054007-49560-4](#) [00-054007-70209-2](#) [00-054007-70225-2](#) [00-054007-70227-6](#) [00-054007-70231-3](#) [00-054007-70241-2](#) [00-054007-70242-9](#) [00-054007-70244-3](#) [00-054007-70246-7](#) [00-054007-70263-4](#) [00-054007-70288-7](#) [00-054007-70290-0](#) [00-054007-70300-6](#) [00-054007-70304-4](#) [01-2065-1-0216](#) [01-2900-1-04412](#) [00581P0075](#) [600TS-10](#) [60205-1](#) [604200-1](#) [605601-1](#) [60598-1-CUT-TAPE](#) [61314-6-C](#) [61810-3](#) [61-S](#) [61-SN](#) [626-0194](#) [62-NBM-A](#) [62-SN](#) [62-SP](#) [63-S](#) [640179-1](#) [M55155/059I03](#) [M55155/079C01](#) [M55155/099H02](#) [M55155/109H01](#) [M55155/109H02](#) [M55155/12XH05](#) [M55155/16XH02](#) [M55155/29-5S](#)