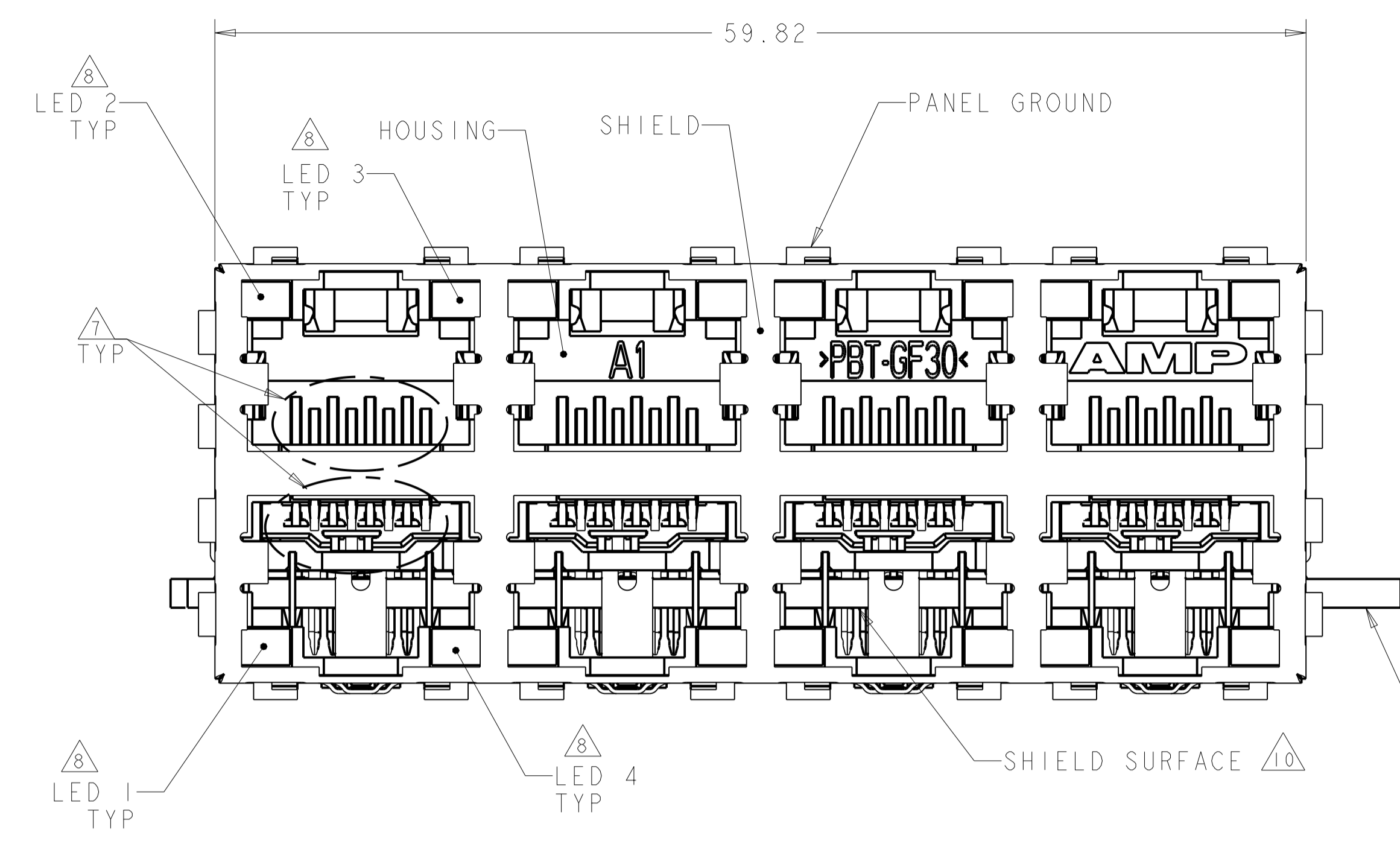
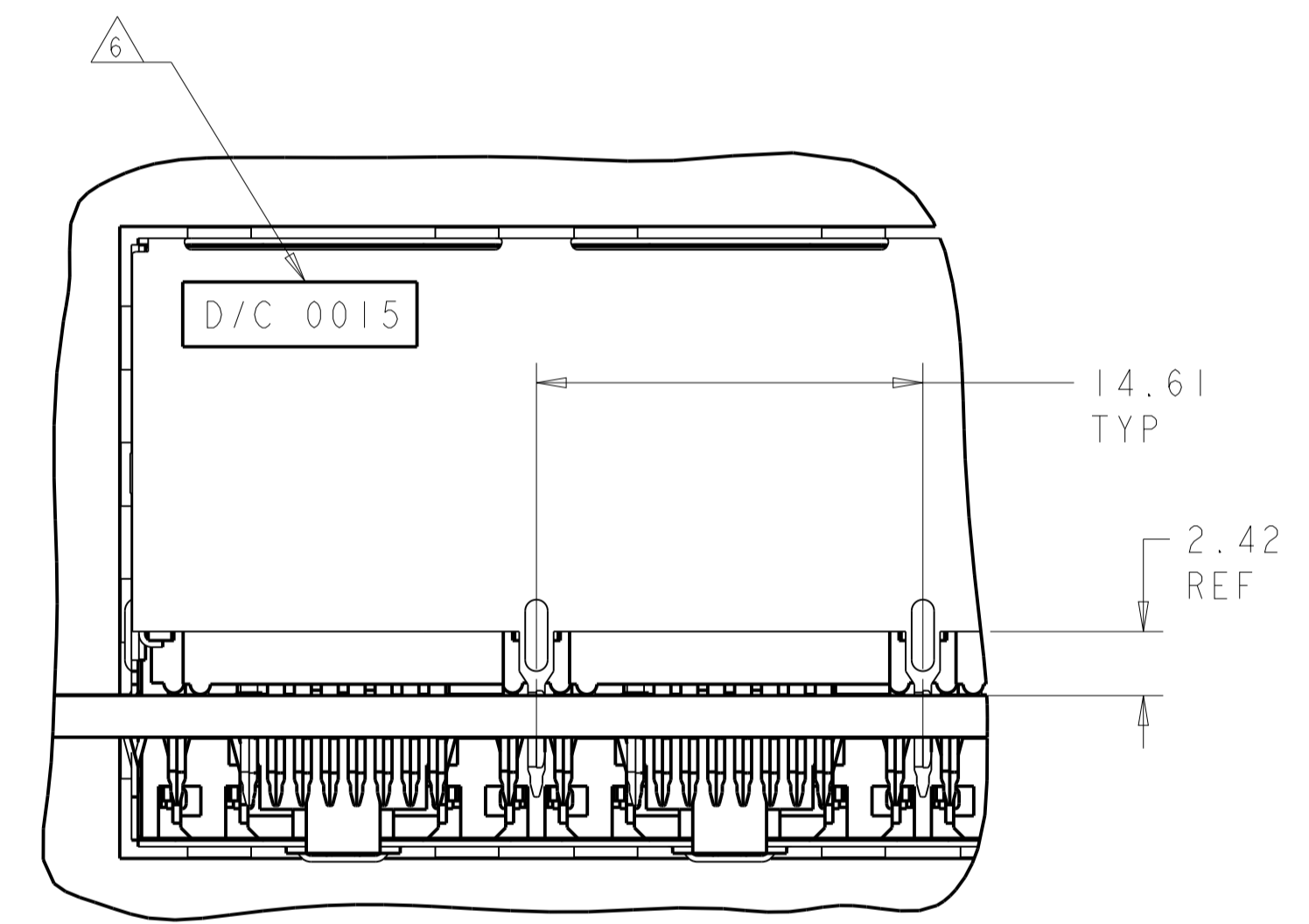


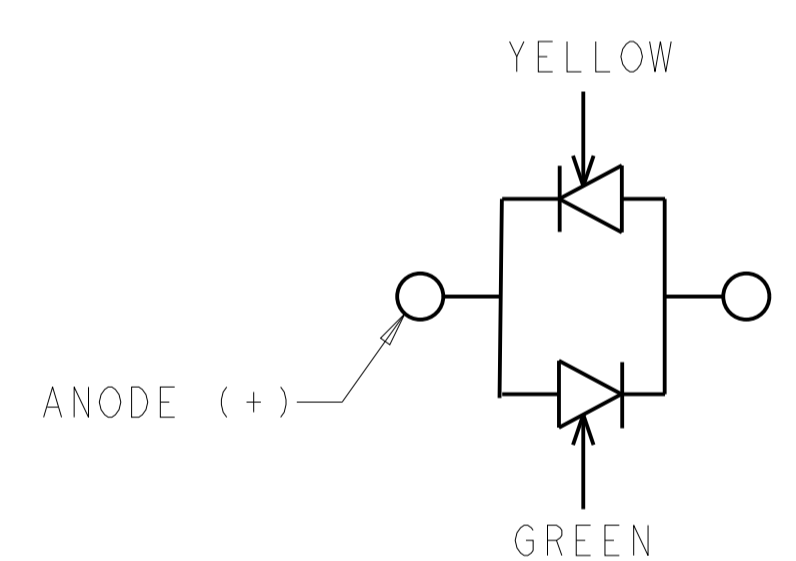
LOC	DIST	REVISIONS					
AA	22	P	LTN	DESCRIPTION	DATE	OWN	APVD
		C4		ECR-12-003298	13FEB2012	JJ	AC
		D		REV PER ECR-13-009307	8JUN2013	D.Z	S.H
		E		ECO-15-006810	29DEC2015	LL	SH
		E1		REVISED PER ECO-21-000623	28JUL2020	IT	SH



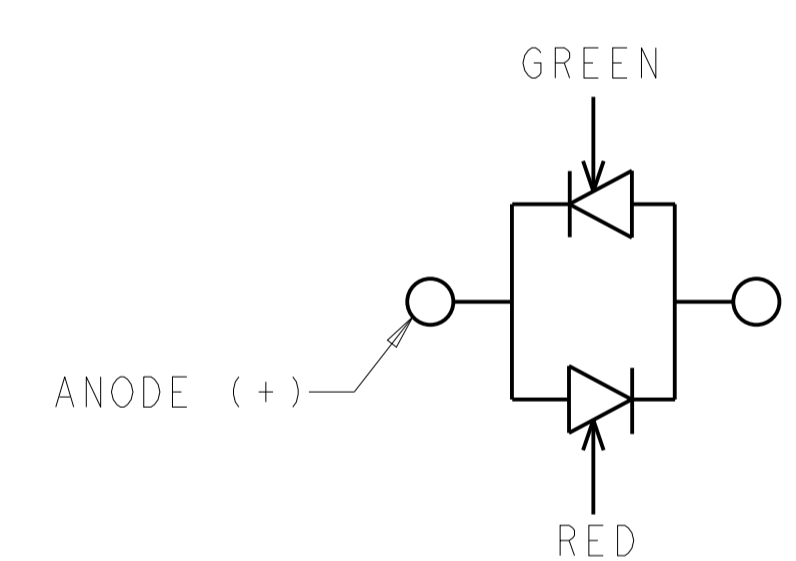
P/N 6368062-2 SHOWN



PARTIAL BACK VIEW

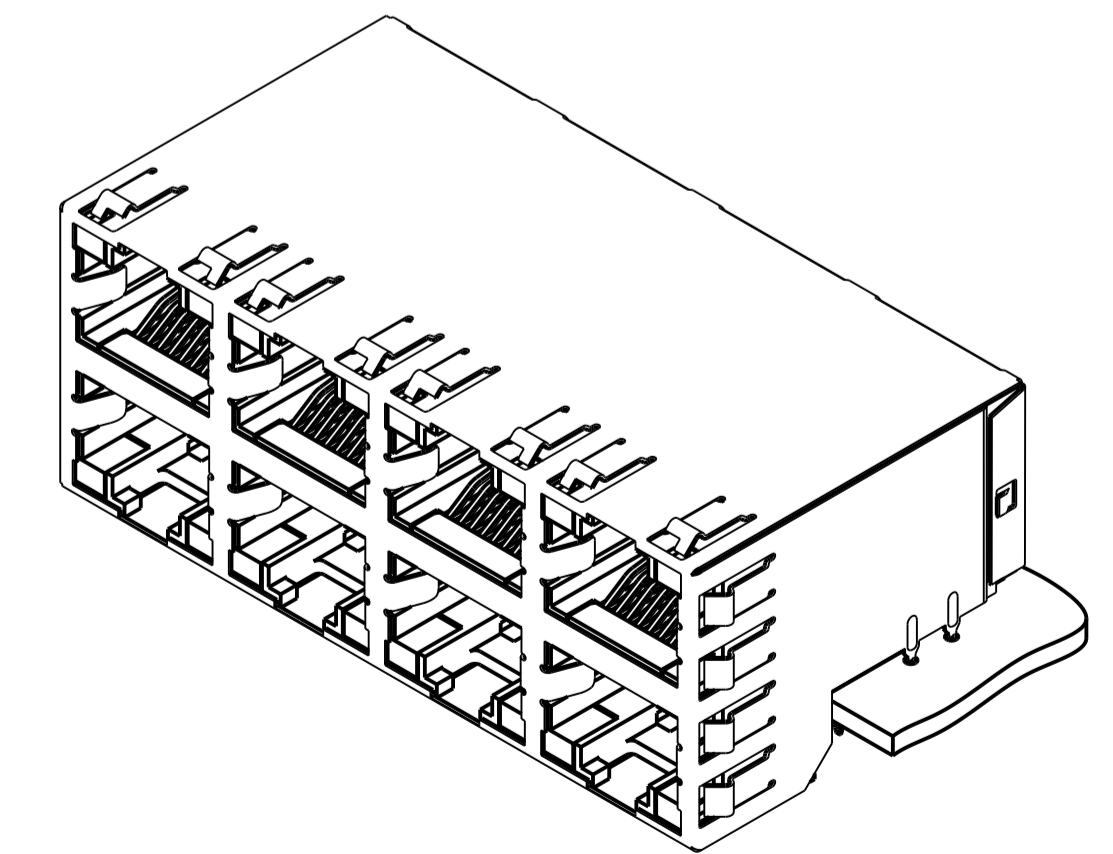


LED CURRENT DIAGRAM  
6368062-4, -7

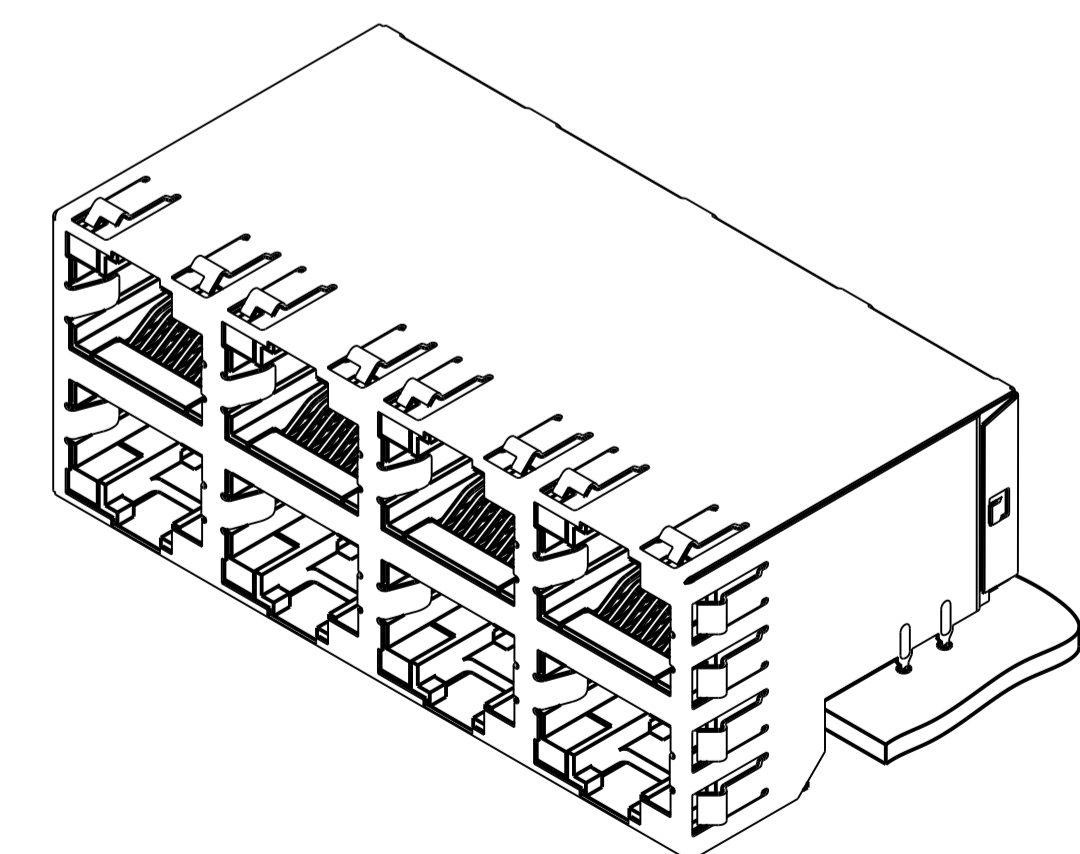


LED CIRCUIT DIAGRAM  
6368062-6

- MATERIAL:  
HOUSING  
PBT POLYESTER, BLACK, UL 94V-0.  
TERMINALS  
0.33 THICK PHOSPHOR BRONZE PLATED WITH 1.27µm MINIMUM THICK HARD GOLD IN LOCALIZED AREA AND 3.81µm MINIMUM THICK MATTE TIN IN ACTION PIN COMPLIANT PIN TERMINAL AREA OVER 1.27µm MINIMUM THICK NICKEL UNDERPLATE.  
SHIELD  
0.25 THICK COPPER ALLOY PLATED WITH 1.27 µm MINIMUM NICKEL  
LIGHT EMITTING DIODE (LED)  
DIFFUSED EPOXY LENS, 12.95 CARBON STEEL WIREFRAME LEADS PREPLATED WITH 8.89 µm THICK Sn/Cu OVER 2.03 µm THICK Ag OVER 1.02 µm THICK Cu OVER 3.56 µm THICK Ni OVER 1.02 µm THICK Cu UNDERPLATE  
LED ACTION PIN - COMPLIANT PIN CONTACTS  
0.3 THICK BRASS PLATED WITH 2µm MINIMUM MATTE TIN OVER 1.27µm MINIMUM NICKEL UNDERPLATE.
- JACK CAVITY CONFORMS TO FCC RULES AND REGULATIONS, PART 68 SUBPART F.
- ALL DIMENSIONS ARE NOMINAL UNLESS OTHERWISE SPECIFIED.
- DRILLED HOLE DIA = 1.02±.025.  
COPPER THICKNESS = 0.025-0.075.  
TIN LEAD THICKNESS = 0.008 MIN.
- DATUMS AND BASIC DIMENSIONS ESTABLISHED BY CUSTOMER.
- DATE CODE LOCATED ON REAR OF PART APPROXIMATELY AS SHOWN.
- CONTACTS ARE NOT INTENDED TO BE ALIGNED WITH EACH OTHER.
- SUGGESTED OPERATING CURRENT FOR LEDS IS 20 mA.
- TWO LEDS PER PORT, SIZE .079 X .118, SEE TABLE FOR COLOR
- CLEAR 0.038 MIN THICK SURFACE PROTECTION TAPE APPLIED TO SHIELD SURFACE. FILM DOES NOT HAVE CUTOUTS IN EACH PORT. REMOVE TAPE PRIOR TO MATING A MODULAR PLUG TO THE JACK
- MATERIAL:  
SHIELD  
0.25 THICK COPPER ALLOY PLATED WITH 1.27 µm MINIMUM SATIN NICKEL.
- THE PART NUMBER 6368062-7 IS PRELIMINARY.
- ONLY FOR 6368062-8  
CONTACT AREA LUBRICATED WITH BELLCORE APPROVED LUBRICANT TECHNICAL REFERENCE GR-1217-CORE ISSUE 1, NOVEMBER 1995.
- THE PART 6368062-9 IS ONLY FOR CUSTOMER ZYNX SPECIAL LED LUMINOUS INTENSITY REQUEST. ( GREEN:13-20 mcd. YELLOW:6-9 mcd.)



PN 6368062-1, -2, -3, -4, -5, -6, -8  
AND 1-6368062-6  
SCALE 2:1



PN 6368062-7  
SCALE 2:1

△1	YELLOW	YELLOW	GREEN	GREEN	WITHOUT GROUND CLIP	1-6368062-6
△4	YELLOW	YELLOW	GREEN	GREEN	WITHOUT GROUND CLIP	6368062-9
△3	GREEN	GREEN	GREEN	GREEN	WITHOUT GROUND CLIP	6368062-8
-	N/A	N/A	GREEN/YELLOW	GREEN/YELLOW	WITHOUT GROUND CLIP	6368062-7 △1
-	RED/GREEN	RED/GREEN	RED/GREEN	RED/GREEN	WITH GROUND CLIP	6368062-6
△10	GREEN	GREEN	GREEN	GREEN	WITH GROUND CLIP	6368062-5
-	GREEN/YELLOW	GREEN/YELLOW	GREEN/YELLOW	GREEN/YELLOW	WITH GROUND CLIP	6368062-4
-	YELLOW	YELLOW	GREEN	GREEN	WITHOUT GROUND CLIP	6368062-3
-	GREEN	GREEN	GREEN	GREEN	WITH GROUND CLIP	6368062-2
-	GREEN	GREEN	GREEN	GREEN	WITHOUT GROUND CLIP	6368062-1
REMARKS	LED #4 (LOWER-RIGHT)	LED #3 (UPPER-RIGHT)	LED #2 (UPPER-LEFT)	LED #1 (LOWER-LEFT)	DESCRIPTION	PART NUMBER

THIS DRAWING IS A CONTROLLED DOCUMENT.

OWN: L.A.MAYER 15APR2005  
CHK: J.WESTMAN 15APR2005  
APVD: S.FELICKINGER 15APR2005

TE Connectivity

NAME: STACKED MODULAR JACK ASSEMBLY, 2x4 OFFSET, WITH LEDS, 8 POSN, RJ45 SHIELDED, PANEL GROUNDS, CAT 5

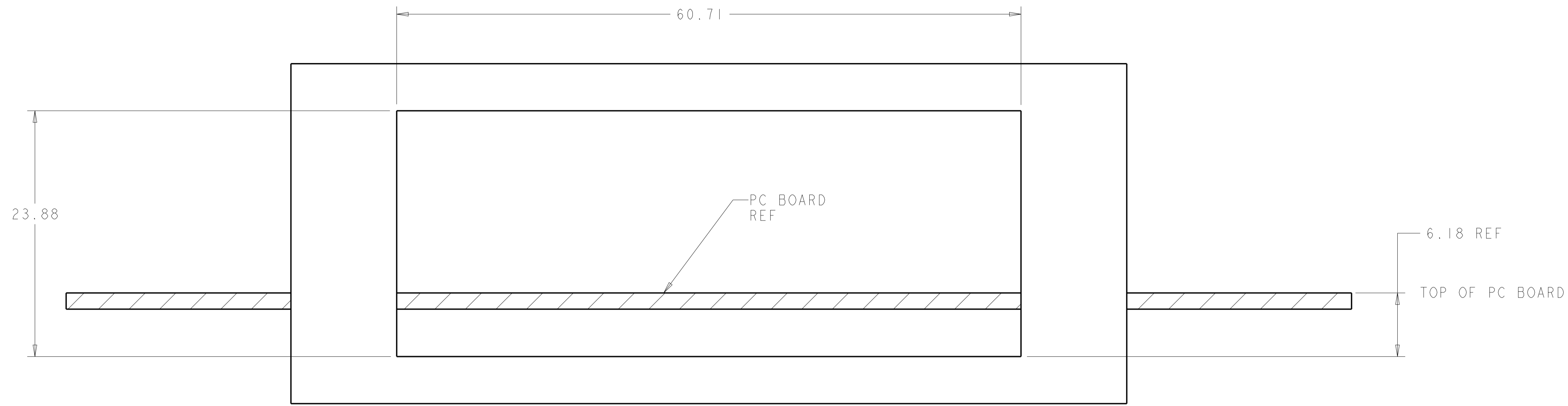
PRODUCT SPEC: 108-1854  
APPLICATION SPEC: 114-2160  
SIZE: 100779  
CAGE CODE: 6368062  
WEIGHT: -  
Customer Drawing

SCALE: 4:1 SHEET 1 OF 2 REV E1

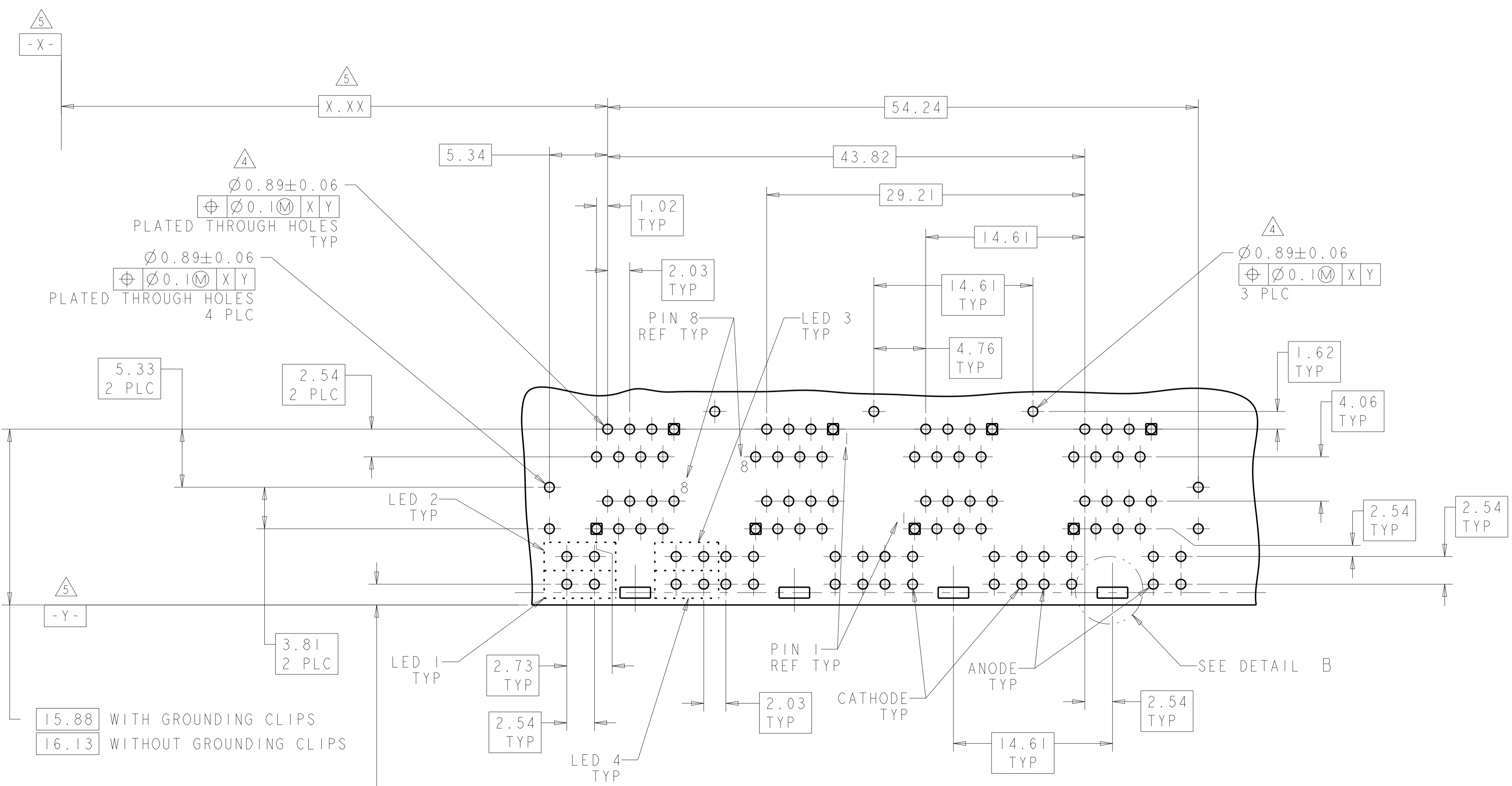
LOC	DIST	REV	DATE	BY	APPV
AA	22				

REVISIONS					
REV	DATE	BY	APPV	DESCRIPTION	DATE
-	-	-	-	SEE SHEET 1	-

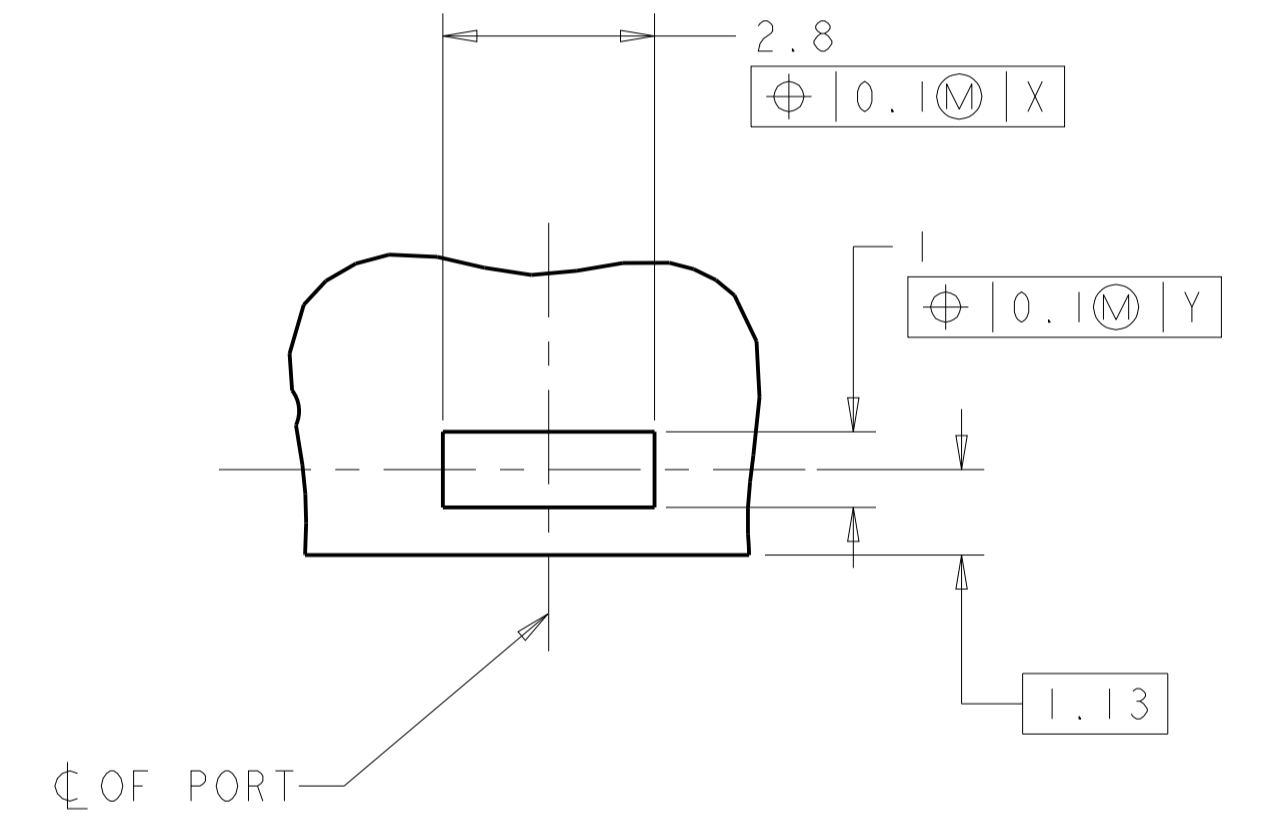


RECOMMENDED PANEL CUT-OUT



PC BOARD LAYOUT  
(COMPONENT SIDE)  
LED #3, #4 NOT REQUIRED FOR 6368062-7

PARTS WITH GROUNDING CLIPS = 1.65  
PARTS WITHOUT GROUNDING CLIPS = 1.91



DETAIL B  
PLATED PADS REQUIRED FOR 6368062-2, -4, -5 & -6  
(PRODUCT WITH GROUNDING CLIPS)  
SCALE 10:1  
4 PLACES

THIS DRAWING IS A CONTROLLED DOCUMENT.		OWN: L.A. MAYER 15APR2005	 TE Connectivity										
DIMENSIONS: mm		CHK: J. WESTMAN 15APR2005											
TOLERANCES UNLESS OTHERWISE SPECIFIED:		APPV: S. FLICKINGER 15APR2005	NAME: STACKED MODULAR JACK ASSEMBLY, 2x4 OFFSET, WITH LEDS, 8 POSN, RJ45 SHIELDED, PANEL GROUNDS, CAT 5										
<table border="1"> <tr> <td>0 PLC</td> <td>±</td> </tr> <tr> <td>1 PLC</td> <td>±0.13</td> </tr> <tr> <td>2 PLC</td> <td>±0.13</td> </tr> <tr> <td>3 PLC</td> <td>±</td> </tr> <tr> <td>4 PLC</td> <td>±</td> </tr> </table>		0 PLC	±	1 PLC	±0.13	2 PLC	±0.13	3 PLC	±	4 PLC	±	PRODUCT SPEC: 108-1854	SIZE: A1
0 PLC	±												
1 PLC	±0.13												
2 PLC	±0.13												
3 PLC	±												
4 PLC	±												
MATERIAL: FINISH: ANGLE: ±1		APPLICATION SPEC: 114-2160	WEIGHT: -										
Customer Drawing		SCALE: 4:1	SHEET: 2 OF 2										

## X-ON Electronics

Largest Supplier of Electrical and Electronic Components

*Click to view similar products for [Modular Connectors / Ethernet Connectors](#) category:*

*Click to view products by [TE Connectivity](#) manufacturer:*

Other Similar products are found below :

[8949-H88/06BLKA/SN](#) [74441-0010/BKN](#) [MP1010RX-1000](#) [MP44RX-1000](#) [PHJ-4P4C-1-V-4](#) [PHP-6P6C-5](#) [GAX-3-66](#) [GAX-8-62](#) [GDCX-PA-66-50](#) [GDCX-PN-64](#) [GDCX-PN-66](#) [GDCX-PN-66-50](#) [GDLX-A-66](#) [GDLX-N-66](#) [GDLX-S-66](#) [GDLX-S-88K](#) [GDTX-S-88-50](#) [GDX-PA-1010](#) [GLX-N-1010M-BLK](#) [GLX-S-88M-BLK](#) [GMX-N-1010](#) [GMX-S-1010](#) [GMX-S-66](#) [GMX-SMT4-N-88](#) [GPX-2-64](#) [GSGX-N-2-88](#) [GSGX-N-4-88](#) [GSX-NS2-88-3.05](#) [GSX-NS2-88-3.05-50](#) [GSX-NS-88-3.05-50](#) [PT-108A-8C-UL](#) [PT-J951-8C](#) [PTS-J531-8CS-50UL](#) [1-1775629-2](#) [A-2014-0-4](#) [GWLX-S-88-GR](#) [GWLX-S9-88-YG](#) [DC-1021-8-WH-6](#) [1300530003](#) [1324640-4](#) [RJ11FTVC2G](#) [RJ11FTVC2N](#) [RJFTVX2SA1G](#) [132764-001](#) [1413235](#) [MP88X-1000](#) [MPS88RX-5000](#) [E5288-S000K3-L](#) [E5908-15A242-L](#) [155302-001](#)