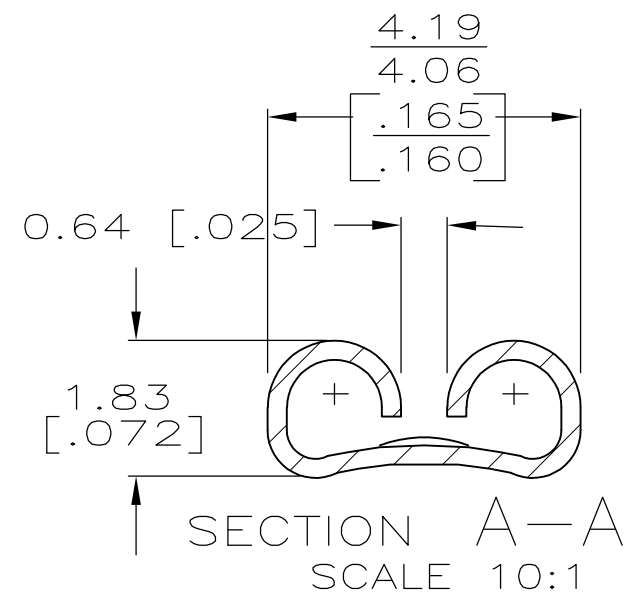
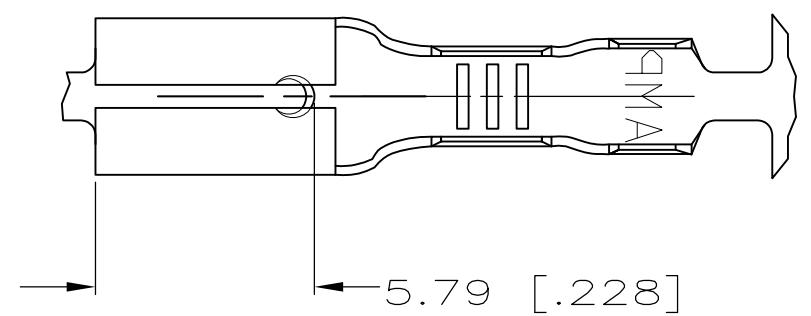
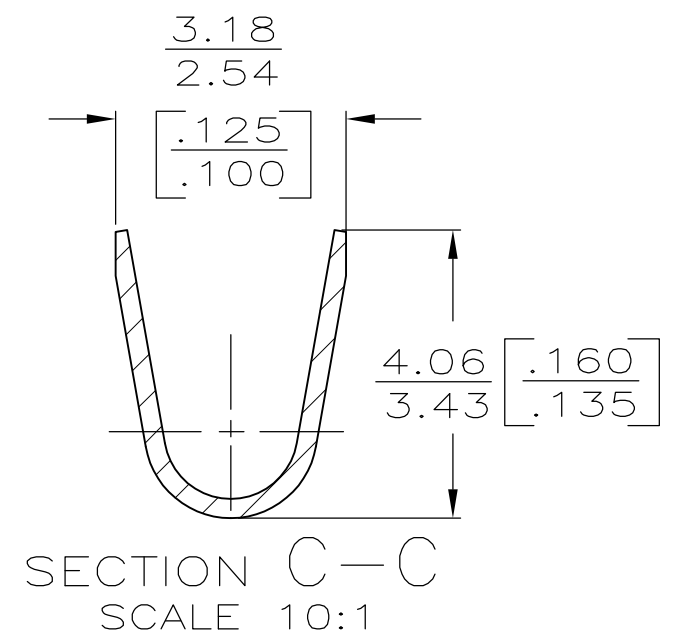
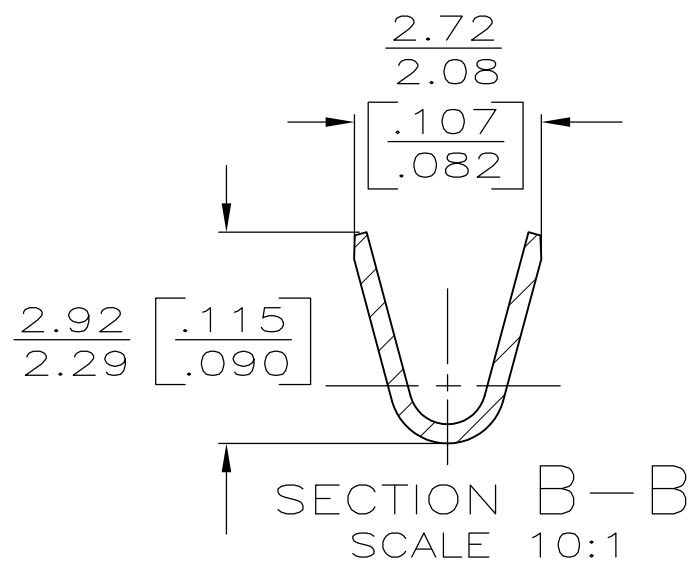
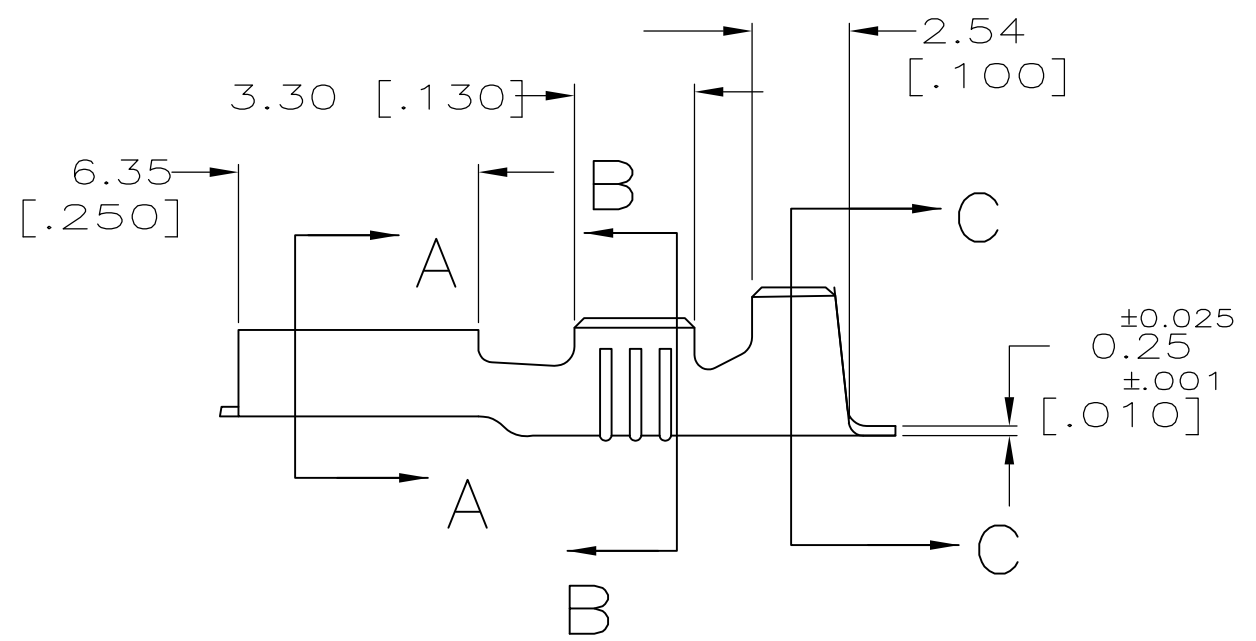


THIS DRAWING IS UNPUBLISHED. RELEASED FOR PUBLICATION  
 © COPYRIGHT - By - ALL RIGHTS RESERVED.

LOC	DIST	REVISIONS			
P	LTR	DESCRIPTION	DATE	DWN	APVD
AF	50	E	REVISED PER ECR-12-013518	23NOV2012	KH PD



- CONTINUOUS STRIP ON REELS
  - WIRE SIZE IS #22-#18 AWG
  - INSULATION RANGE IS 2.29-2.79 [.090-.110] DIA.
  - MATING TAB THK IS 0.51±0.025 [.020±.001].
- ⚠ PRELIMINARY - NOT FOR PRODUCTION



H04 PHOS BRONZE	⚠ 63705-3
BRASS	⚠ 63705-2
BRASS	63705-1
MATERIAL	PART NO.

THIS DRAWING IS A CONTROLLED DOCUMENT.		DWN	JR RUTH	3/31/93	TE Connectivity RECEPTACLE, FASTON, 3.18 [.125] SERIES					
DIMENSIONS: mm [INCHES]		CHK	MS FEHER	3/31/93				NAME		
TOLERANCES UNLESS OTHERWISE SPECIFIED:		APVD	J GILLISPIE	3/31/93				SIZE		
0 PLC ± - 1 PLC ± - 2 PLC ± 0.25 [.010] 3 PLC ± - 4 PLC ± - ANGLES ± -		PRODUCT SPEC	CAGE CODE					DRAWING NO	RESTRICTED TO	
MATERIAL SEE TABLE		FINISH	-		WEIGHT	A300779		C-63705		
CUSTOMER DRAWING					SCALE	5:1	SHEET	1 OF 1	REV	E

## X-ON Electronics

Largest Supplier of Electrical and Electronic Components

*Click to view similar products for [Terminals](#) category:*

*Click to view products by [TE Connectivity](#) manufacturer:*

Other Similar products are found below :

[00-054007-01074-6](#) [00-054007-70206-1](#) [00-054007-70210-8](#) [00-054007-70217-7](#) [00-054007-70226-9](#) [00-054007-70228-3](#) [00-054007-70248-1](#) [00-054007-70256-6](#) [00-054007-70301-3](#) [00-054007-70316-7](#) [0-0320562-0](#) [00-054007-49560-4](#) [00-054007-70209-2](#) [00-054007-70225-2](#) [00-054007-70227-6](#) [00-054007-70231-3](#) [00-054007-70241-2](#) [00-054007-70242-9](#) [00-054007-70244-3](#) [00-054007-70246-7](#) [00-054007-70263-4](#) [00-054007-70288-7](#) [00-054007-70290-0](#) [00-054007-70300-6](#) [00-054007-70304-4](#) [01-2065-1-0216](#) [01-2900-1-04412](#) [00581P0075](#) [600TS-10](#) [60205-1](#) [604200-1](#) [605601-1](#) [60598-1-CUT-TAPE](#) [61314-6-C](#) [61810-3](#) [61-S](#) [61-SN](#) [626-0194](#) [62-NBM-A](#) [62-SN](#) [62-SP](#) [63-S](#) [640179-1](#) [M55155/059I03](#) [M55155/079C01](#) [M55155/099H02](#) [M55155/109H01](#) [M55155/109H02](#) [M55155/12XH05](#) [M55155/16XH02](#)