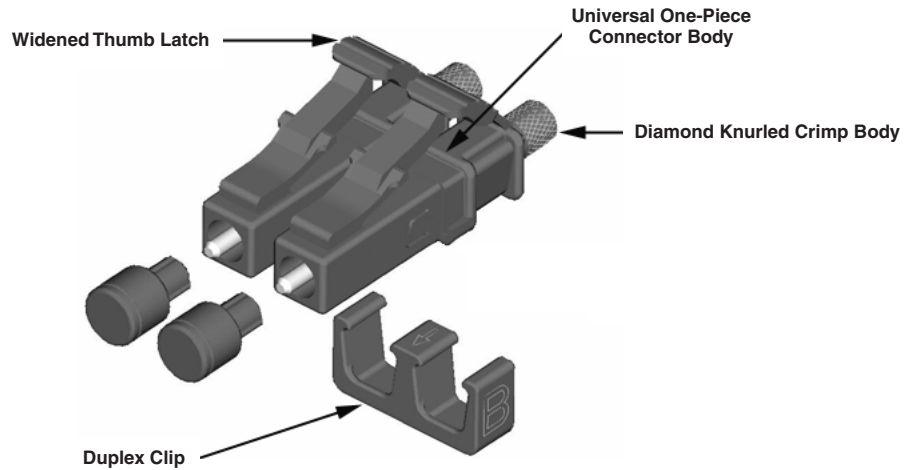


LC Optical Connectors

One-Piece LC Connector

Product Facts

- Singlemode Telecordia GR-326 tested (Report #501-652)
- Multimode TIA/EIA 568-B.3 tested
- Singlemode and Multimode are compatible with both anaerobic adhesives and heat cure epoxy adhesives
- Universal Connector Body
 - Common body for simplex or duplex
 - Common body for jumper or buffer applications
 - Fewer parts to inventory
- Duplex Clip
 - Field installable
 - Makes simplex assemblies duplex
 - Works to correct polarity errors
 - Used for both jumpers and buffered fiber applications
- One-Piece Body
 - Improved rigidity
 - Improved side-load strength



- Color coded to comply with 568 C
 - Aqua for 50/125 laser optimized
 - Black for standard 50/125
 - Beige for 62.5/125
 - Blue for singlemode

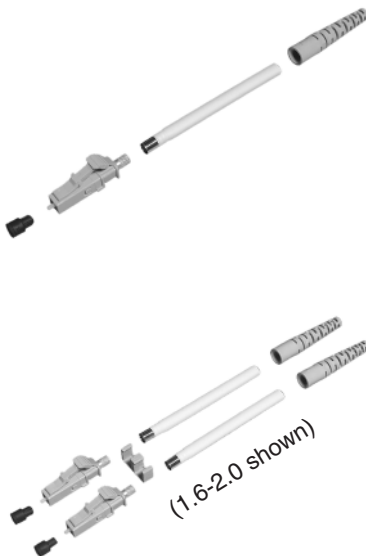
- Widened Thumb Latch
 - Increased hit area
 - Increased bend strength
 - Ramped front latch for snag resistance
- Diamond Knurled Crimp Body
 - Increased tensile proof strength
 - Identical to Tyco Electronics' SC/FC design

- Performance Characteristics**
- Insertion Loss — 0.2 dB Typical
 - Reflectance — -55 dB Typical
 - Operating Temperature — -40°C to +75°C
 - Durability — 500 Cycles

LC Connector Kits

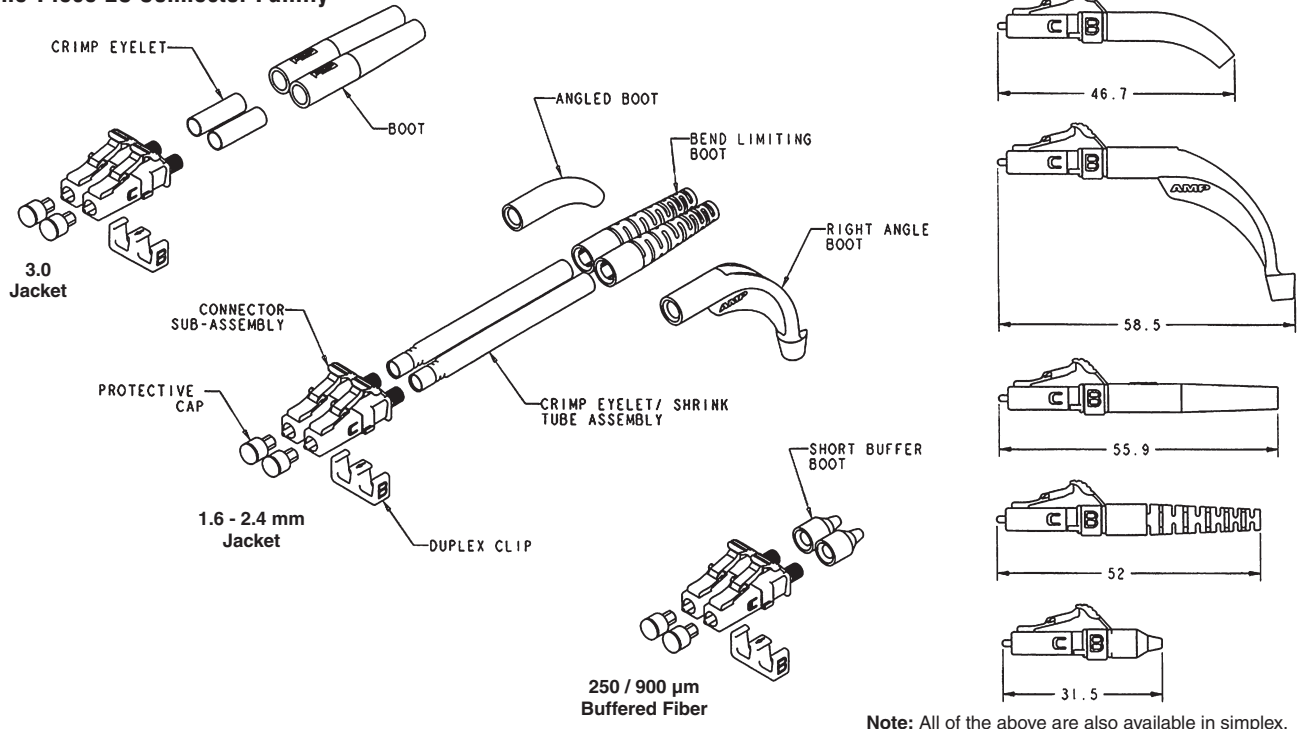
Description	Fiber Type	Housing Color	Boot Color	Used with	Individual Pack Part Number	Bulk Pack Part Number
Simplex	Singlemode	Blue	Blue	900 µm Buffered	1918384-1	1918384-2
				1.6-2.0 mm Jacketed	1918266-1	1918266-2
				3.0 mm Jacketed	1918374-1	1918374-2
	Multimode	Beige	Aqua	900 µm Buffered	1918385-3	1918385-5
				1.6-2.0 mm Jacketed	1918267-3	1918267-5
				3.0 mm Jacketed	1918375-3	1918375-5
Duplex	Singlemode	Blue	Blue	900 µm Buffered	1918385-4	1918385-6
				1.6-2.0 mm Jacketed	1918267-4	1918267-6
				3.0 mm Jacketed	1918375-4	1918375-6
	Multimode	Beige	Beige	900 µm Buffered	1918385-1	1918385-2
				1.6-2.0 mm Jacketed	1918267-1	1918267-2
				3.0 mm Jacketed	1918375-1	1918375-2
Duplex	Singlemode	Blue	Blue	900 µm Buffered	1918387-1	1918387-2
				1.6-2.0 mm Jacketed	1918372-1	1918372-2
				3.0 mm Jacketed	1918376-1	1918376-2
	Multimode	Beige	Aqua	900 µm Buffered	1918388-3	1918388-5
				1.6-2.0 mm Jacketed	1918373-3	1918373-5
				3.0 mm Jacketed	1918377-3	1918377-5
Multimode	Beige	Black	900 µm Buffered	1918388-4	1918388-6	
			1.6-2.0 mm Jacketed	1918373-4	1918373-6	
			3.0 mm Jacketed	1918377-4	1918377-6	
Duplex Clip	For use with Simplex Kits	Black	—	—	1754371-1	—

Note: All part numbers are RoHS compliant.



LC Optical Connectors (Continued)

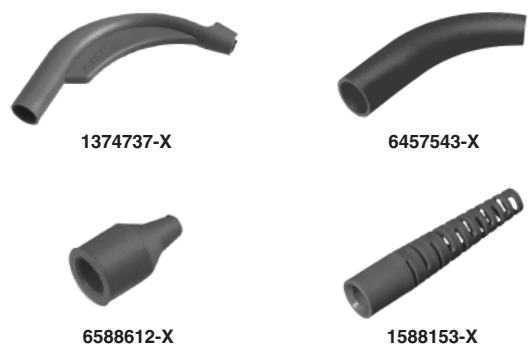
One-Piece LC Connector Family



Note: All of the above are also available in simplex.

LC Connector Component Selection Chart (bulk packaged)

Fiber Type	Simplex Connector Assembly & Dust Cap	Duplex Clip	Cable Size	Crimp Eyelet with Heat Shrink	Crimp Eyelet	Strain Relief Description	Strain Relief Part Number (see chart below)
Singlemode (blue hsg.)	1828456-1	1754371-1	1.6-2.0 mm	6374150-1	—	Straight/Bend Limiting	1588153-X
			1.6-2.0 mm	6374150-1	—	Angled	1374737-X
			1.6-2.0 mm	6374150-1	—	50 Degree Angle	6457543-X
			2.4 mm	6588189-1	—	Straight/Bend Limiting	1588153-X
			2.4 mm	6588189-1	—	Angled	1374737-X
			2.4 mm	6588189-1	—	50 Degree Angle	6457543-X
			3.0 mm	—	5504118-3	Straight	502716-X
			900 μm	—	—	900 μm Buffer, 10 mm	6588612-X
			1.6-2.0 mm	6374150-1	—	Straight/Bend Limiting	1588153-X
			1.6-2.0 mm	6374150-1	—	Angled	1374737-X
Multimode (beige hsg.)	1754625-1	1754371-1	1.6-2.0 mm	6374150-1	—	50 Degree Angle	6457543-X
			2.4 mm	6588189-1	—	Straight/Bend Limiting	1588153-X
			2.4 mm	6588189-1	—	Angled	1374737-X
			2.4 mm	6588189-1	—	50 Degree Angle	6457543-X
			3.0 mm	—	5504118-3	Straight	502716-X
			900 μm	—	—	900 μm Buffer, 10 mm	6588612-X



Crimp Tool Dieset only - 1588175-1
Crimp Tool with Dieset - 1588176-1
Instruction Sheet: 408-8675
<http://www.tycoelectronics.com/documents>

Termination Kit - 1754462-1
Upgrade Kit for Anaerobic terminations - 1754603-1

Strain Relief Color

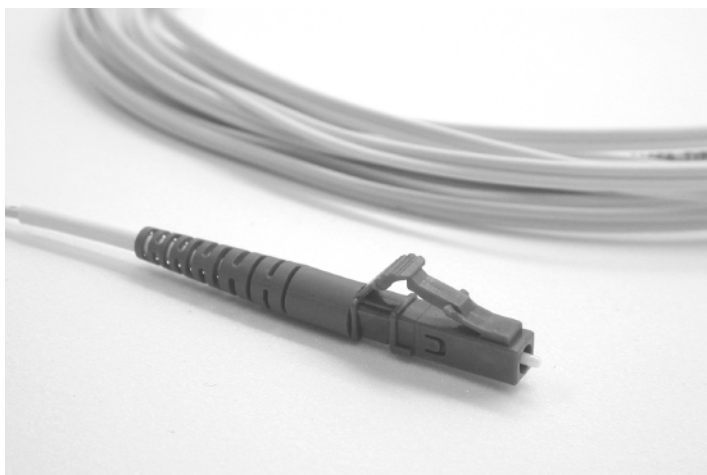
Base Part Number	Beige	Blue	Black	Red	Aqua
1588153	-5	-2	-3	—	-8
1374737	-2	-1	-3	—	—
6457543	-1	-2	-4	—	—
502716	-3	-4	-1	-5	-11
6588612	-1	-2	-5	-4	-8

Note: All part numbers are RoHS compliant.

LC Optical Cable Assemblies

Product Facts

- For high performance applications/high density
- 125 μm Ceramic Ferrule Technology
- Small size — 1/2 size of standard SC and FC products
- Singlemode and multimode
- Tuned singlemode assemblies
- High performance small size cable
 - 900 μm buffered fiber assemblies
 - 2.0 mm cable assemblies
- Hybrid assemblies available with all standard connectors
- Hybrid SC's and FC's terminated to 2.0 mm cable and 900 μm buffered fiber
- Factory terminated/factory tested



LC Cable Assembly

Performance Characteristics

Insertion Loss —

Singlemode — .25 dB max.; < .1 dB typ.

Multimode — .1 dB typ.;

.1 dB typ. σ

Return Loss —

Singlemode — 55 dB; PC endface

Multimode — 20 dB

Description	Cable Type	Part Numbers/Lengths (m)					
		1	2	3	4	5	10
Simplex							
Singlemode	2.0 mm Jacketed Riser	6374110-1	6374110-2	6374110-3	6374110-4	6374110-5	1-6374110-0
Duplex							
50/125 μm Multimode	2.0 mm Jacketed Riser	6374658-1	6374658-2	6374658-3	6374658-4	6374658-5	1-6374658-2
Laser Optimized (10 Gig) (850 nm) 50/125 μm Multimode	2.0 mm Aqua Jacketed Riser	6828317-1	6828317-2	6828317-3	6828317-4	6828317-5	1-6828317-0
62.5/125 μm Multimode	2.0 mm Jacketed Riser	6374659-1	6374659-2	6374659-3	—	6374659-5	1-6374659-0

Note: All part numbers are RoHS compliant.

X-ON Electronics

Largest Supplier of Electrical and Electronic Components

Click to view similar products for [Fiber Optic Cable Assemblies](#) category:

Click to view products by [TE Connectivity](#) manufacturer:

Other Similar products are found below :

[7-21002-9](#) [760-1518](#) [FA04390-50-M-72-LC-N](#) [MLB 501 V RED](#) [MLB 501 V YELLOW](#) [8-21000-7](#) [FXE3-10BM15](#) [FXE3-10FM5](#) [FZB3-NM1](#) [1-3636-600-5208](#) [ICD040GVP163D-07](#) [2901797](#) [1-6693182-0](#) [1754898-1](#) [F512D5-5F23Y](#) [F912B10-NM2](#) [FAP12WFDBDBDLCZ](#) [21055-6](#) [FXBSCSCE2LM002](#) [FXE3-10AM10](#) [FXE3-10AM20](#) [FXE3-10BM7](#) [FXE3-10FM15](#) [FXE3-10FM3](#) [FXE3-10FM4](#) [FXE3-10FM7](#) [FXE3-10GM3](#) [FZE10-10M6](#) [FZOPE10-10M5](#) [3000005](#) [3-21053-2](#) [MLB 200/1 V BLACK](#) [MLB 2001 V YELLOW](#) [MLB 501 V BLACK](#) [5492011-6](#) [106284-7000](#) [5492011-5](#) [5492011-8](#) [5492011-9](#) [CF-901201-007](#) [7-21000-4](#) [8-21007-5](#) [8-21084-0](#) [3-5106081-0](#) [106386-4447](#) [2-2064140-6](#) [F92ELLNSNSNM003](#) [2-2064140-3](#) [6-2064140-3](#) [2-2064140-2](#)