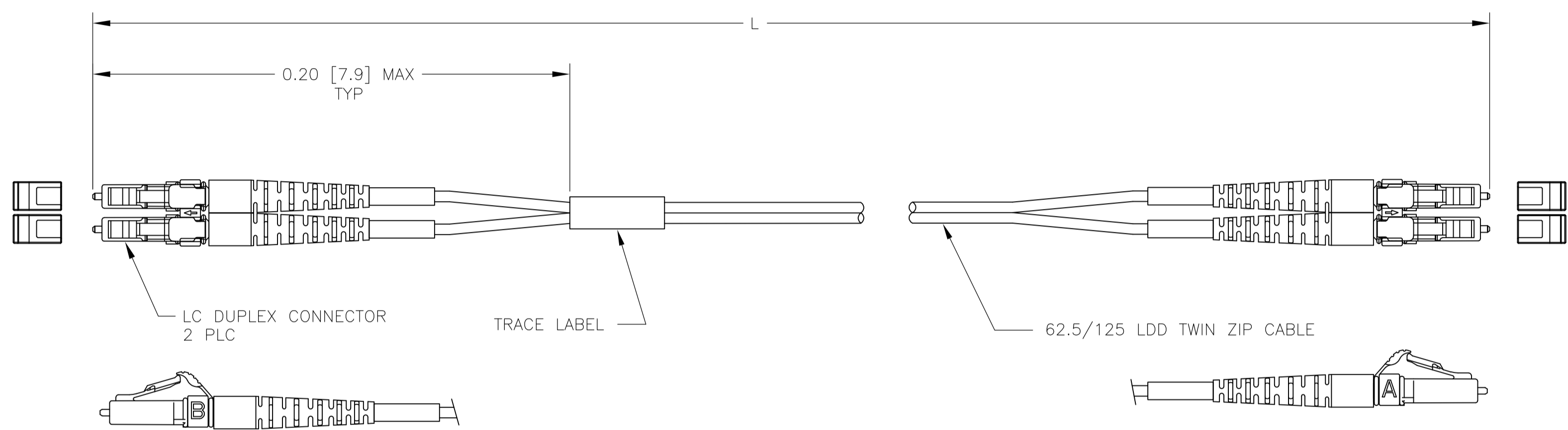


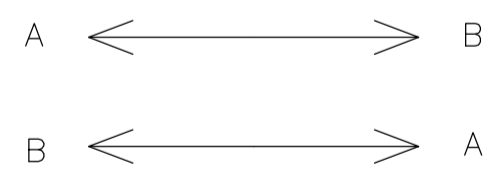
THIS DRAWING IS UNPUBLISHED. RELEASED FOR PUBLICATION
 © COPYRIGHT - By - ALL RIGHTS RESERVED.

LOC	DIST	REVISIONS			
P	LTR	DESCRIPTION	DATE	DWN	APVD
CE	16	E	ECR-14-019320	02MAR2015	BB JO

1. MAXIMUM INSERTION LOSS IS 0.2 dB PLUS CABLE ATTENUATION OF 1.5 dB/km AT 1300nm. (SEE TABLE)
2. DIMENSIONS IN [] ARE IN INCHES.
3. PRODUCT AND PROCESSING MUST MEET REQUIREMENTS OF TEC-138-702



0.20	3.50±0.05	[137.8±2.0]	9-6374659-3
0.28	50.00±0.50	[1968.50±19.68]	5-6374659-0
0.65	300.00±3.00	[11811.0±118.0]	9-6374659-9
0.35	100.00±1.00	[3937.0±39.0]	9-6374659-8
0.20	0.50±0.03	[19.68±1.18]	9-6374659-7
0.25	36.00±0.36	[1417.3±14.2]	9-6374659-2
0.24	27.00±0.30	[1063.0±12.0]	9-6374659-1
0.25	30.00±0.30	[1181.1±12.0]	3-6374659-0
0.24	25.00±0.30	[984.0±12.0]	2-6374659-5
0.23	20.00±0.30	[787.0±12.0]	2-6374659-0
0.22	15.00±0.15	[590.6±6.0]	1-6374659-5
0.22	12.00±0.15	[472.4±6.0]	1-6374659-2
0.21	10.00±0.15	[393.7±6.0]	1-6374659-0
0.21	8.00±0.15	[315.0±6.0]	6374659-8
0.31	76.2±0.76	[3000.0±30.0]	6374659-7
0.20	1.50±0.05	[59.5±2.0]	6374659-6
0.20	5.00±0.08	[196.9±3.0]	6374659-5
0.20	3.00±0.05	[118.1±2.0]	6374659-3
0.20	2.00±0.05	[78.7±2.0]	6374659-2
0.20	1.00±0.05	[39.4±2.0]	6374659-1
1 MAX IL (dB)	L		PART NUMBER



THIS DRAWING IS A CONTROLLED DOCUMENT.

DWN	C.S.VASU	22AUG05	 TE Connectivity
CHK	J.DUNCAN	22AUG05	
APVD	J.DUNCAN	22AUG05	
DIMENSIONS: METERS [INCHES]			NAME
TOLERANCES UNLESS OTHERWISE SPECIFIED:			PRODUCT SPEC
0 PLC	± -		APPLICATION SPEC
1 PLC	± -		
2 PLC	± -		
3 PLC	± -		
4 PLC	± -		
ANGLES	± -		
MATERIAL			WEIGHT
			FINISH
CUSTOMER DRAWING			SCALE
N/A			SHEET
N/A			1 of 1
N/A			REV
N/A			E

X-ON Electronics

Largest Supplier of Electrical and Electronic Components

Click to view similar products for [Fiber Optic Cable Assemblies](#) category:

Click to view products by [TE Connectivity](#) manufacturer:

Other Similar products are found below :

[7-21002-9](#) [760-1518](#) [FA04390-50-M-72-LC-N](#) [MLB 501 V RED](#) [MLB 501 V YELLOW](#) [8-21000-7](#) [FXE3-10BM15](#) [FXE3-10FM5](#) [FZB3-NM1](#) [1-3636-600-5208](#) [ICD040GVP163D-07](#) [2901797](#) [1-6693182-0](#) [1754898-1](#) [F512D5-5F23Y](#) [F912B10-NM2](#) [FAP12WFDBDBDLCZ](#) [21055-6](#) [FXBSCSCE2LM002](#) [FXE3-10AM10](#) [FXE3-10AM20](#) [FXE3-10BM7](#) [FXE3-10FM15](#) [FXE3-10FM3](#) [FXE3-10FM4](#) [FXE3-10FM7](#) [FXE3-10GM3](#) [FZE10-10M6](#) [FZOPE10-10M5](#) [3000005](#) [3-21053-2](#) [MLB 200/1 V BLACK](#) [MLB 2001 V YELLOW](#) [MLB 501 V BLACK](#) [5492011-6](#) [106284-7000](#) [5492011-5](#) [5492011-8](#) [5492011-9](#) [CF-901201-007](#) [7-21000-4](#) [8-21007-5](#) [8-21084-0](#) [3-5106081-0](#) [106386-4447](#) [2-2064140-6](#) [F92ELLNSNSNM003](#) [2-2064140-3](#) [6-2064140-3](#) [2-2064140-2](#)