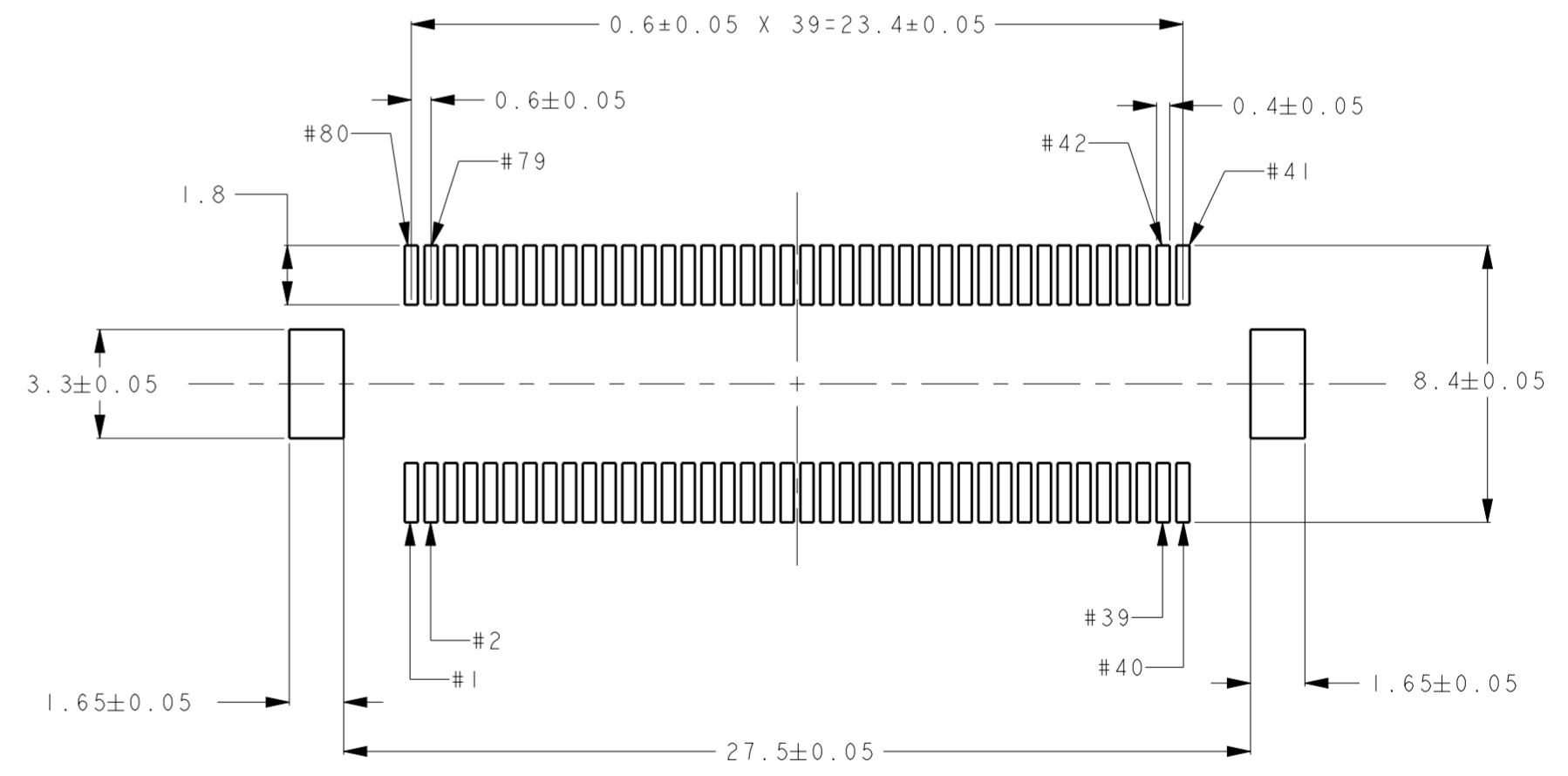
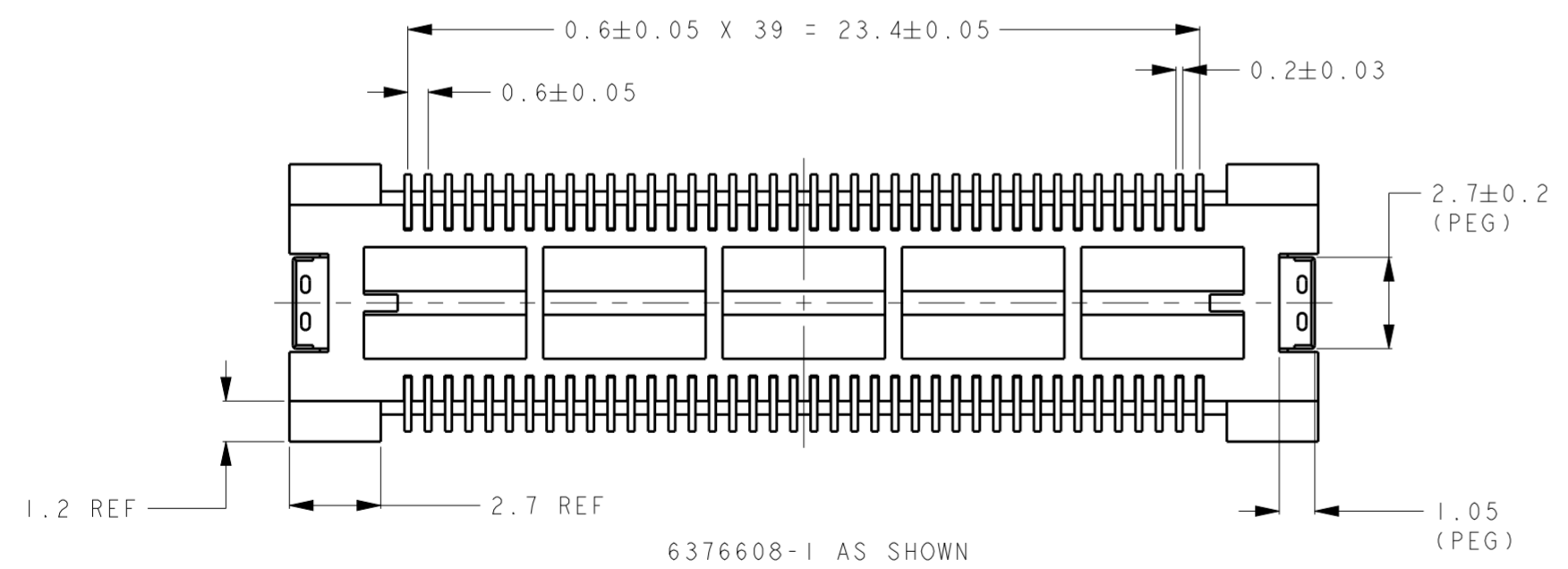
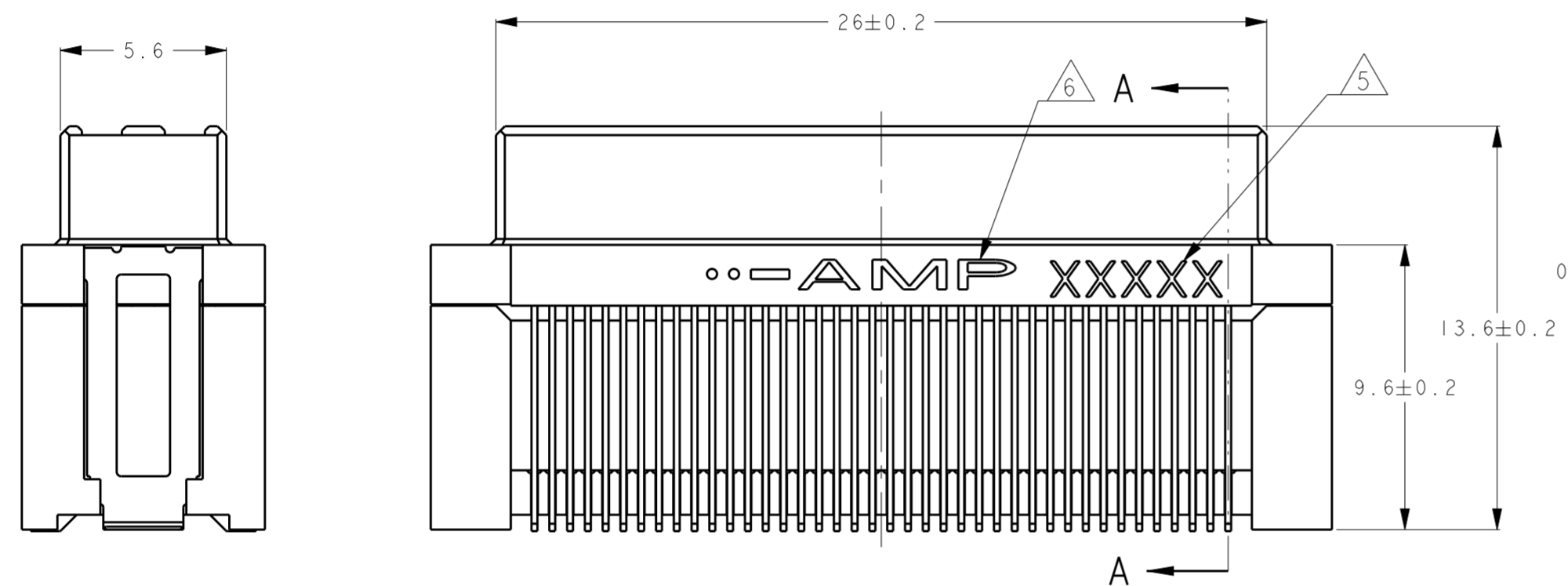
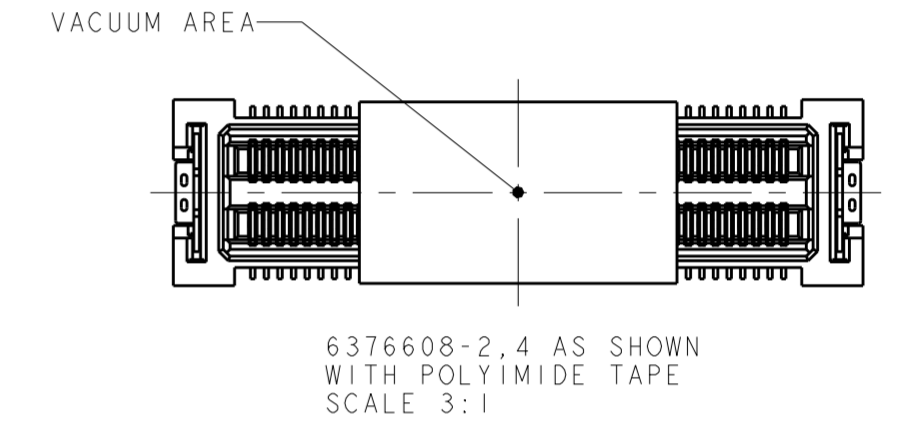
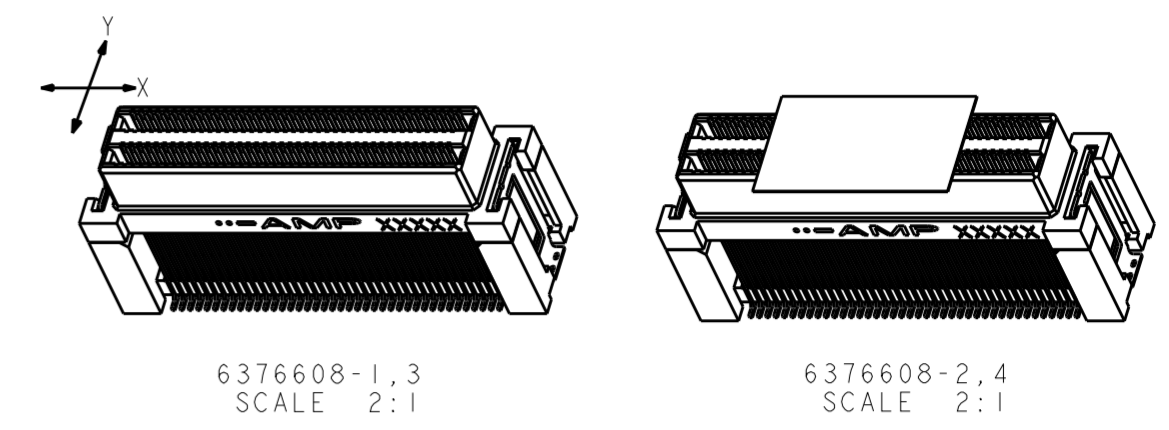
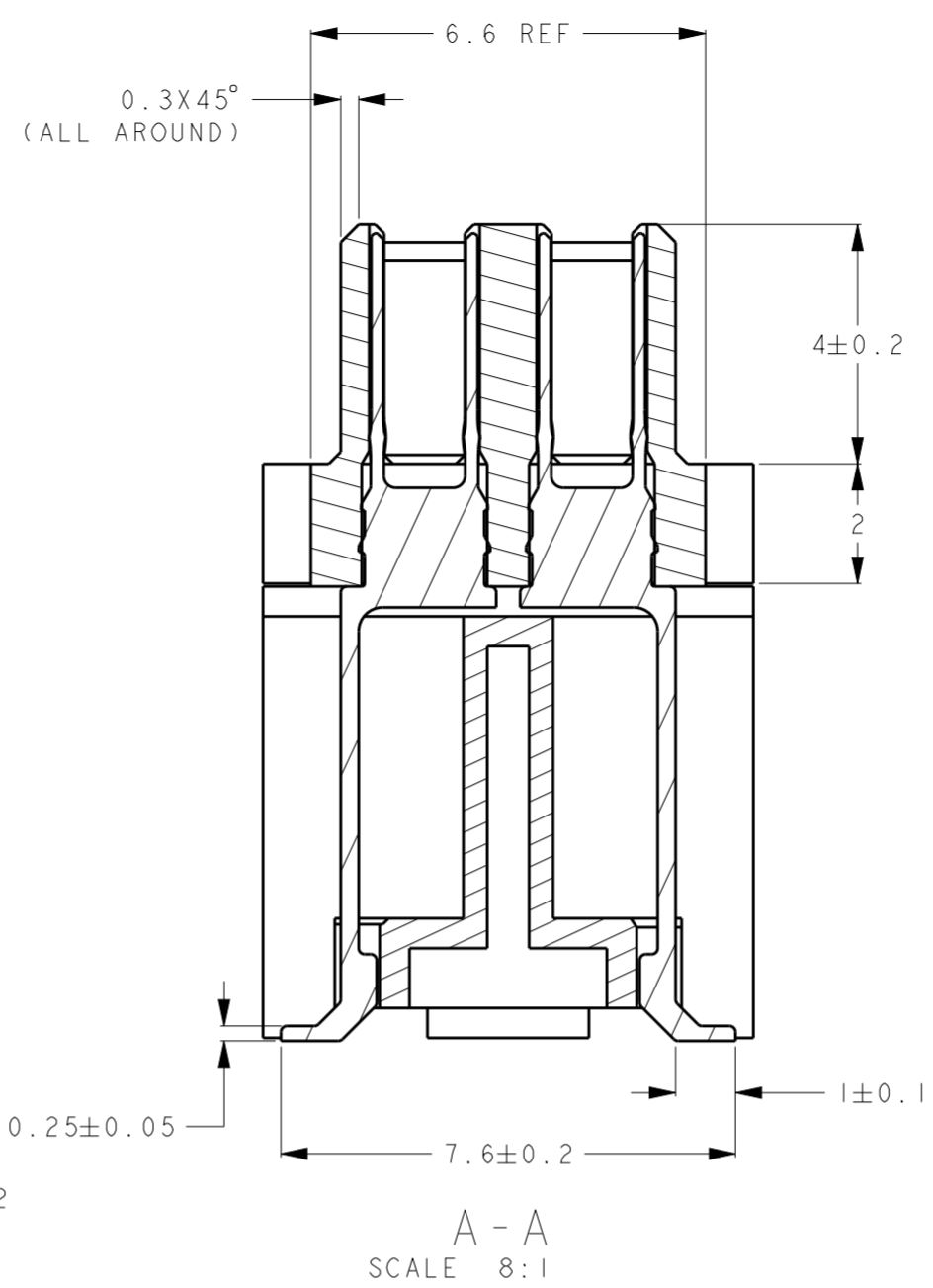
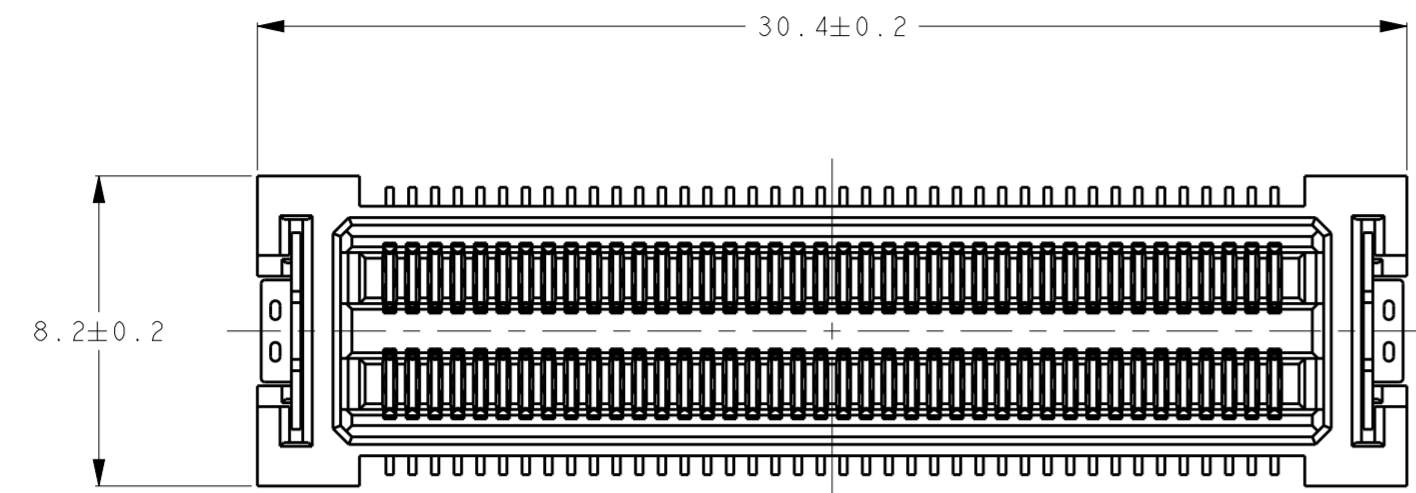


THIS DRAWING IS UNPUBLISHED. RELEASED FOR PUBLICATION 20
 © COPYRIGHT 20 BY - ALL RIGHTS RESERVED.

REVISIONS					
P	LTR	DESCRIPTION	DATE	DWN	APVD
G		REVISED PER ECR-17-013826	20SEP2017	T.S	E.T
G1		ADD P/N 6376608-4	06MAR2018	A.W	R.B
G2		ADD P/N 6376608-3	18/OCT2018	A.W	R.B



- 1 MATERIAL : HOUSING; LCP
; CONTACT; COPPER ALLOY
- 2 FINISH : UNDER Ni PL. 0.8μmMIN
CONTACT AREA: Au PL. 0.3μmMIN
SOLDERING AREA: Au FLASH
- 3. COPLANARITY 0.1MAX.
- 4. SHOULD BE PUT 45 CONNECTORS IN HARD TRAY. (SEE SHEET 2)
- 5 DATE CODE IS MARKED TO CHINA PRODUCTION PRODUCT.
THE FACE SIDE AND BACK SIDE IS NOT ASKED.
- 6 **AMP** : MADE IN JAPAN
AMP : MADE IN CHINA
- 7 FLOATING AMOUNT X, Y DIRECTION ±0.3mm MAX.
- 8 CONNECTORS AND TRAY SHALL BE COVERED BY PLASTIC BAG
WITH ENCLOSED DESICCANT

6376608-1 AS SHOWN

RECOMMENDED PCB LAYOUT

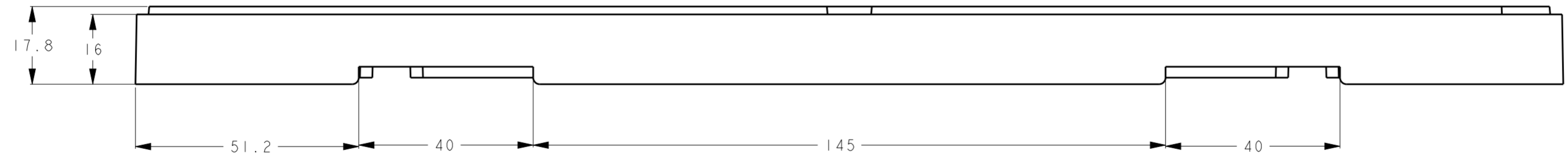
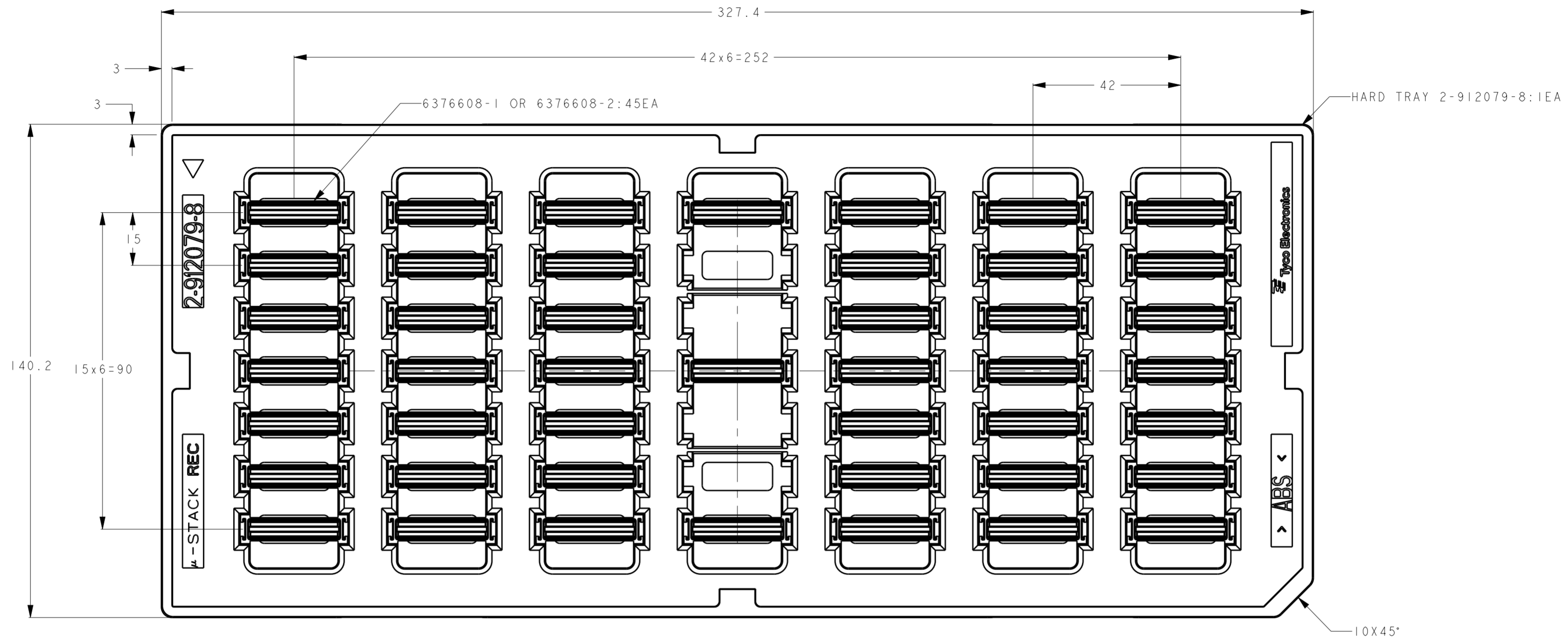
DESCRIPTION	PACKAGE	PART NO
WITH POLYIMIDE TAPE	TAPE REEL	-- 6376608-4
	HARD TRY	-- 6376608-2
W/O POLYIMIDE TAPE	HARD TRAY	8 6376608-3
	HARD TRAY	-- 6376608-1

THIS DRAWING IS A CONTROLLED DOCUMENT.		DWN K. Sakai 23JAN2006	TE Connectivity
DIMENSIONS: mm		CHK E. Takemasa 23JAN2006	
TOLERANCES UNLESS OTHERWISE SPECIFIED:		APVD M. Kimura 23JAN2006	
0 PLC ±0.3 1 PLC ±0.25 2 PLC ±0.2 3 PLC ± 4 PLC ± ANGLES ±3° FINISH		NAME REC ASSEMBLY MICRO-STACK CONNECTOR 0.6mm PITCH 80P	
MATERIAL 1 SEE NOTE	FINISH 2 SEE NOTE	PRODUCT SPEC 108-5724	SIZE A200779
CUSTOMER DRAWING		APPLICATION SPEC -	DRAWING NO C-6376608
		WEIGHT 3.0g	RESTRICTED TO
		SCALE 5:1	SHEET 1 OF 3
			REV G2

THIS DRAWING IS UNPUBLISHED. RELEASED FOR PUBLICATION 20
 © COPYRIGHT 20 BY - ALL RIGHTS RESERVED.

REVISIONS				
P	LTR	DESCRIPTION	DATE	APVD
-		SEE SHEET 1	-	-

- 1:AS SHOWN



HARD TRAY PACKING SPEC

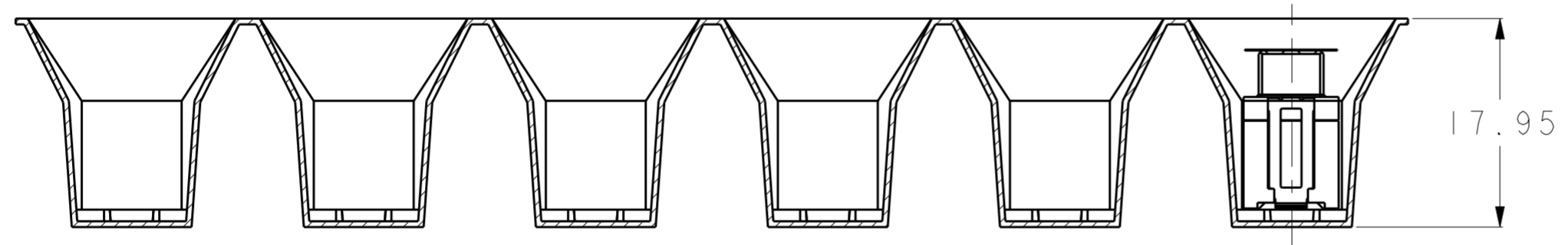
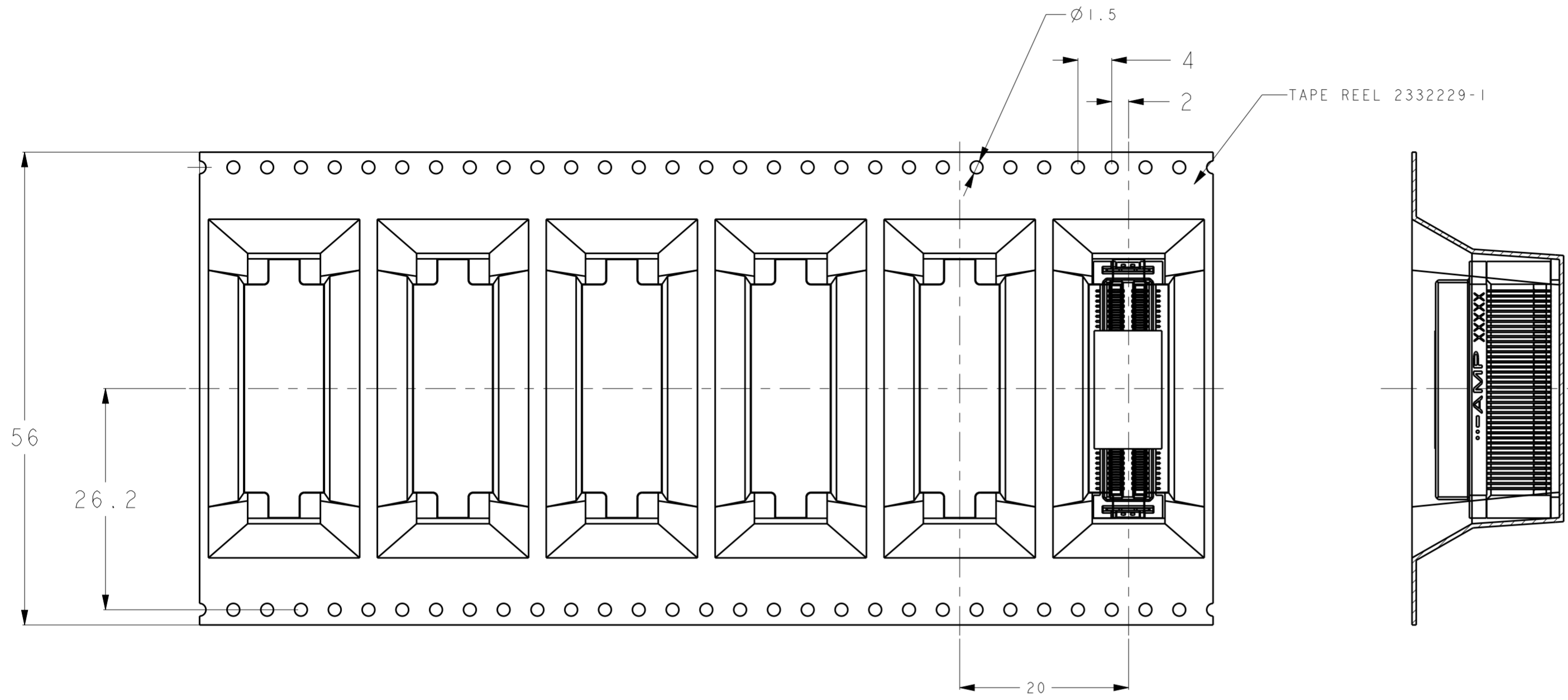
45	BLACK
CONN QTY	HARD TRAY COLOR

THIS DRAWING IS A CONTROLLED DOCUMENT.		DWN K. Sakai 23 JAN 2006	TE Connectivity
DIMENSIONS: mm		CHK E. Takemasa 23 JAN 2006	
TOLERANCES UNLESS OTHERWISE SPECIFIED: 0-PLC ± 1 1-PLC ± 0.3 2-PLC ± 0.25 3-PLC ± 0.2 4-PLC ± 0.1 ANGLES ± 3° FINISH -		APVD M. Kimura 23 JAN 2006	
MATERIAL		PRODUCT SPEC 108-5724 APPLICATION SPEC -	
		WEIGHT 3.0g	NAME REC ASSEMBLY MICRO-STACK CONNECTOR 0.6mm PITCH 80P
		CUSTOMER DRAWING	SIZE A20779
		SCALE 1:1	DRAWING NO C-6376608
		SHEET 2 OF 3	RESTRICTED TO G2

THIS DRAWING IS UNPUBLISHED. RELEASED FOR PUBLICATION 20
 © COPYRIGHT 20 BY - ALL RIGHTS RESERVED.

REVISIONS				
P	LTR	DESCRIPTION	DATE	APVD
-		SEE SHEET 1	-	-

- 4: AS SHOWN



TAPE REEL PACKING SPEC.

160/R	WHITE
CONN QTY	TAPE REEL COLOR

THIS DRAWING IS A CONTROLLED DOCUMENT.		DWN K. Sakai 23JAN2006	 TE Connectivity
DIMENSIONS: mm		CHK E. Takemasa 23JAN2006	
		APVD M. Kimura 23JAN2006	
TOLERANCES UNLESS OTHERWISE SPECIFIED: 0-PLC ±1 1-PLC ±0.3 2-PLC ±0.25 3-PLC ±0.2 4-PLC ± ANGLES ±3° FINISH -		PRODUCT SPEC 108-5724 APPLICATION SPEC - WEIGHT 3.0g CUSTOMER DRAWING	
		NAME REC ASSEMBLY MICRO-STACK CONNECTOR 0.6mm PITCH 80P	RESTRICTED TO
		SIZE A2	CAGE CODE 0779
		DRAWING NO. C-6376608	SCALE 1:1
		SHEET 3 OF 3	REV G2

X-ON Electronics

Largest Supplier of Electrical and Electronic Components

Click to view similar products for [Board to Board & Mezzanine Connectors](#) category:

Click to view products by [TE Connectivity](#) manufacturer:

Other Similar products are found below :

[589158040000018](#) [MDF7C-18P-2.54DSA\(55\)](#) [FCN-230C068-11](#) [FCN-268F012-G/BD](#) [FCN-268F036-G/BD](#) [FCN-268M012-G/0D](#) [FCN-268M024-G/1D](#) [FCN-723J004/1](#) [MIS-048-01-F-D-DP-K](#) [832-10-034-10-001000](#) [FX4C-80S-1.27DSA](#) [FCN-214Q030-G/0](#) [FCN-234P048-G/0](#) [FCN-235D050-G/C](#) [210-93-314-41-105000](#) [2-22603-0](#) [MDF7-40DP-2.54DSA\(55\)](#) [AXG720047](#) [5031084030](#) [MIT-114-03-F-D-K](#) [55323-1519](#) [DF33-2P-3.3DSA\(24\)](#) [YFT-20-05-H-03-SB-K](#) [503308-3040](#) [026-6203-PDB](#) [027-6203-PDB](#) [069159702701000](#) [10123981-102LF](#) [101A10019X](#) [55650-0588-C](#) [68682-310LF](#) [68684-306](#) [75140-7012](#) [87471-650](#) [194261-1](#) [FCN-268F024-G0D](#) [10124054-515LF](#) [68685-603](#) [8-1616154-3](#) [MIS-019-01-F-D](#) [FCN-268M024-G/3D](#) [20021832-06016C1LF](#) [KX15-20KLDL-E1000E](#) [MDF7-16DP-2.54DSA\(55\)](#) [AXE810124](#) [FCN-214J100-G/0](#) [FCN-230C068-E/S](#) [AXE812124](#) [AXE816124](#) [AXE720127](#)