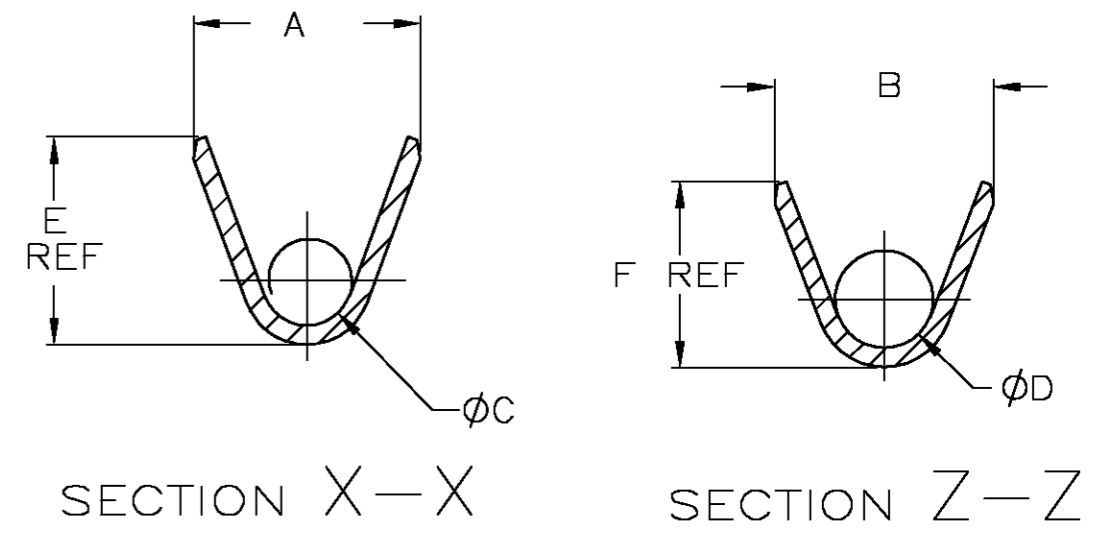
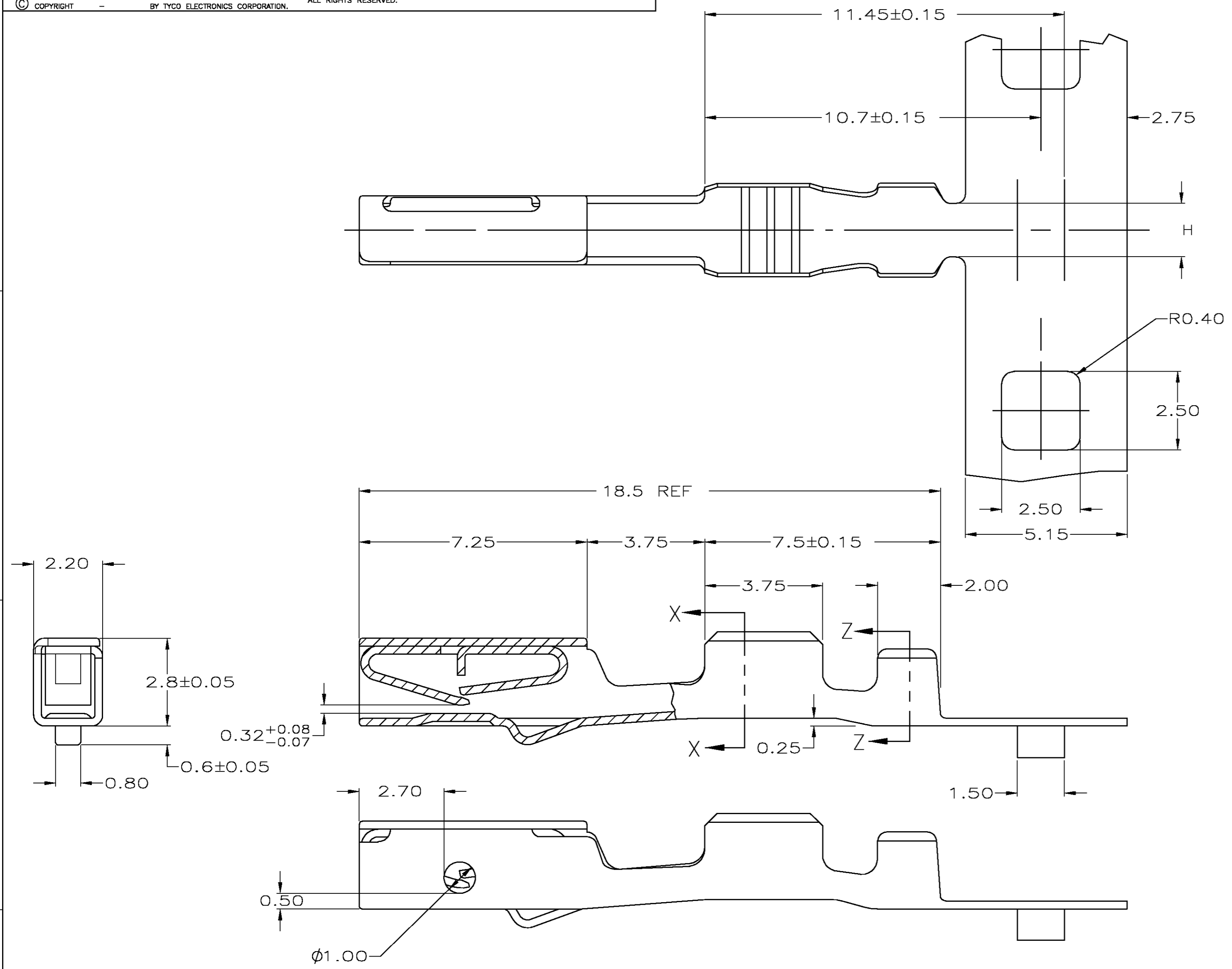


THIS DRAWING IS UNPUBLISHED. RELEASED FOR PUBLICATION  
 © COPYRIGHT BY TYCO ELECTRONICS CORPORATION. ALL RIGHTS RESERVED.

LOC	DIST	REVISIONS			
P	LTR	DESCRIPTION	DATE	DWN	APVD
FX	54	F	REVISED PER EC OK80-0038-04	11FEB2004	DLD CBP



1 MATERIAL: 0.25 THK COPPER ALLOY, PRE-PLATED WITH 0.00076 MIN THK BRIGHT TIN.

638009-2 REELED LEFT TO RIGHT, OFF TOP, CARRIER INSIDE									638009-6
638009-1 REELED LEFT TO RIGHT, OFF TOP, CARRIER INSIDE									638009-5
1.6	1.80	2.04	1.45	0.90	2.40	2.30	0.35	22	638009-2
1.6	1.80	2.04	1.45	0.90	2.40	2.30	0.34-0.36		
1.7	2.46	2.75	1.30	1.20	2.90	3.00	0.50	18-20	638009-1
1.7	2.46	2.75	1.30	1.20	2.90	3.00	0.75		
1.7	2.46	2.75	1.30	1.20	2.90	3.00	1.00		
1.7	2.46	2.75	1.30	1.20	2.90	3.00	--		
H	F	E	D	C	B	A	METRIC WIRE SIZE	AWG	PART NUMBER

THIS DRAWING IS A CONTROLLED DOCUMENT.

DWN	d. marpoe	6/10/94
CHK	H. BECK	12/4/95
APVD	H. BECK	12/4/95
PRODUCT SPEC	RECEPTACLE CONTACT, DUAL BEAM	
APPLICATION SPEC	114-6063	
WEIGHT	-	
MATERIAL	1	

TOLERANCES UNLESS OTHERWISE SPECIFIED:  
 0 PLC ± -  
 1 PLC ± 0.2  
 2 PLC ± 0.1  
 3 PLC ± -  
 4 PLC ± -  
 ANGLES ± 5°  
 FINISH -

tyco Electronics Tyco Electronics Corporation  
 Harrisburg, Pa 17105-3608

SIZE A2 CAGE CODE 00779 DRAWING NO C=638009 RESTRICTED TO -  
 SCALE 4:1 SHEET 1 OF 1 REV F

CUSTOMER DRAWING

THIS TYCO PROPRIETARY INFORMATION IS CONFIDENTIAL AND IS DISCLOSED TO YOU ON CONDITION THAT NO FURTHER DISCLOSURE IS MADE BY YOU TO ANYONE OTHER THAN TYCO PERSONNEL WITHOUT WRITTEN AUTHORIZATION FROM TYCO ELECTRONICS, HARRISBURG, PA.

## X-ON Electronics

Largest Supplier of Electrical and Electronic Components

*Click to view similar products for [Automotive Connectors](#) category:*

*Click to view products by [TE Connectivity](#) manufacturer:*

Other Similar products are found below :

[003-018-000](#) [60403001](#) [60993906-B](#) [M902-2131](#) [M902-2161](#) [72.330.1035.1](#) [73.353.4028.0](#) [F119300-B](#) [F166900](#) [F258300-B](#) [F358300-B](#)  
[F407400](#) [F444110](#) [F487000](#) [F509500B-B](#) [827153-1](#) [8N1515-32-24P](#) [9-1326729-8](#) [925474-1](#) [928905-1](#) [964562-4](#) [968782-1](#) [GT17SA-8DS-](#)  
[HU](#) [98891-1012](#) [98947-1016](#) [12004147](#) [12004475-L](#) [12010290](#) [12010309-B](#) [12015454](#) [12020219-B](#) [12020308](#) [12041318-B](#) [12052225-L](#)  
[12052466](#) [12059125](#) [12064869](#) [12004327-B](#) [12010503-B](#) [12015308](#) [12015384](#) [12015909](#) [1-21030-1](#) [12041254](#) [12041318](#) [12047946-B](#)  
[12047957](#) [12047957-L](#) [12059473](#) [12066261](#)