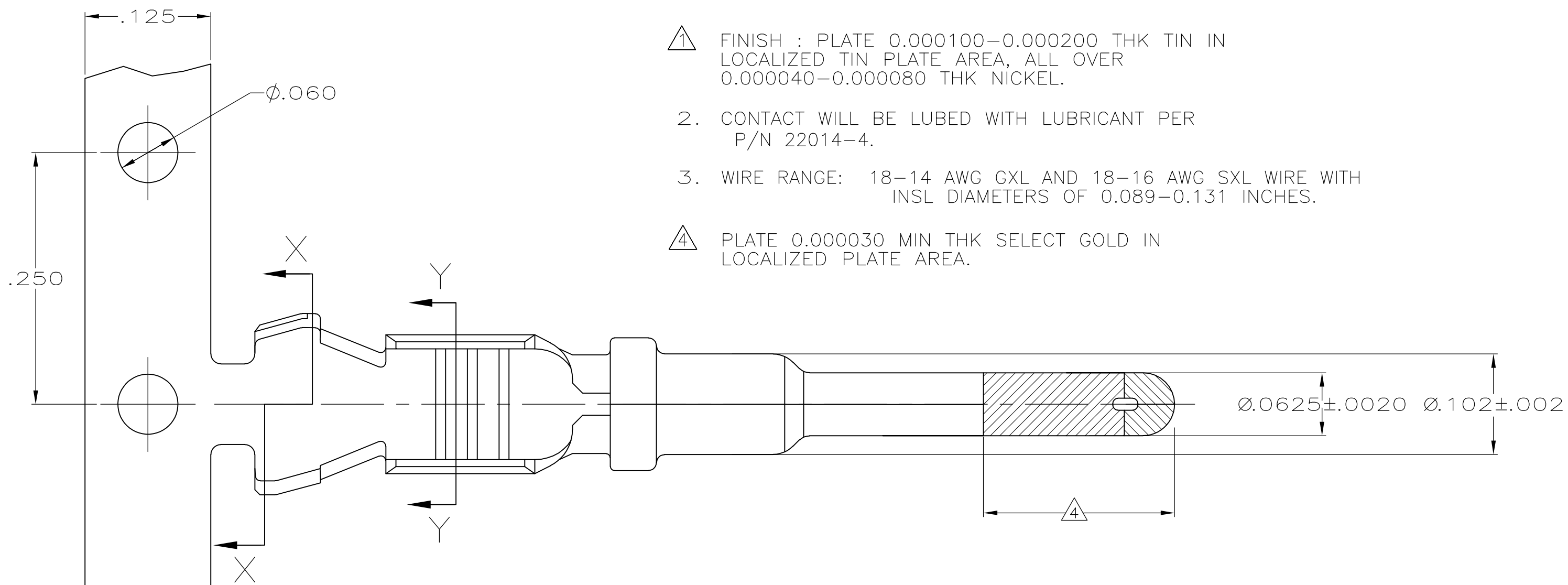
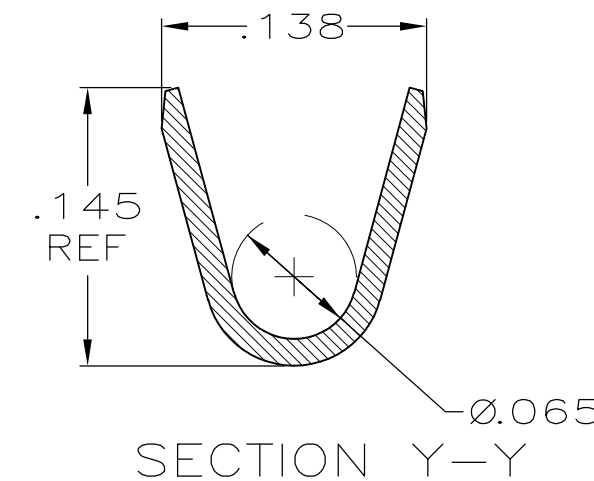
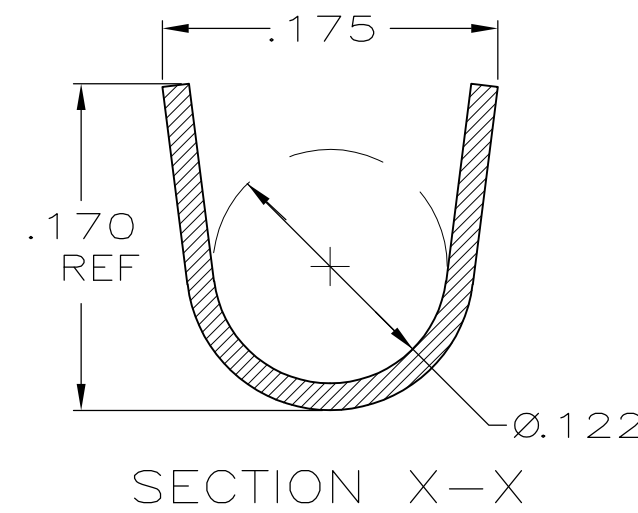
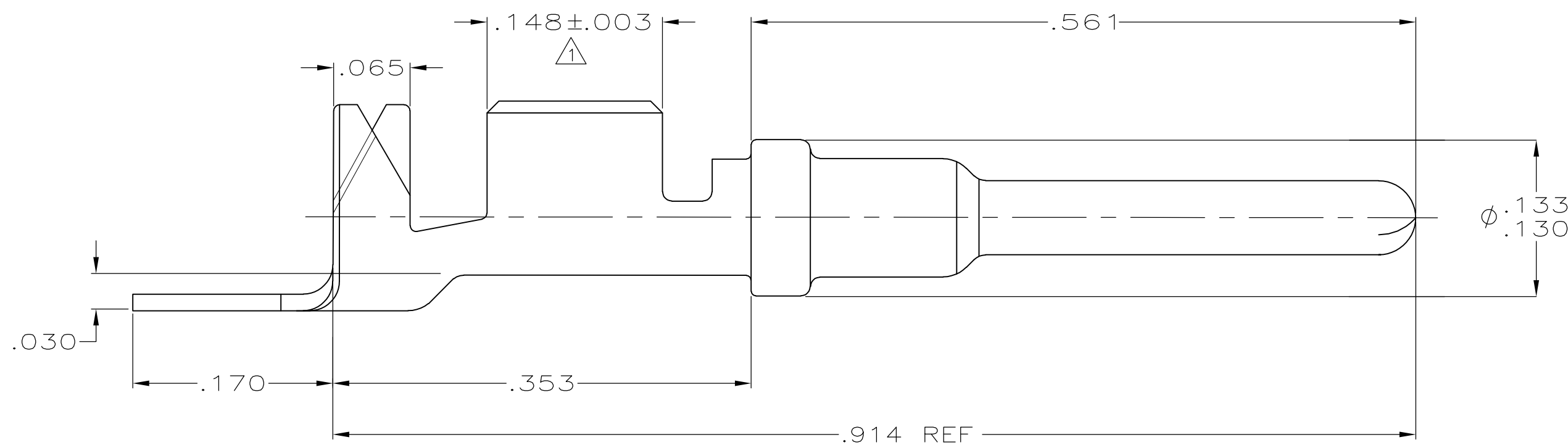


THIS DRAWING IS UNPUBLISHED. RELEASED FOR PUBLICATION
 © COPYRIGHT - By - ALL RIGHTS RESERVED.

LOC	DIST	REVISIONS					
GE	33	P	LTR	DESCRIPTION	DATE	DWN	APVD
		E2		REVISED PER ECO-11-005030	11MAR11	RK	HMR



- 1. FINISH : PLATE 0.000100-0.000200 THK TIN IN LOCALIZED TIN PLATE AREA, ALL OVER 0.000040-0.000080 THK NICKEL.
- 2. CONTACT WILL BE LUBED WITH LUBRICANT PER P/N 22014-4.
- 3. WIRE RANGE: 18-14 AWG GXL AND 18-16 AWG SXL WIRE WITH INSL DIAMETERS OF 0.089-0.131 INCHES.
- 4. PLATE 0.000030 MIN THK SELECT GOLD IN LOCALIZED PLATE AREA.



1	638078-3
1 4	638078-1

THIS DRAWING IS A CONTROLLED DOCUMENT.		DWN P. YEAGER 6-13-97	STE TE Connectivity	
DIMENSIONS: INCHES		CHK W LONG 6-13-97		
TOLERANCES UNLESS OTHERWISE SPECIFIED:		APVD W LONG 6-13-97	NAME PIN CONTACT	
0 PLC ± -		PRODUCT SPEC	-	
1 PLC ± -		APPLICATION SPEC	-	
2 PLC ± .02		WEIGHT -	SIZE A2	CAGE CODE 00779
3 PLC ± .005		CUSTOMER DRAWING	DRAWING NO C=638078	RESTRICTED TO -
4 PLC ± -			SCALE 10:1	SHEET 1 of 1
ANGLES ± -				
FINISH -				

X-ON Electronics

Largest Supplier of Electrical and Electronic Components

Click to view similar products for [Terminals](#) category:

Click to view products by [TE Connectivity](#) manufacturer:

Other Similar products are found below :

[00-054007-01074-6](#) [00-054007-70206-1](#) [00-054007-70210-8](#) [00-054007-70217-7](#) [00-054007-70226-9](#) [00-054007-70228-3](#) [00-054007-70248-1](#) [00-054007-70256-6](#) [00-054007-70301-3](#) [00-054007-70316-7](#) [0-0320562-0](#) [00-054007-49560-4](#) [00-054007-70209-2](#) [00-054007-70225-2](#) [00-054007-70227-6](#) [00-054007-70231-3](#) [00-054007-70241-2](#) [00-054007-70242-9](#) [00-054007-70244-3](#) [00-054007-70246-7](#) [00-054007-70263-4](#) [00-054007-70288-7](#) [00-054007-70290-0](#) [00-054007-70300-6](#) [00-054007-70304-4](#) [01-2065-1-0216](#) [01-2900-1-04412](#) [00581P0075](#) [600TS-10](#) [60205-1](#) [604200-1](#) [605601-1](#) [60598-1-CUT-TAPE](#) [61314-6-C](#) [61810-3](#) [61-S](#) [61-SN](#) [626-0194](#) [62-NBM-A](#) [62-SN](#) [62-SP](#) [63-S](#) [640179-1](#) [M55155/059I03](#) [M55155/079C01](#) [M55155/099H02](#) [M55155/109H01](#) [M55155/109H02](#) [M55155/12XH05](#) [M55155/16XH02](#)