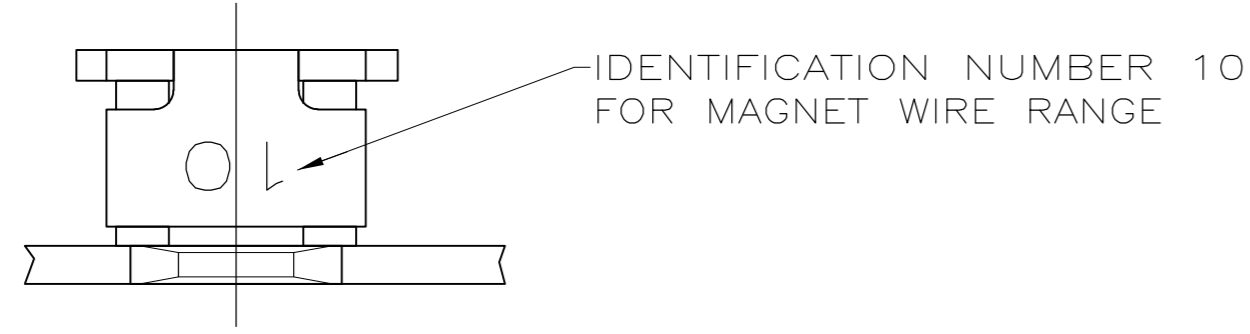
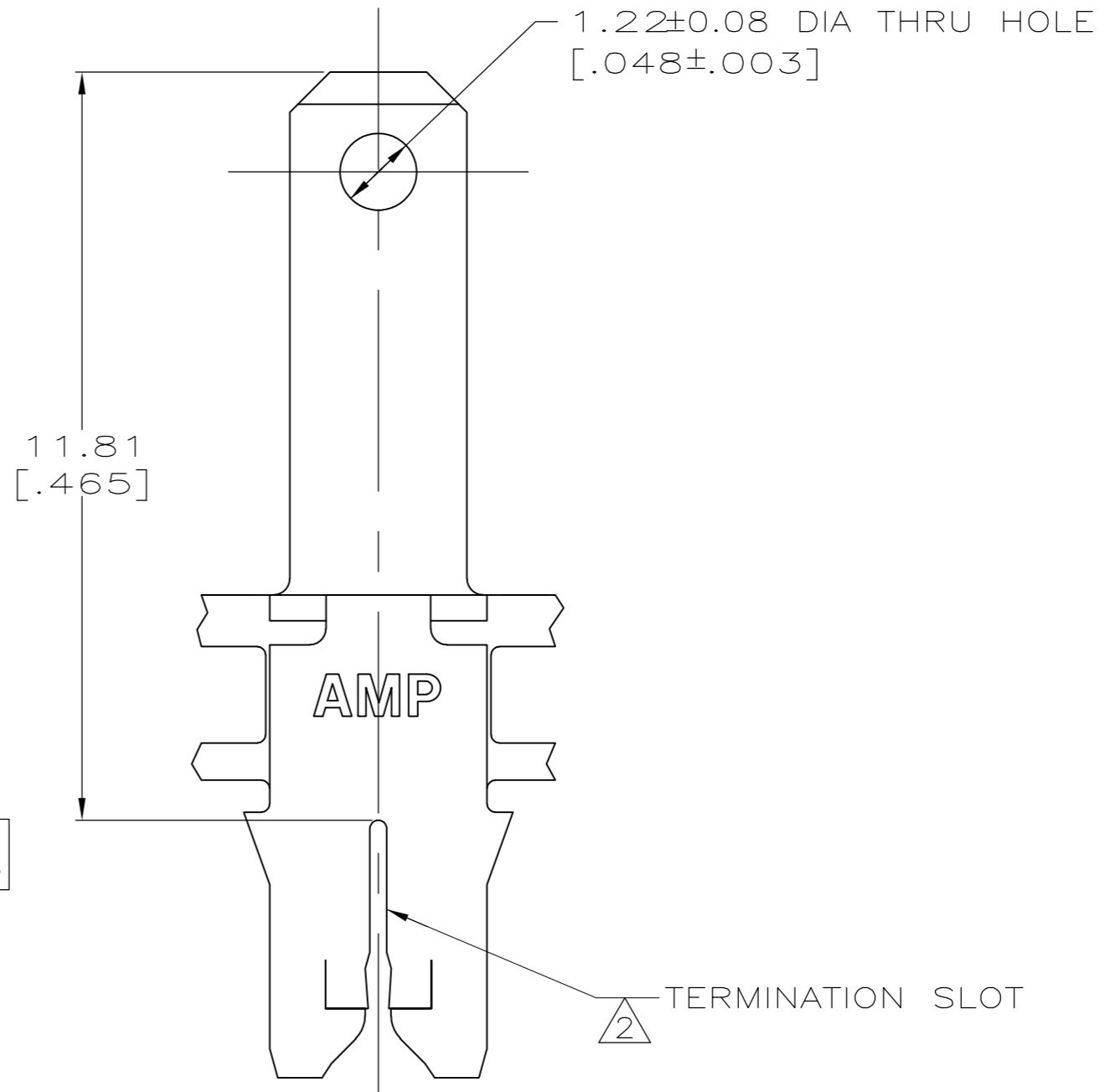
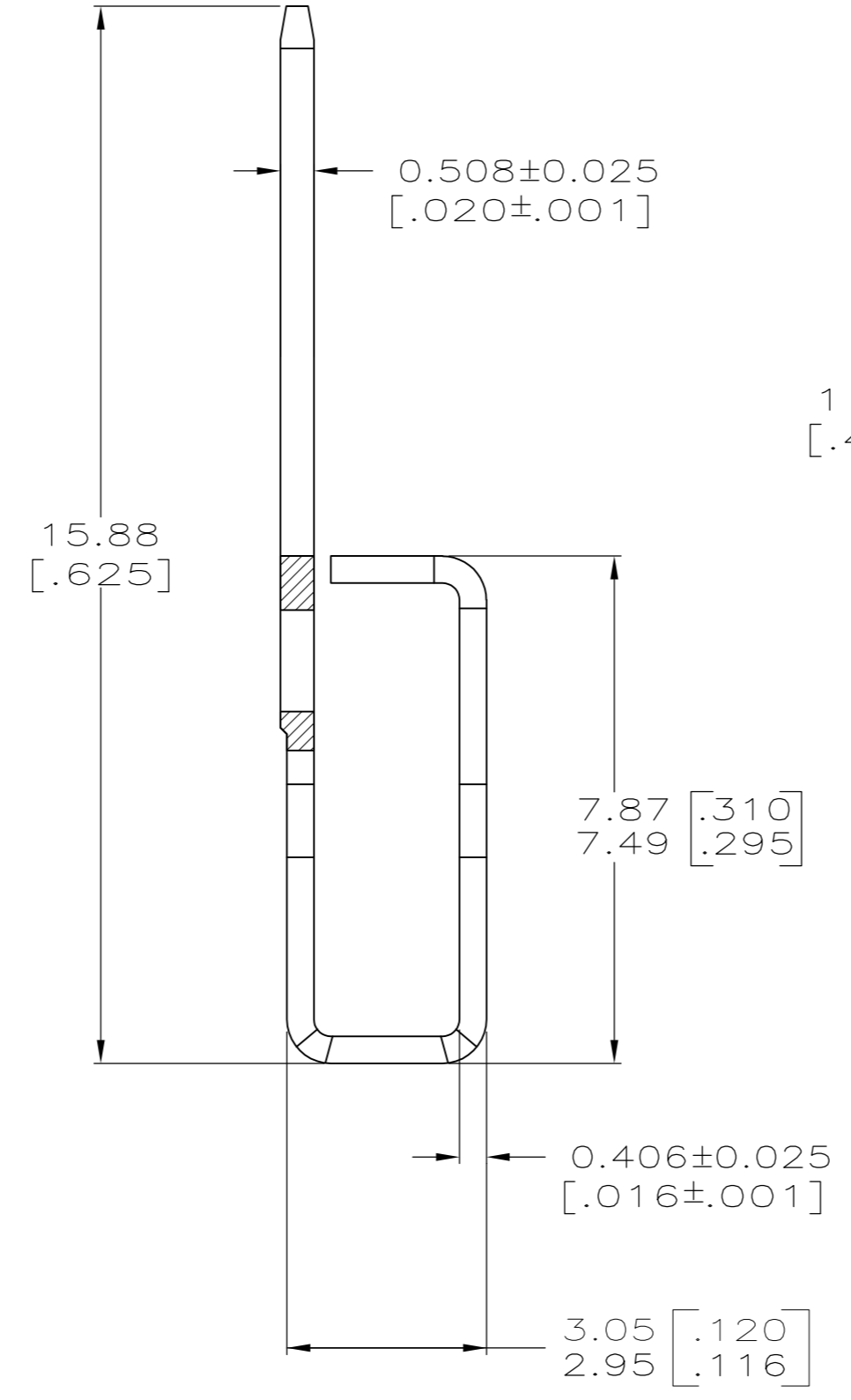
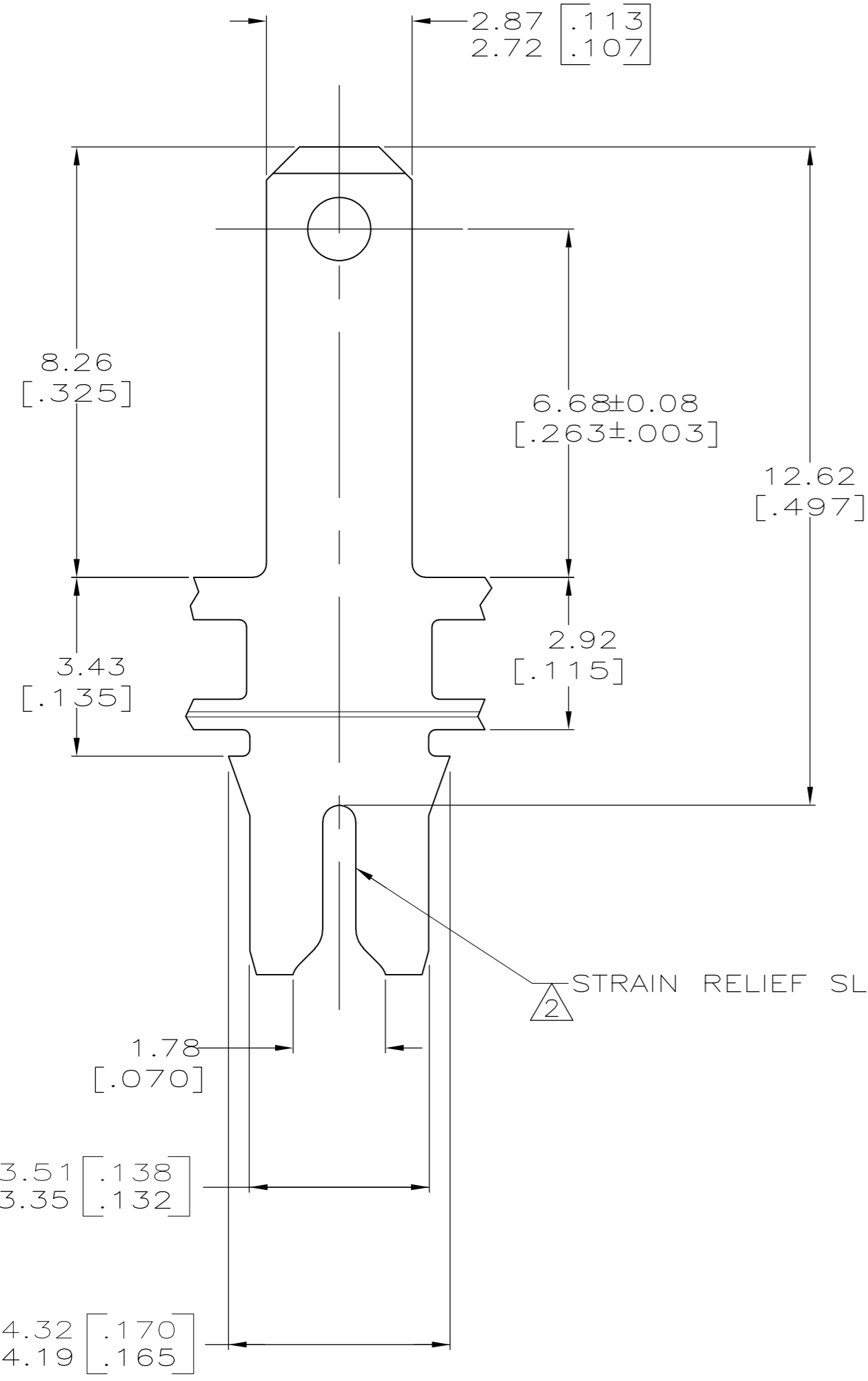


THIS DRAWING IS UNPUBLISHED. RELEASED FOR PUBLICATION
 © COPYRIGHT - TE Connectivity Ltd. ALL RIGHTS RESERVED.

REVISIONS				
P	LTR	DESCRIPTION	DATE	APVD
B2		REVISED PER ECR-18-018655	11DEC2018	BW SV



1 CONTINUOUS STRIP ON REELS WITH TERMINALS LOCATED ON 5.59 ± 0.08 [$.220 \pm .003$] CENTERS.
 2 SLOT TERMINATES A SINGLE OR DOUBLE MAGNET WIRE. COPPER RANGE: 0.36-0.57mm [#27-#23] AWG. ALUMINUM RANGE: 0.51-0.64mm [#24-#22] AWG. ALUMINUM WIRE RANGE APPLIES FOR POST-TIN PLATED VERSIONS ONLY.



63827-1
 PART NO.

THIS DRAWING IS A CONTROLLED DOCUMENT.		DWN R.GRZYBOWSKI 10/FEB/95	TE Connectivity Ltd.	
DIMENSIONS: MM [INCHES]		CHK PHILLIP M. FORTNEY 10/FEB/95		
TOLERANCES UNLESS OTHERWISE SPECIFIED:		APVD MS.FEHER 10/FEB/95	NAME	
0 PLC ± -	1 PLC ± -	PRODUCT SPEC 108-2012	TERMINAL, TAB, 2.79 [.110] FASTON, MAG-MATE	
2 PLC ± 0.25 [.010]	3 PLC ± -	APPLICATION SPEC 114-2046	SIZE A2	CAGE CODE 00779
4 PLC ± -	ANGLES ± -	MATERIAL 4M PRE-MILLED BRASS	DRAWING NO C=63827	RESTRICTED TO -
FINISH TIN PLATE		WEIGHT -	SCALE 10:1	SHEET 1 of 1
CUSTOMER DRAWING			REV B2	

X-ON Electronics

Largest Supplier of Electrical and Electronic Components

Click to view similar products for [Terminals](#) category:

Click to view products by [TE Connectivity](#) manufacturer:

Other Similar products are found below :

[HT-13-10](#) [71M-250-32-NB](#) [01-2065-1-0216](#) [00581P0075](#) [M10-10RX](#) [M10BCK](#) [60205-1](#) [604200-1](#) [60598-1-CUT-TAPE](#) [60617-1-C](#) [60873-1](#) [M14-516R/SK](#) [M14-6RSX](#) [M18-8FBX](#) [M18-8R/LX](#) [M18BCK](#) [61314-6-C](#) [61-S](#) [61-SN-A](#) [62-NBM-A](#) [63-S](#) [640179-1](#) [640917-2-CUT-TAPE](#) [6501550002](#) [66107-2-C](#) [696683-1](#) [696834-1](#) [696861-1](#) [696931-1](#) [696999-1](#) [M8-516RK](#) [M86700006](#) [MA250DMFMX-A](#) [701-2007](#) [701-2307](#) [701-7761-03](#) [70F-110-32-PB](#) [718-N-A](#) [71M-187-20-NBL](#) [71M-250-32-NBL](#) [72F-187-20-NBL](#) [72M-250-32-NBL](#) [7310](#) [73F-250-32](#) [73F-250-32-NL](#) [F14-10C](#) [F-1M](#) [751-250](#) [76650-5002](#) [76828-149](#)