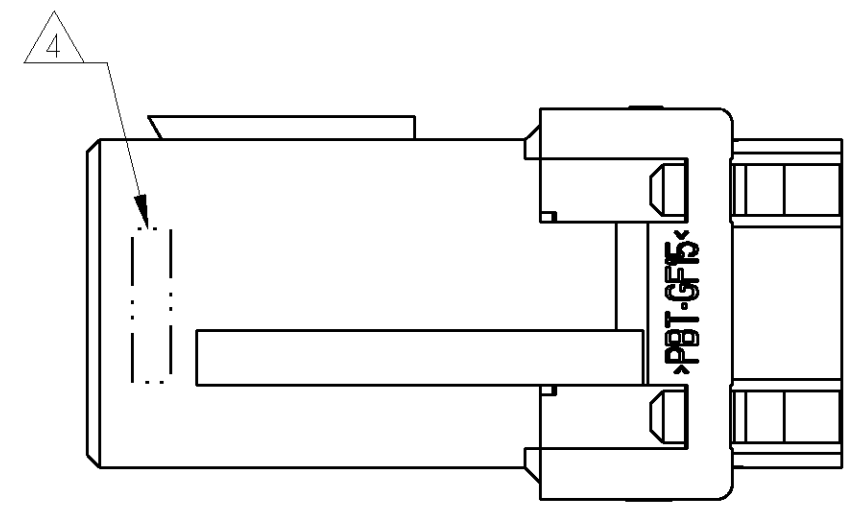
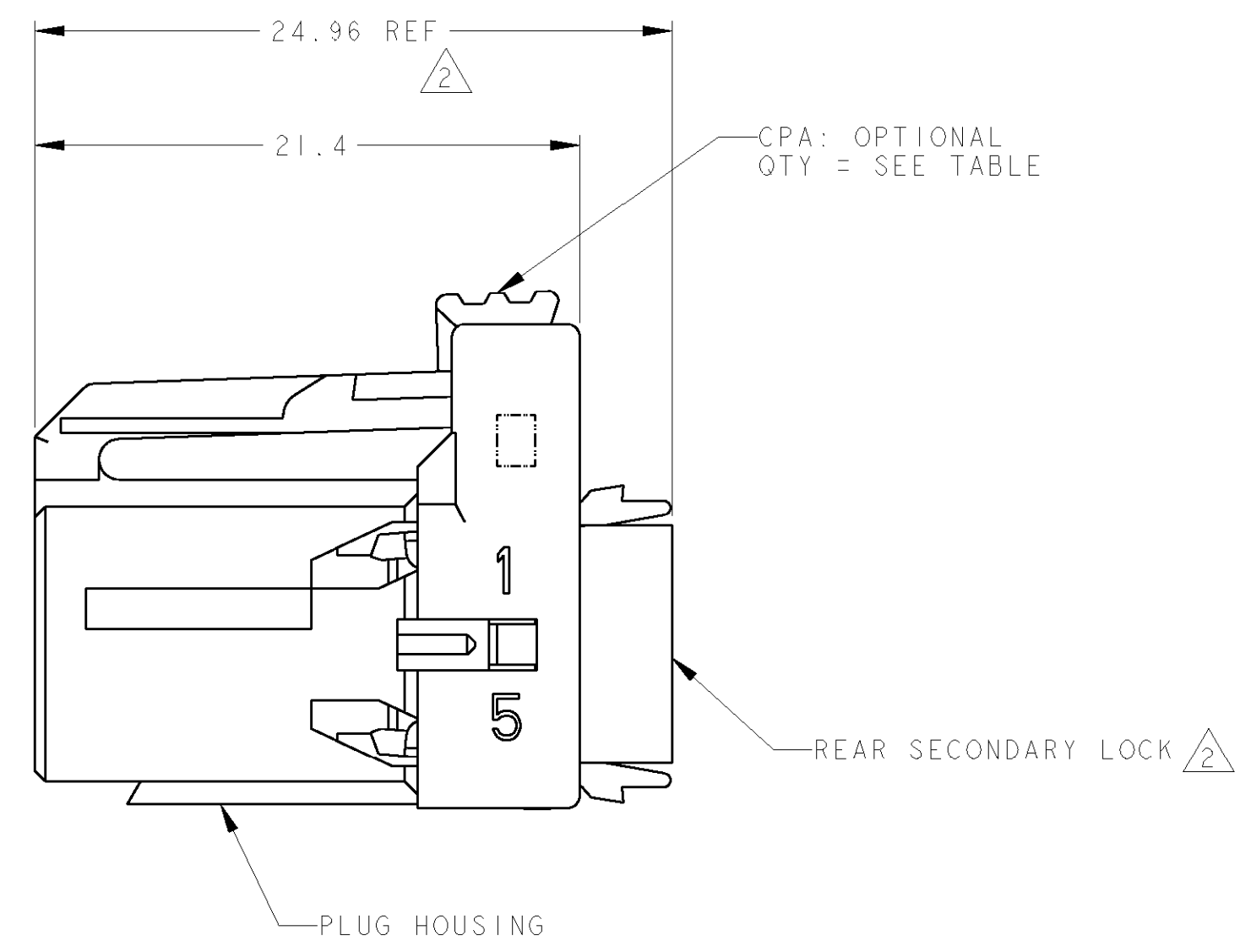
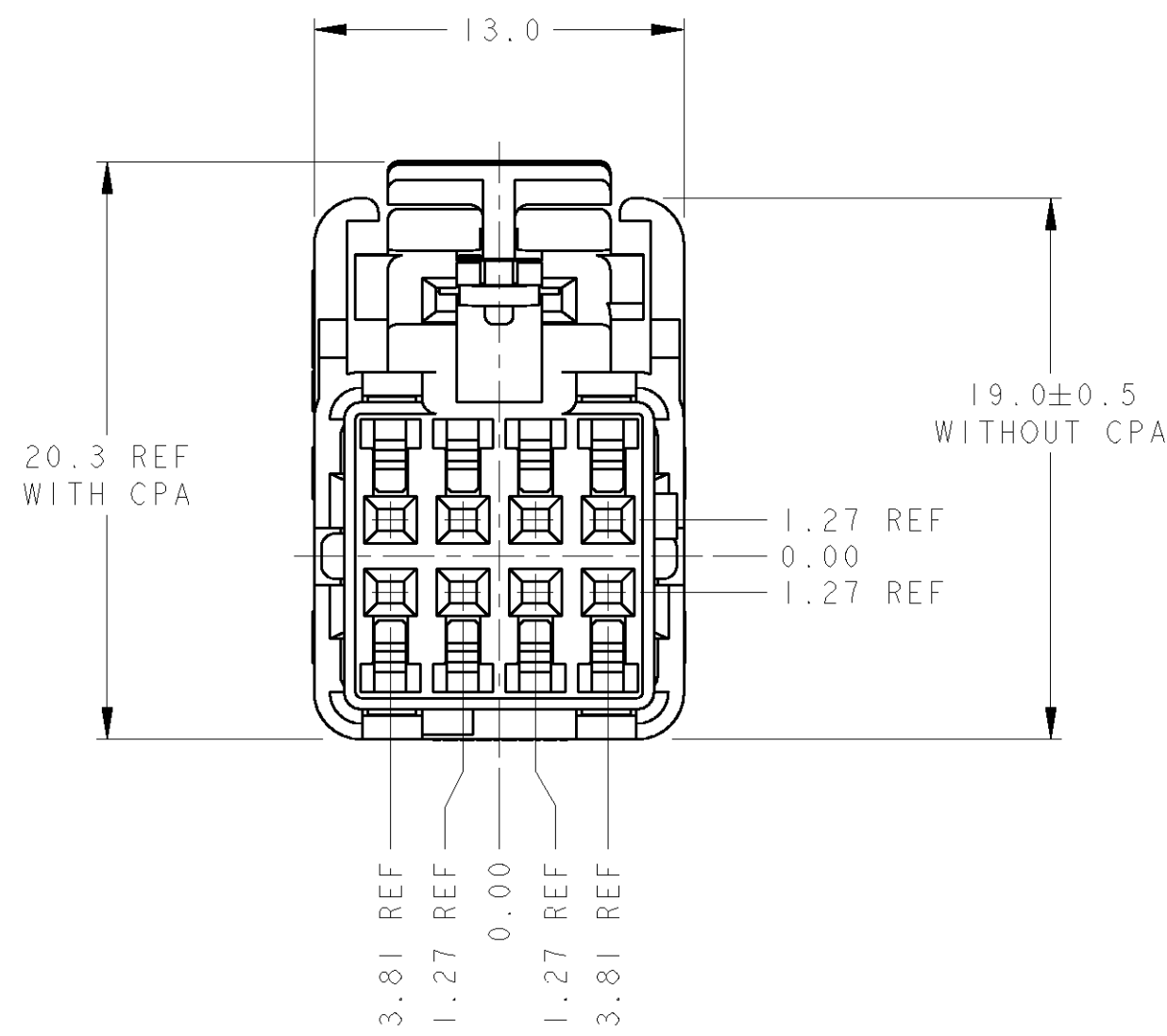


THIS DRAWING IS UNPUBLISHED. RELEASED FOR PUBLICATION
 © COPYRIGHT 20 BY TYCO ELECTRONICS CORPORATION. ALL RIGHTS RESERVED.

LOC	DIST	REVISIONS					
		P	LTR	DESCRIPTION	DATE	DWN	APVD
FX	00		O	REL PER NPR# 20109	13DEC00	PC	AE
			A	REV PER EC# 0K80-0005-01	30JAN01	PC	AE
			-	-	-	-	-



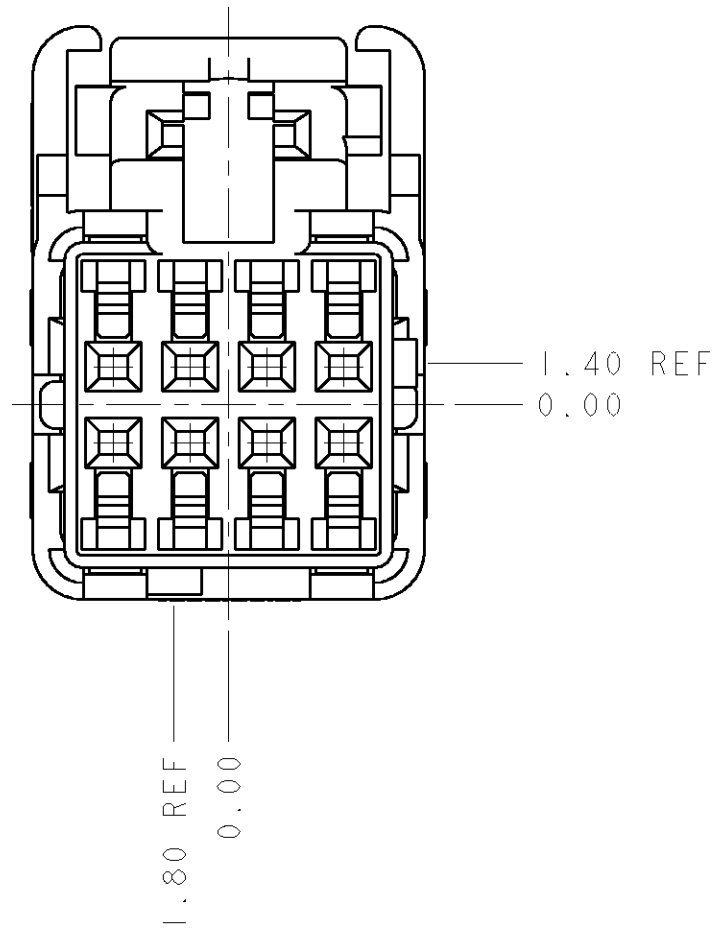
- 638392-4 SHOWN.
- REAR SECONDARY LOCK, SHOWN IN PRE-LATCHED POSITION.
- PLUG HOUSING: PBT, 15% GLASS FILLED, 25% MAX REGRIND, COLOR: SEE TABLE. REAR SECONDARY LOCK: PBT, UNFILLED, GRAY, 25% MAX REGRIND. CPA: PBT, 15% GLASS FILLED, RED, 25% MAX REGRIND.
- MARK FOUR DIGIT JULIAN DATE CODE (DDDY), LOCATED IN APPROXIMATE AREA SHOWN.
- TERMINALS SOLD SEPARATELY, SEE AMP RECOMMENDED P/N 1326028 (GOLD) OR 638551 (TIN) FOR TERMINATION AND REELING OPTIONS.
- THIS PRODUCT HAS A MINIMUM MISMATING FORCE OF 100 NEWTONS.
- WEIGHT OF ASSEMBLY WITH CPA IS 2.6 GRAMS. WEIGHT OF ASSEMBLY WITHOUT CPA IS 2.5 GRAMS.

I	PLUG HOUSING COLOR	KEYING ARRANGEMENT (SEE SHEET 2)	PART NUMBER
I	BLUE	"C"	638392-6
I	YELLOW	"B"	638392-5
I	BLACK	"A"	638392-4
N/A	BLUE	"C"	638392-3
N/A	YELLOW	"B"	638392-2
N/A	BLACK	"A"	638392-1

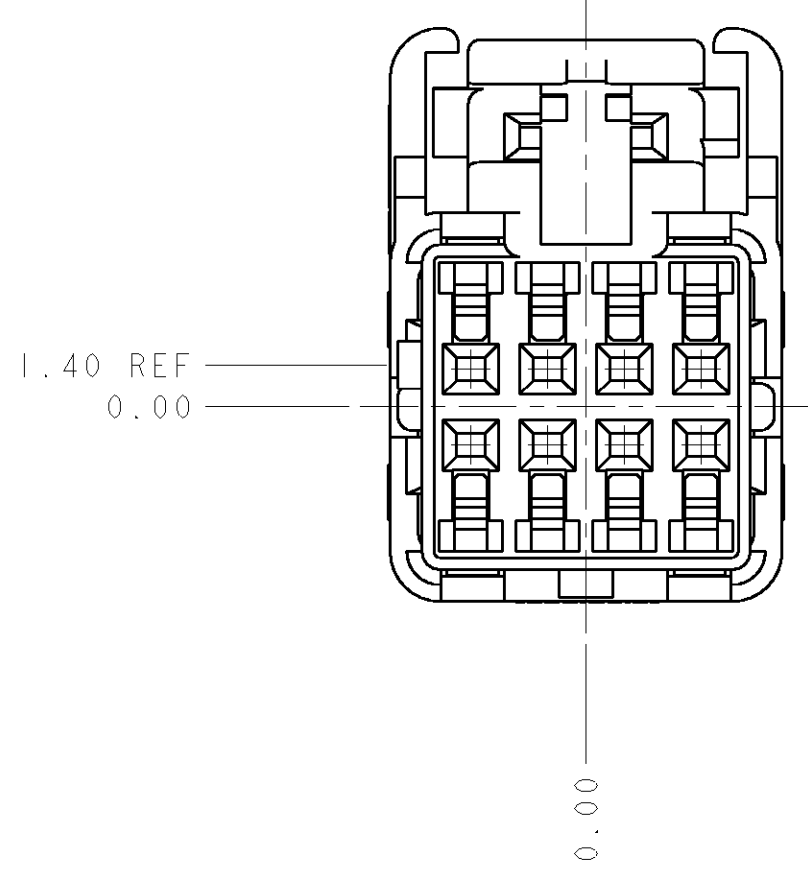
THIS DRAWING IS A CONTROLLED DOCUMENT FOR TYCO ELECTRONICS CORPORATION. IT IS SUBJECT TO CHANGE AND THE CONTROLLING ENGINEERING ORGANIZATION SHOULD BE CONTACTED FOR THE LATEST REVISION.		DWN: K. FOLTZ 26AUG99 CHK: A. EBRAHEEM 30JAN01 APVD: G. RALEN 30JAN01	AMP Tyco Electronics Harrisburg, PA 17105-3608
DIMENSIONS: mm 	TOLERANCES UNLESS OTHERWISE SPECIFIED: 0 PLC ± 1 PLC ±0.4 2 PLC ±0.30 3 PLC ± 4 PLC ± ANGLES ± FINISH -	PRODUCT SPEC: SAE/USCAR-2 8/97 APPLICATION SPEC: - WEIGHT: - CUSTOMER DRAWING	NAME: PLUG ASSEMBLY, UNSEALED, 8 POSITION 2X4, 0.64mm CONNECTOR SIZE: A2 CAGE CODE: 00779 DRAWING NO: 638392 RESTRICTED TO: - SCALE: 4:1 SHEET 1 OF 2 REV A

THIS DRAWING IS UNPUBLISHED. RELEASED FOR PUBLICATION
 © COPYRIGHT 20 BY TYCO ELECTRONICS CORPORATION. ALL RIGHTS RESERVED.

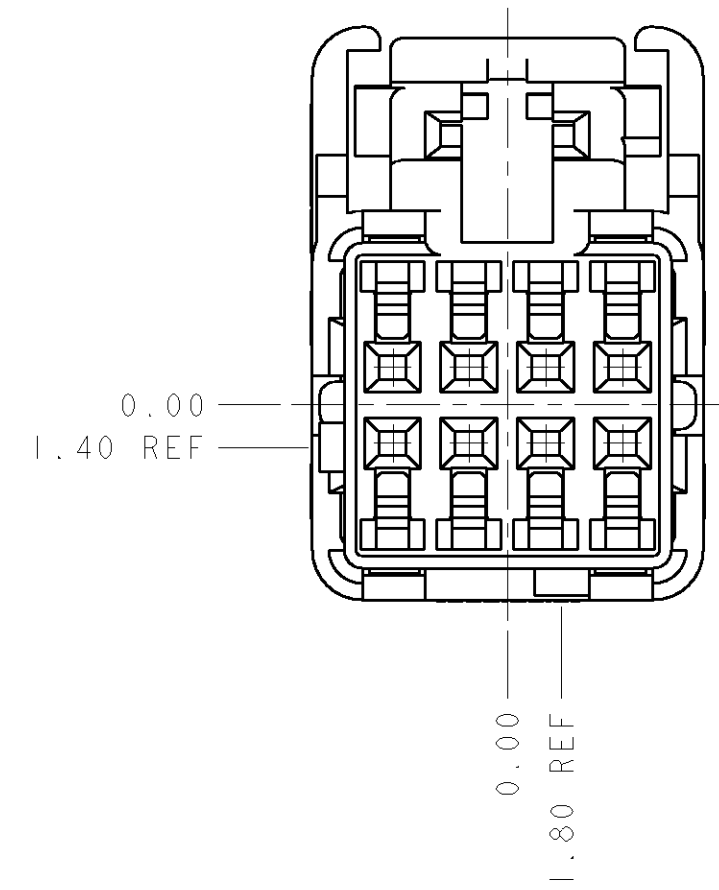
LOC	DIST	REVISIONS					
		P	LTR	DESCRIPTION	DATE	DWN	APVD
FX	00	-		SEE SHEET 1	-	-	-



KEY CODE "A"
 (APPLIES TO -1 AND -4 ONLY)
 SCALE 4:1



KEY CODE "B"
 (APPLIES TO -2 AND -5 ONLY)
 SCALE 4:1



KEY CODE "C"
 (APPLIES TO -3 AND -6 ONLY)
 SCALE 4:1

THIS DRAWING IS A CONTROLLED DOCUMENT FOR TYCO ELECTRONICS CORPORATION. IT IS SUBJECT TO CHANGE AND THE CONTROLLING ENGINEERING ORGANIZATION SHOULD BE CONTACTED FOR THE LATEST REVISION.		DWN K.FOLTZ	26AUG99	AMP Tyco Electronics Harrisburg, PA 17105-3608
DIMENSIONS: mm		CHK -	APVD -	
TOLERANCES UNLESS OTHERWISE SPECIFIED: 0 PLC ± 1 PLC ±0.4 2 PLC ±0.30 3 PLC ± 4 PLC ± ANGLES ± FINISH -		PRODUCT SPEC -	APPLICATION SPEC -	NAME PLUG ASSEMBLY, UNSEALED, 8 POSITION 2X4, 0.64mm CONNECTOR
MATERIAL -		WEIGHT -	SIZE A2	CAGE CODE 00779
		CUSTOMER DRAWING	DRAWING NO. 638392	RESTRICTED TO -
		SCALE 4:1	SHEET 2	OF 2
			REV A	

X-ON Electronics

Largest Supplier of Electrical and Electronic Components

Click to view similar products for [Automotive Connectors](#) category:

Click to view products by [TE Connectivity](#) manufacturer:

Other Similar products are found below :

[003-018-000](#) [60403001](#) [60993906-B](#) [M902-2131](#) [M902-2161](#) [72.330.1035.1](#) [73.353.4028.0](#) [F119300-B](#) [F166900](#) [F258300-B](#) [F358300-B](#)
[F407400](#) [F444110](#) [F487000](#) [F509500B-B](#) [827153-1](#) [8N1515-32-24P](#) [9-1326729-8](#) [925474-1](#) [928905-1](#) [964562-4](#) [968782-1](#) [GT17SA-8DS-](#)
[HU](#) [98891-1012](#) [98947-1016](#) [12004147](#) [12004475-L](#) [12010290](#) [12010309-B](#) [12015454](#) [12020219-B](#) [12020308](#) [12041318-B](#) [12052225-L](#)
[12052466](#) [12059125](#) [12064869](#) [12004327-B](#) [12010503-B](#) [12015308](#) [12015384](#) [12015909](#) [1-21030-1](#) [12041254](#) [12041318](#) [12047946-B](#)
[12047957](#) [12047957-L](#) [12059473](#) [12066261](#)