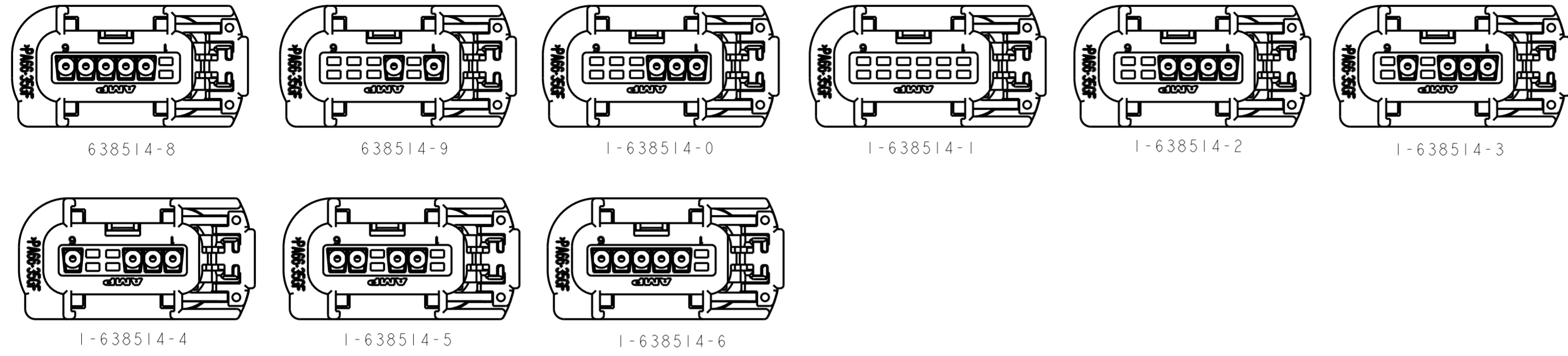
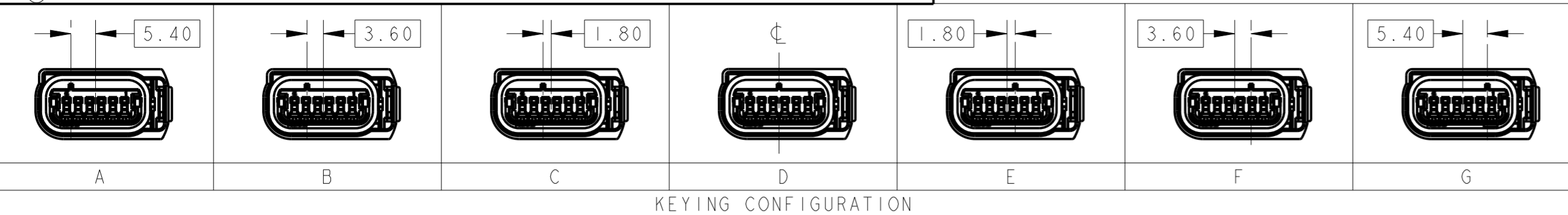
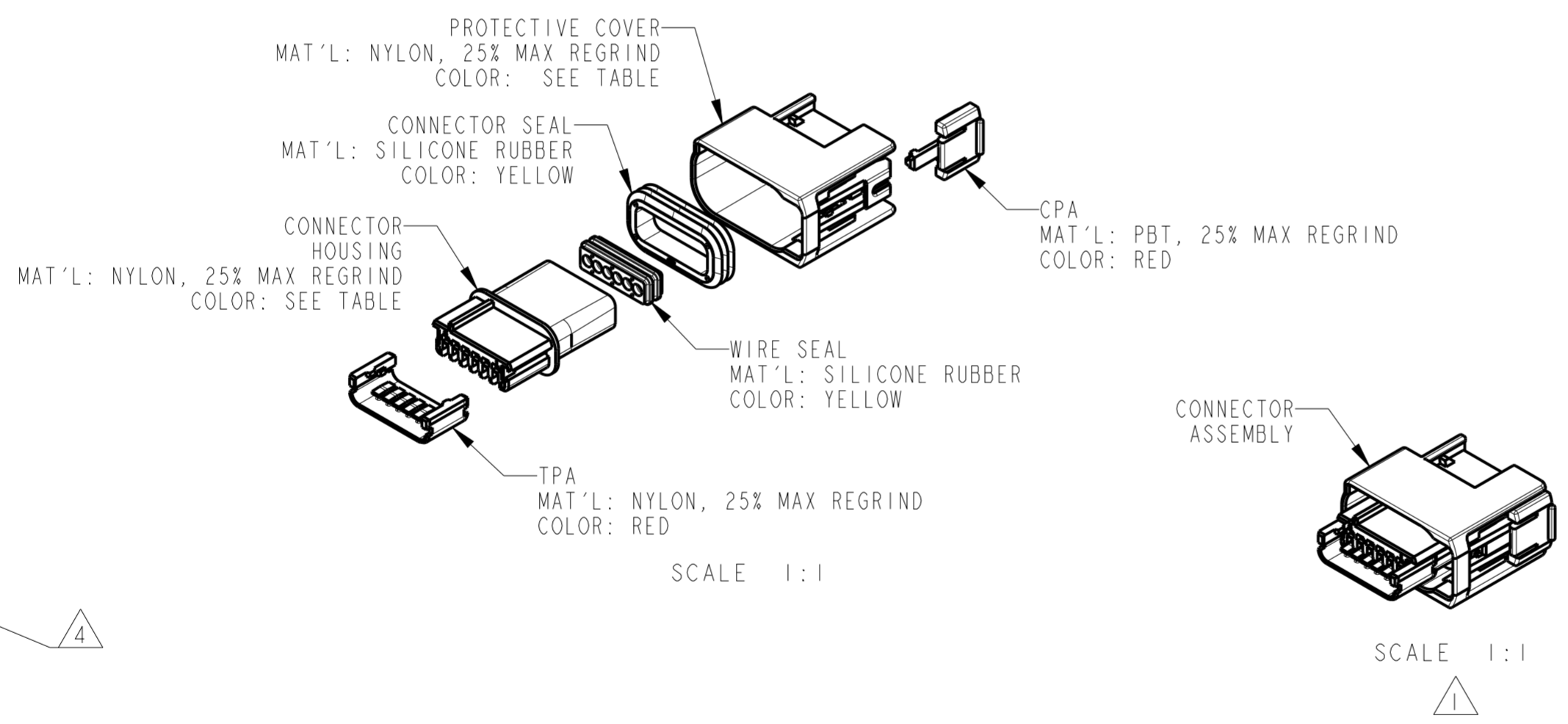


THIS DRAWING IS UNPUBLISHED. RELEASED FOR PUBLICATION 20
 © COPYRIGHT BY ALL RIGHTS RESERVED.

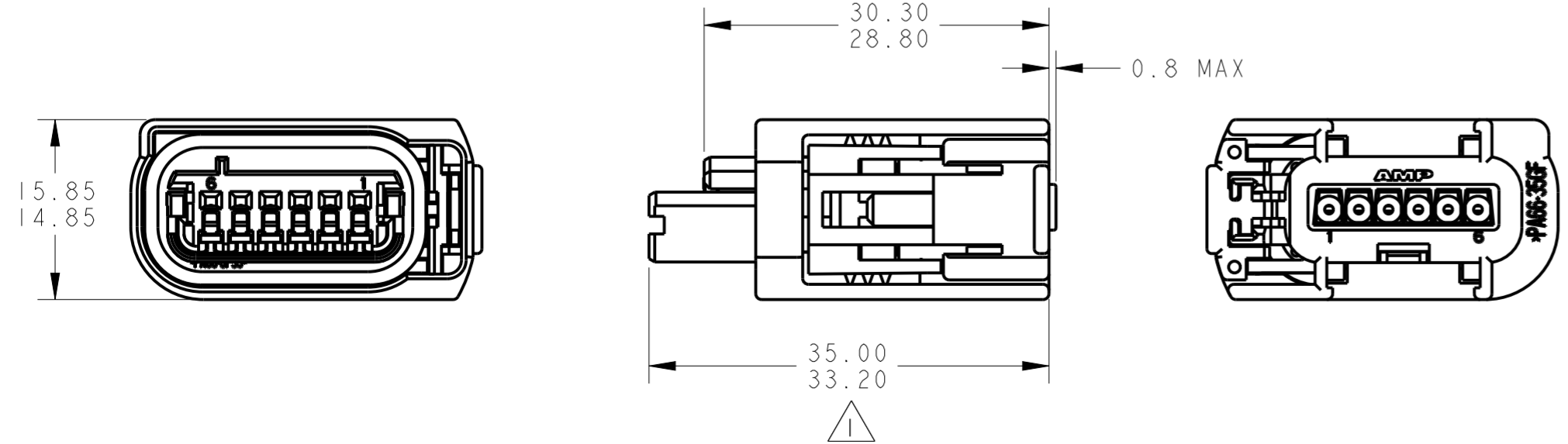
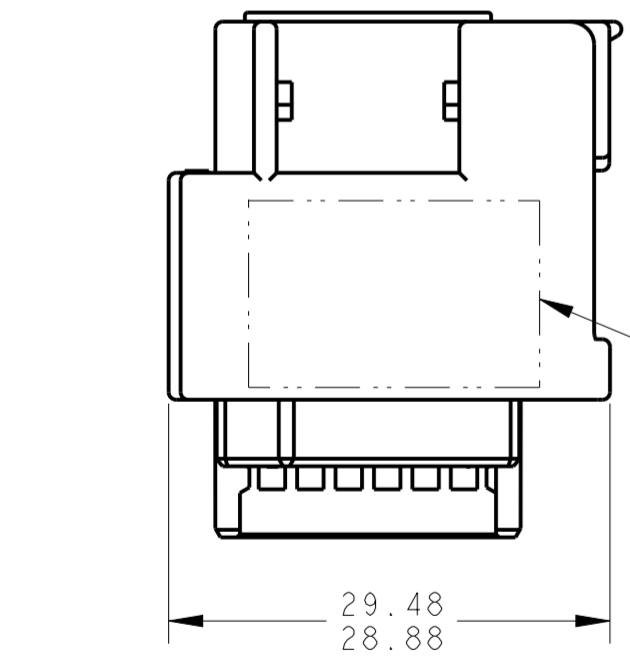
| REVISIONS | | | | | |
|-----------|-----|---------------------------|-----------|-----|------|
| P | LTR | DESCRIPTION | DATE | DWN | APVD |
| F1 | | REVISED PER ECO-08-018575 | 30JUL2008 | DLD | CJS |
| F2 | | REVISED PER ECO-16-011103 | 15AUG2016 | DLD | JRV |
| F3 | | REVISED PER ECO-20-012419 | 23APR2021 | AP | JRV |



- 1 TPA SHOWN IN PRE-LATCHED POSITION.
- 2 A "X" IN THIS TABLE INDICATES THAT THE CIRCUIT IS BLOCKED AND WILL NOT ALLOW INSERTION OF TERMINAL. A "-" INDICATES THAT INSERTION OF TERMINAL CAN OCCUR.
- 3. PART NUMBER 638514-1 SHOWN.
- 4 AMP PART NUMBER AND DATE CODE MARKED IN THIS GENERAL LOCATION.
- 5. TERMINALS SOLD SEPARATELY. SEE AMP RECOMMENDED PART NUMBERS 1326028 (GOLD PLATED), OR 638551 (TIN PLATED) FOR TERMINATION AND REELING OPTIONS.
- 6 OBSOLETE PART NUMBER.



ISOMETRIC VIEWS



| | CIRCUIT 6 | CIRCUIT 5 | CIRCUIT 4 | CIRCUIT 3 | CIRCUIT 2 | CIRCUIT 1 | KEYING CONFIGURATION (SEE TABLE) | PART NUMBER |
|--|-----------------|-----------|-----------|-----------|-----------|-----------|----------------------------------|-------------|
| BLACK | - | - | - | - | - | X | G | 1-638514-6 |
| BLACK | - | - | X | - | - | X | A | 1-638514-5 |
| BLACK | - | X | X | - | - | - | A | 1-638514-4 |
| BLACK | X | - | X | - | - | - | A | 1-638514-3 |
| BLACK | X | X | - | - | - | - | A | 1-638514-2 |
| BLACK | X | X | X | X | X | X | A | 1-638514-1 |
| BLACK | X | X | X | - | X | - | A | 638514-9 |
| BLACK | - | - | - | - | - | X | A | 638514-8 |
| BLACK | - | - | - | - | - | - | G | 638514-7 |
| BLACK | - | - | - | - | - | - | F | 638514-6 |
| BLACK | - | - | - | - | - | - | E | 638514-5 |
| BLACK | - | - | - | - | - | - | D | 638514-4 |
| BLACK | - | - | - | - | - | - | C | 638514-3 |
| YELLOW | - | - | - | - | - | - | B | 638514-2 |
| BLACK | - | - | - | - | - | - | A | 638514-1 |
| PROTECTIVE COVER & CONNECTOR HOUSING COLOR | CIRCUIT PATTERN | | | | | | KEYING CONFIGURATION (SEE TABLE) | PART NUMBER |

THIS DRAWING IS A CONTROLLED DOCUMENT.

DWN: B. BUCHTER 12APR2001
 CHK: M. SHORE 12APR2001
 APVD: G. BALAN 12APR2001

PRODUCT SPEC: SAE/USCAR-2 8/97
 APPLICATION SPEC: -

NAME: CONNECTOR ASSEMBLY, FEMALE, 6 POSITION, SEALED, 0.64mm

SIZE: A2 CAGE CODE: 00779 DRAWING NO: 638514 RESTRICTED TO: -

MATERIAL: SEE CALLOUT
 TOLERANCES UNLESS OTHERWISE SPECIFIED:
 0 PLC ±
 1 PLC ±
 2 PLC ±0.5
 3 PLC ±0.20
 4 PLC ±
 ANGLES ±
 FINISH -

CUSTOMER DRAWING SCALE: 2:1 SHEET: 1 OF 1 REV: F3

X-ON Electronics

Largest Supplier of Electrical and Electronic Components

Click to view similar products for [Automotive Connectors](#) category:

Click to view products by [TE Connectivity](#) manufacturer:

Other Similar products are found below :

[003-018-000](#) [60403001](#) [60993906-B](#) [M902-2131](#) [M902-2161](#) [72.330.1035.1](#) [73.353.4028.0](#) [F119300-B](#) [F166900](#) [F258300-B](#) [F358300-B](#)
[F407400](#) [F444110](#) [F487000](#) [F509500B-B](#) [827153-1](#) [8N1515-32-24P](#) [9-1326729-8](#) [925474-1](#) [928905-1](#) [964562-4](#) [968782-1](#) [GT17SA-8DS-](#)
[HU](#) [98891-1012](#) [98947-1016](#) [12004147](#) [12004475-L](#) [12010290](#) [12010309-B](#) [12015454](#) [12020219-B](#) [12020308](#) [12041318-B](#) [12052225-L](#)
[12052466](#) [12059125](#) [12064869](#) [12004327-B](#) [12010503-B](#) [12015308](#) [12015384](#) [12015909](#) [1-21030-1](#) [12041254](#) [12041318](#) [12047946-B](#)
[12047957](#) [12047957-L](#) [12059473](#) [12066261](#)