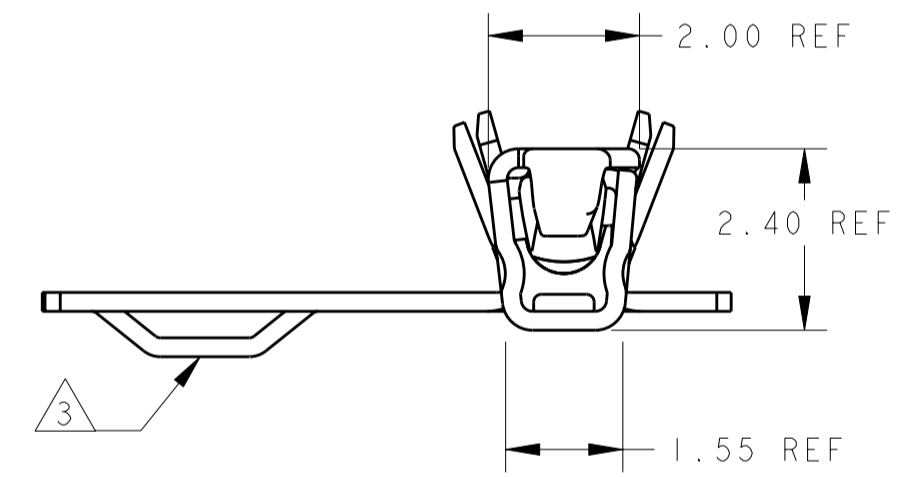
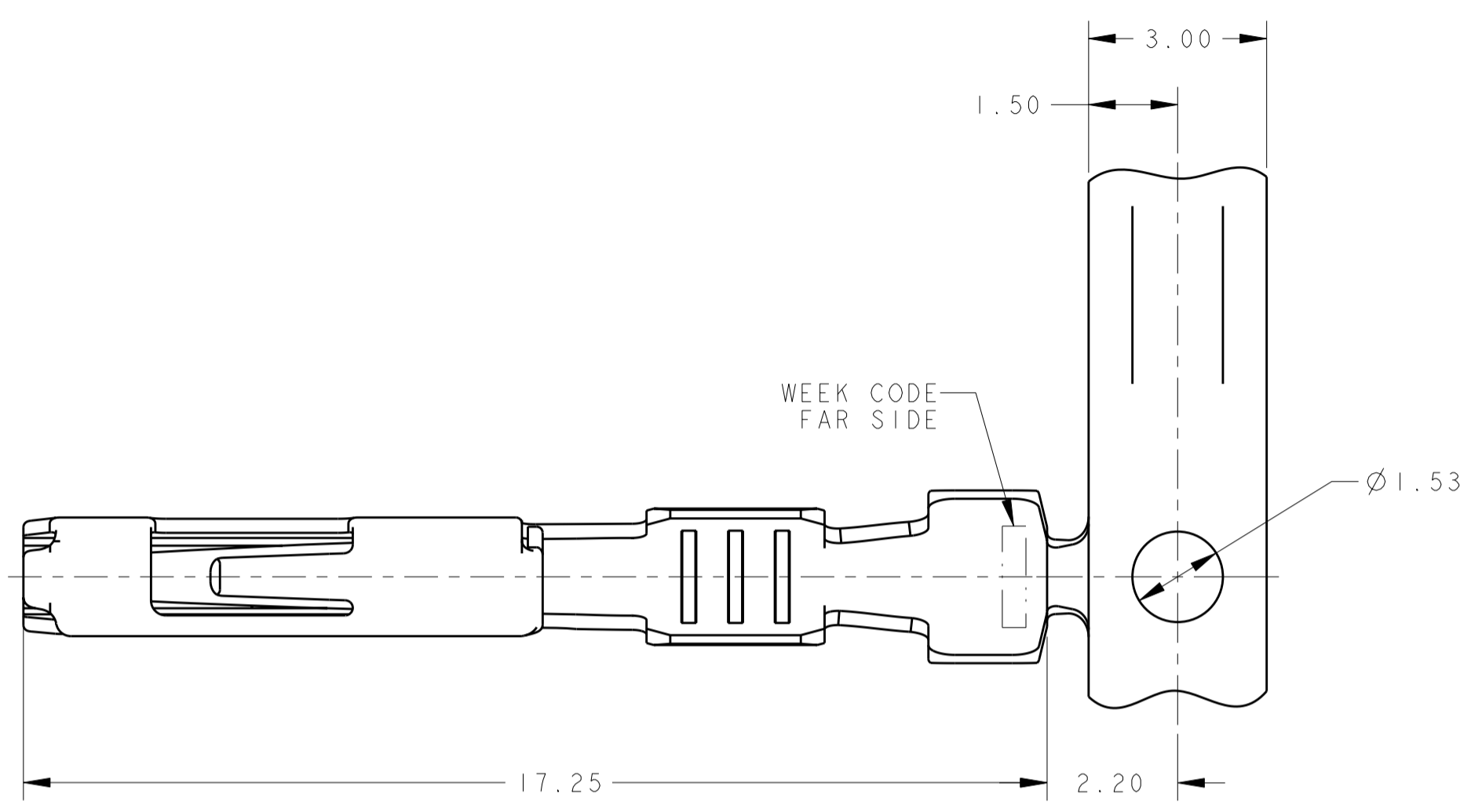
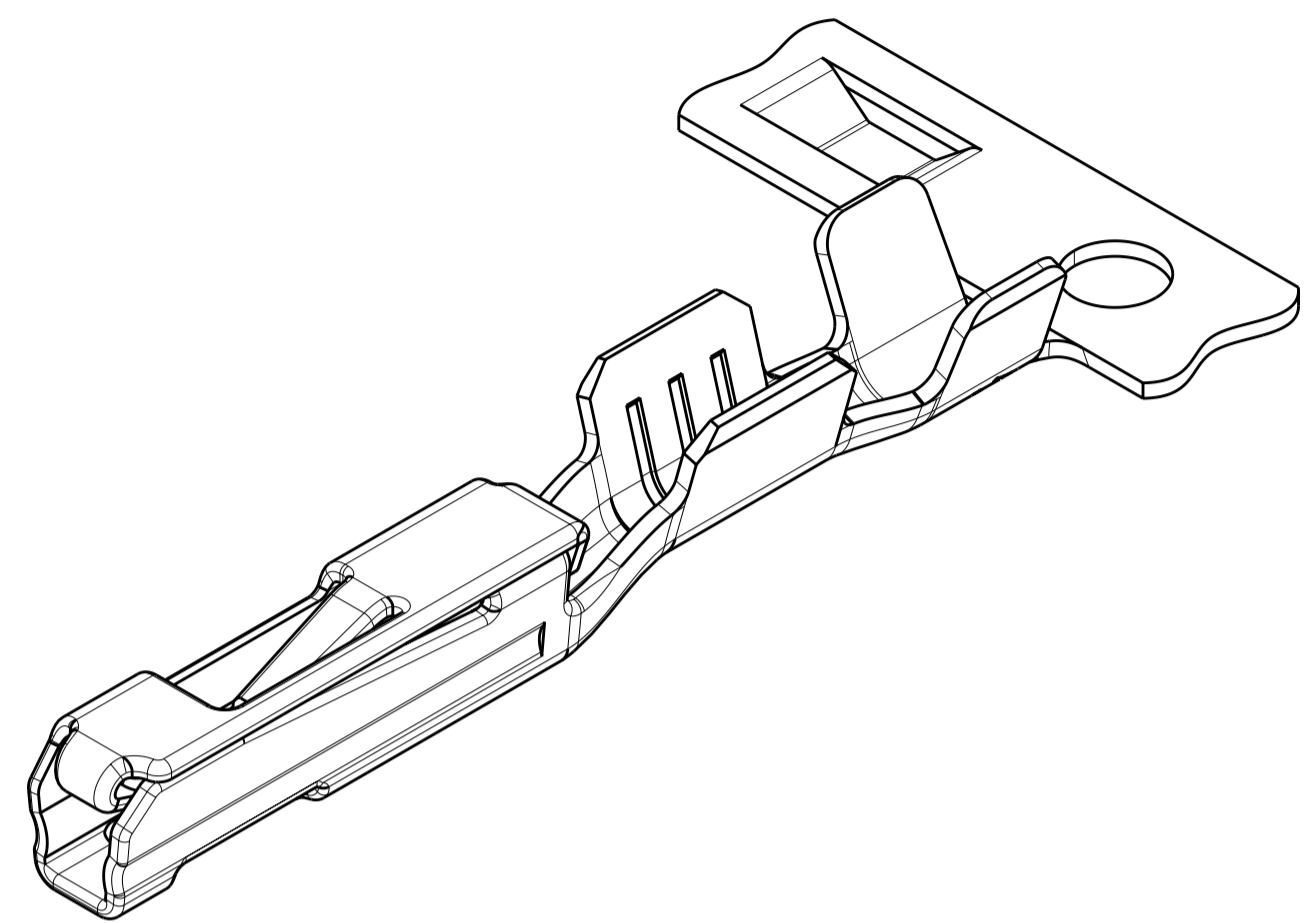
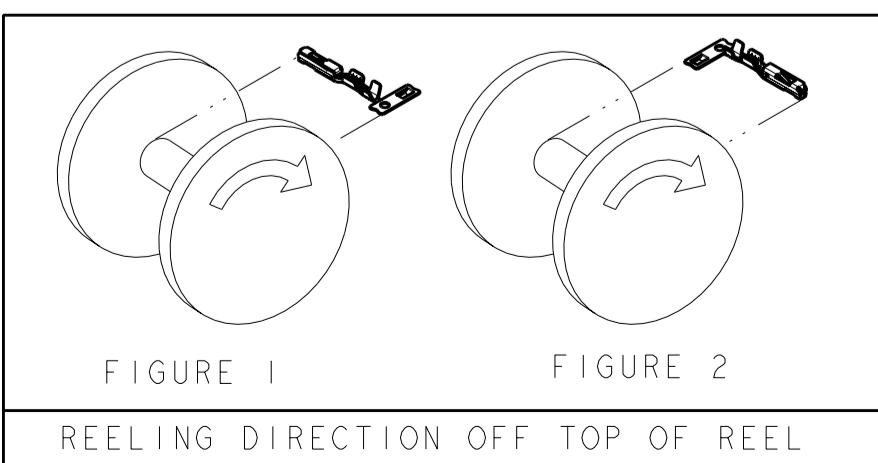


THIS DRAWING IS UNPUBLISHED. RELEASED FOR PUBLICATION 20  
 © COPYRIGHT 20 BY - ALL RIGHTS RESERVED.

LOC	DIST	REVISIONS			
P	LTR	DESCRIPTION	DATE	DWN	APVD
FX	00	B2	REVISED PER ECO-11-005030	12MAR2011	RK HMR



- 1. FINISH: PLATED 0.001 MIN THICK TIN.
- 2. PART LUBRICATED WITH ANTI-FRETTING LUBRICANT, MSDS 125-6344
- 3. FEATURE ON CARRIER STRIP IS DEPRESSED ON TIN PLATED PRODUCT. FEATURE APPEARS ADJACENT TO EVERY OTHER CONTACT MIN.
- 4. SEE FIGURE 1 FOR REELING DIRECTION.
- 5. SEE FIGURE 2 FOR REELING DIRECTION.
- 6. FOR LEVER ASSISTED CONNECTORS WITH SIDE SLIDE ACTION THE ALLOWABLE WIRE BRUSH LENGTH RANGE IS 0.10-0.70MM.



THIS DRAWING IS A CONTROLLED DOCUMENT.		DWN J. R. SHUEY 02SEP99	TE Connectivity	
DIMENSIONS: mm		CHK J. M. MYER 02SEP99		
TOLERANCES UNLESS OTHERWISE SPECIFIED:		APVD K. DENLINGER 02SEP99	NAME CONTACT, FEMALE, 0.64mm TIN PLATED	
0 PLC ±	1 PLC ±	PRODUCT SPEC 108-2220	SIZE A20779	CAGE CODE C-638551
2 PLC ±0.20	3 PLC ±	APPLICATION SPEC 114-13006	DRAWING NO	RESTRICTED TO
4 PLC ±	ANGLES ±3°	WEIGHT -	SCALE 10:1 SHEET 1 OF 1 REV B2	
FINISH 1	MATERIAL 0.25 THK COPPER ALLOY		CUSTOMER DRAWING	

## X-ON Electronics

Largest Supplier of Electrical and Electronic Components

*Click to view similar products for [Automotive Connectors](#) category:*

*Click to view products by [TE Connectivity](#) manufacturer:*

Other Similar products are found below :

[003-018-000](#) [60403001](#) [60993906-B](#) [M902-2131](#) [M902-2161](#) [M902-2344](#) [72.330.1035.1](#) [73.353.4028.0](#) [F119300-B](#) [F166900](#) [F258300-B](#)  
[F358300-B](#) [F407400](#) [F444110](#) [F487000](#) [F509500B-B](#) [827153-1](#) [8N1515-32-24P](#) [9-1326729-8](#) [925474-1](#) [928905-1](#) [964562-4](#) [968782-1](#)  
[GT17SA-8DS-HU](#) [98891-1012](#) [98947-1016](#) [12004147](#) [12004475-L](#) [12010290](#) [12015454](#) [12020219-B](#) [12041318-B](#) [12052225-L](#) [12052466](#)  
[12064869](#) [12004327-B](#) [12015308](#) [12015384](#) [12015909](#) [1-21030-1](#) [12041254](#) [12041318](#) [12047946-B](#) [12047957](#) [12047957-L](#) [12059473](#)  
[12066261](#) [12110546](#) [12110546-B](#) [12131792](#)