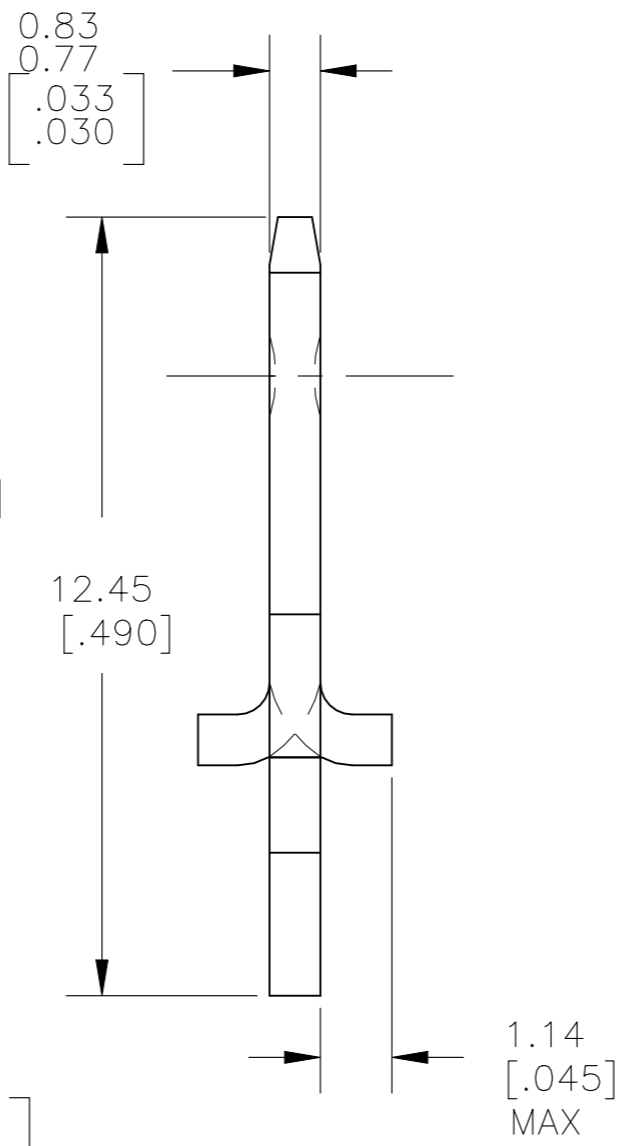
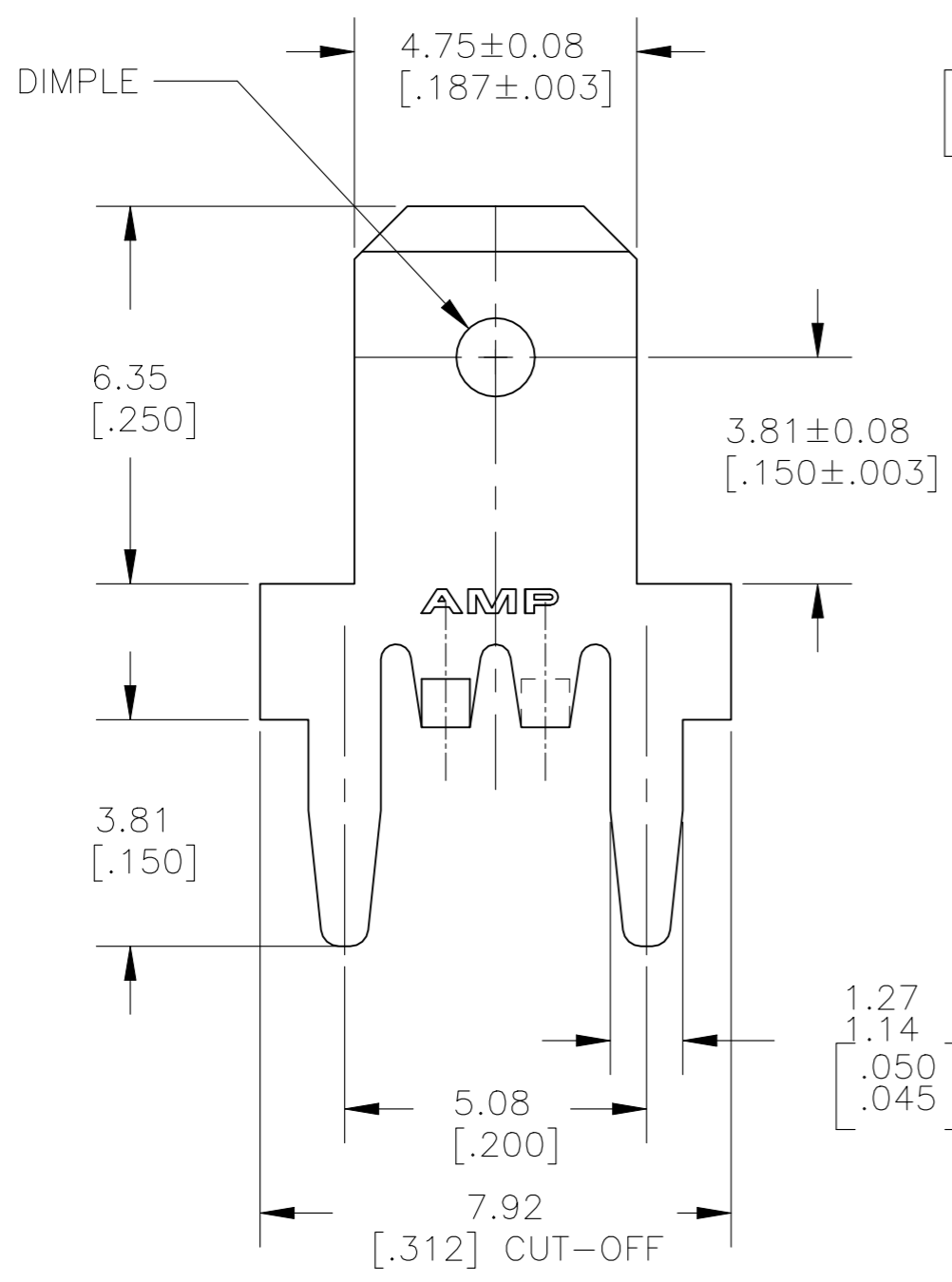
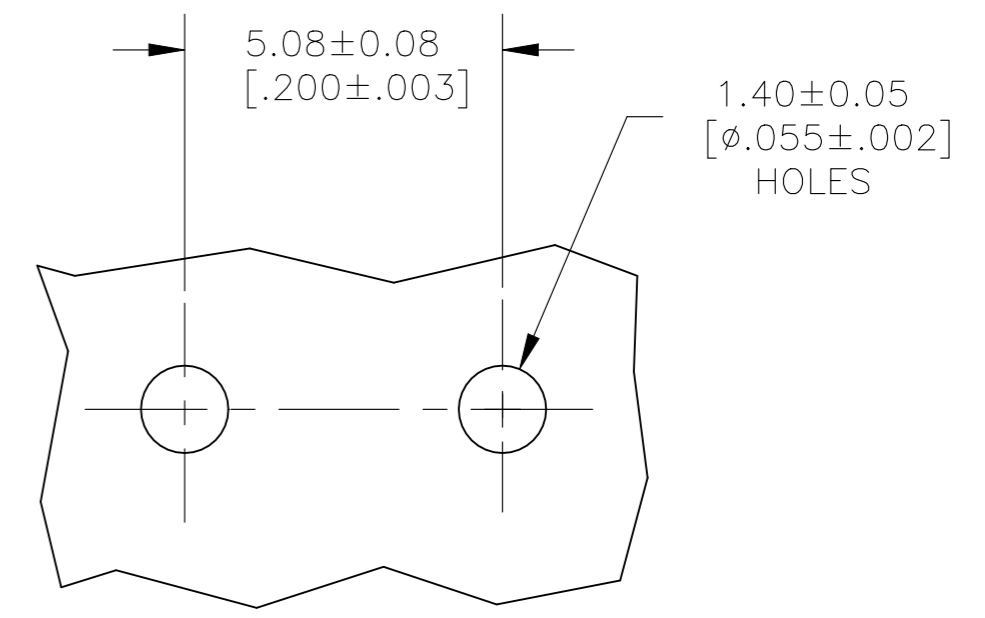


THIS DRAWING IS UNPUBLISHED. RELEASED FOR PUBLICATION  
 © COPYRIGHT - By - ALL RIGHTS RESERVED.

| REVISIONS |     |                           |           |     |      |
|-----------|-----|---------------------------|-----------|-----|------|
| P         | LTR | DESCRIPTION               | DATE      | DWN | APVD |
|           | H2  | REVISED PER ECR-21-107179 | 15JUL2021 | SS  | EW   |



- 1 CONTINUOUS STRIP ON REELS.
- 2 TIN PLATE 0.00381 [.000150] MIN OVER 0.00254 [.000100] MIN THK COPPER OR TIN PLATE 0.00381 [.000150] MIN OVER 0.00127 [.000050] MIN THK NICKEL.
- 3 LOOSE PIECE TYPE.
- 4 NOTE REMOVED



P.C. BOARD HOLE PATTERN

|          |         |
|----------|---------|
| 3        | 63860-2 |
| 1        | 63860-1 |
| PART NO. |         |

|  |  |  |               |         |                            |           |            |                  |
|--|--|--|---------------|---------|----------------------------|-----------|------------|------------------|
| THIS DRAWING IS A CONTROLLED DOCUMENT. |  | DWN                                    | JR RUTH       | 13FEB01 | <b>STE</b> TE Connectivity |           |            |                  |
|  |  | CHK                                    | MS FEHER      | 20FEB01 |                            |           |            |                  |
| DIMENSIONS:<br>mm [INCHES]             |  | TOLERANCES UNLESS OTHERWISE SPECIFIED: |               |         | NAME                       |           |            |                  |
|  |  | 0 PLC                                  | ± -           |         | TAB, FASTON, P.C.BOARD     |           |            |                  |
|  |  | 1 PLC                                  | ± -           |         | 4.75 [.187]                |           |            |                  |
|  |  | 2 PLC                                  | ± 0.25 [.010] |         |                            |           |            |                  |
|  |  | 3 PLC                                  | ± -           |         |                            |           |            |                  |
| MATERIAL                               |  | 4 PLC                                  | ± -           |         | SIZE                       | CAGE CODE | DRAWING NO | RESTRICTED TO    |
| BRASS                                  |  | ANGLES                                 | ± -           |         | A3                         | 00779     | C-63860    | -                |
|  |  | FINISH                                 | -2            |         | WEIGHT                     |           | 0.376      | CUSTOMER DRAWING |
|  |  |  |               |         | SCALE                      | 8:1       | SHEET      | 1 OF 1           |
|  |  |  |               |         | REV                        |           | H2         |                  |

## X-ON Electronics

Largest Supplier of Electrical and Electronic Components

*Click to view similar products for [Terminals](#) category:*

*Click to view products by [TE Connectivity](#) manufacturer:*

Other Similar products are found below :

[00-054007-01074-6](#) [00-054007-70206-1](#) [00-054007-70210-8](#) [00-054007-70217-7](#) [00-054007-70226-9](#) [00-054007-70228-3](#) [00-054007-70248-1](#) [00-054007-70256-6](#) [00-054007-70301-3](#) [00-054007-70316-7](#) [00-054007-49560-4](#) [00-054007-70209-2](#) [00-054007-70225-2](#) [00-054007-70227-6](#) [00-054007-70231-3](#) [00-054007-70241-2](#) [00-054007-70242-9](#) [00-054007-70244-3](#) [00-054007-70246-7](#) [00-054007-70263-4](#) [00-054007-70288-7](#) [00-054007-70290-0](#) [00-054007-70300-6](#) [00-054007-70304-4](#) [01-2065-1-0216](#) [01-2900-1-04412](#) [00581P0075](#) [600TS-10](#) [60205-1](#) [604200-1](#) [605601-1](#) [60598-1-CUT-TAPE](#) [61314-6-C](#) [61810-3](#) [61-S](#) [61-SN](#) [626-0194](#) [62-NBM-A](#) [62-SN](#) [62-SP](#) [63-S](#) [640179-1](#) [M55155/059I03](#) [M55155/079C01](#) [M55155/099H02](#) [M55155/109H01](#) [M55155/109H02](#) [M55155/12XH05](#) [M55155/16XH02](#) [M55155/29-5S](#)