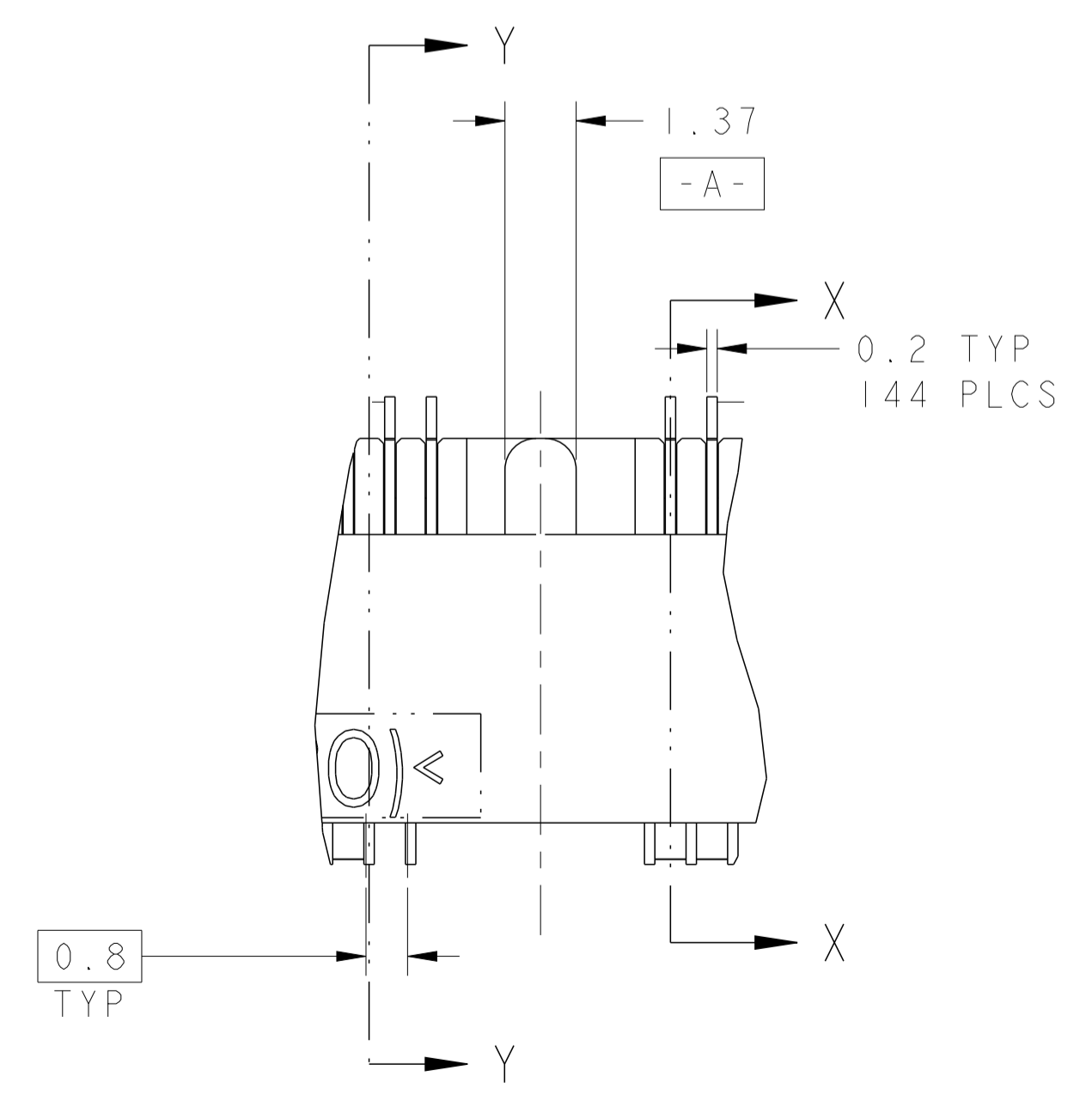
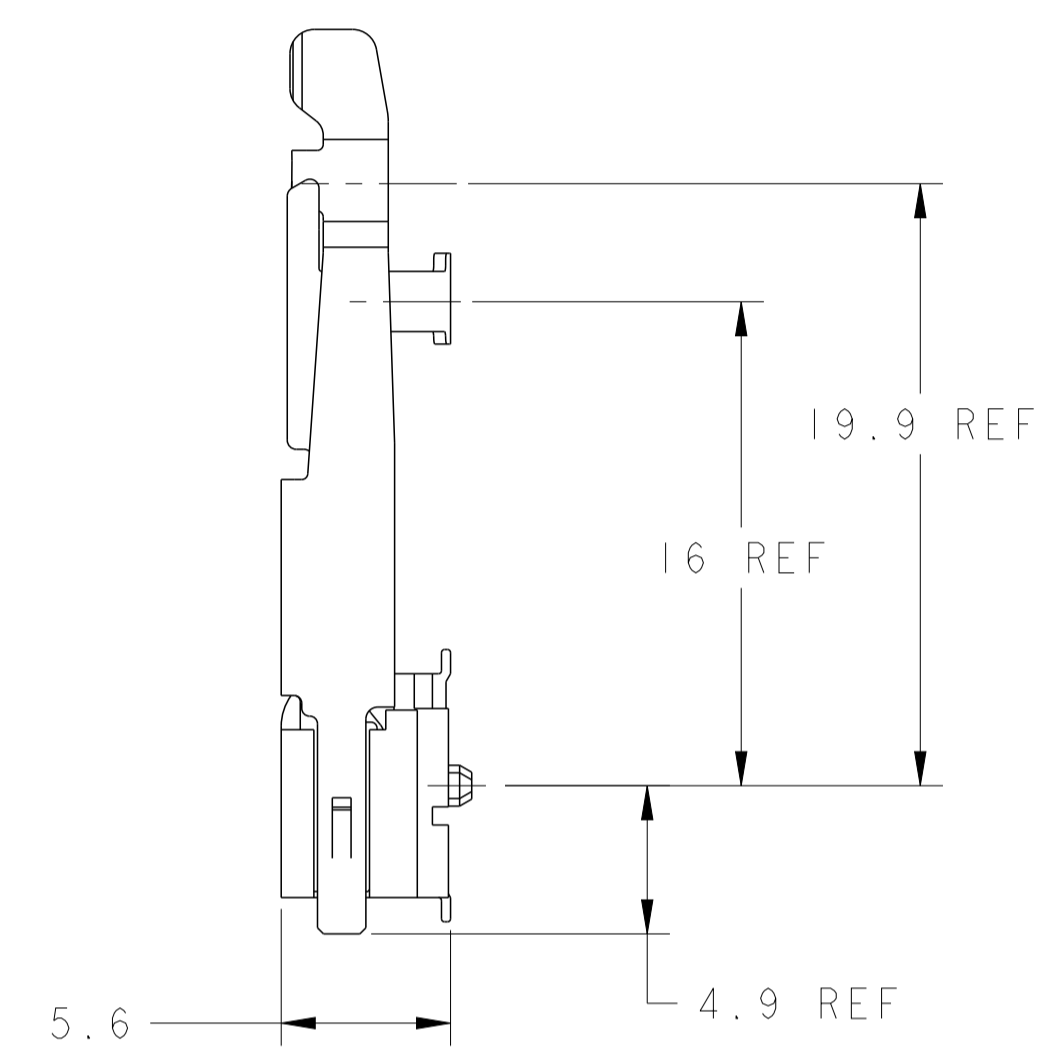
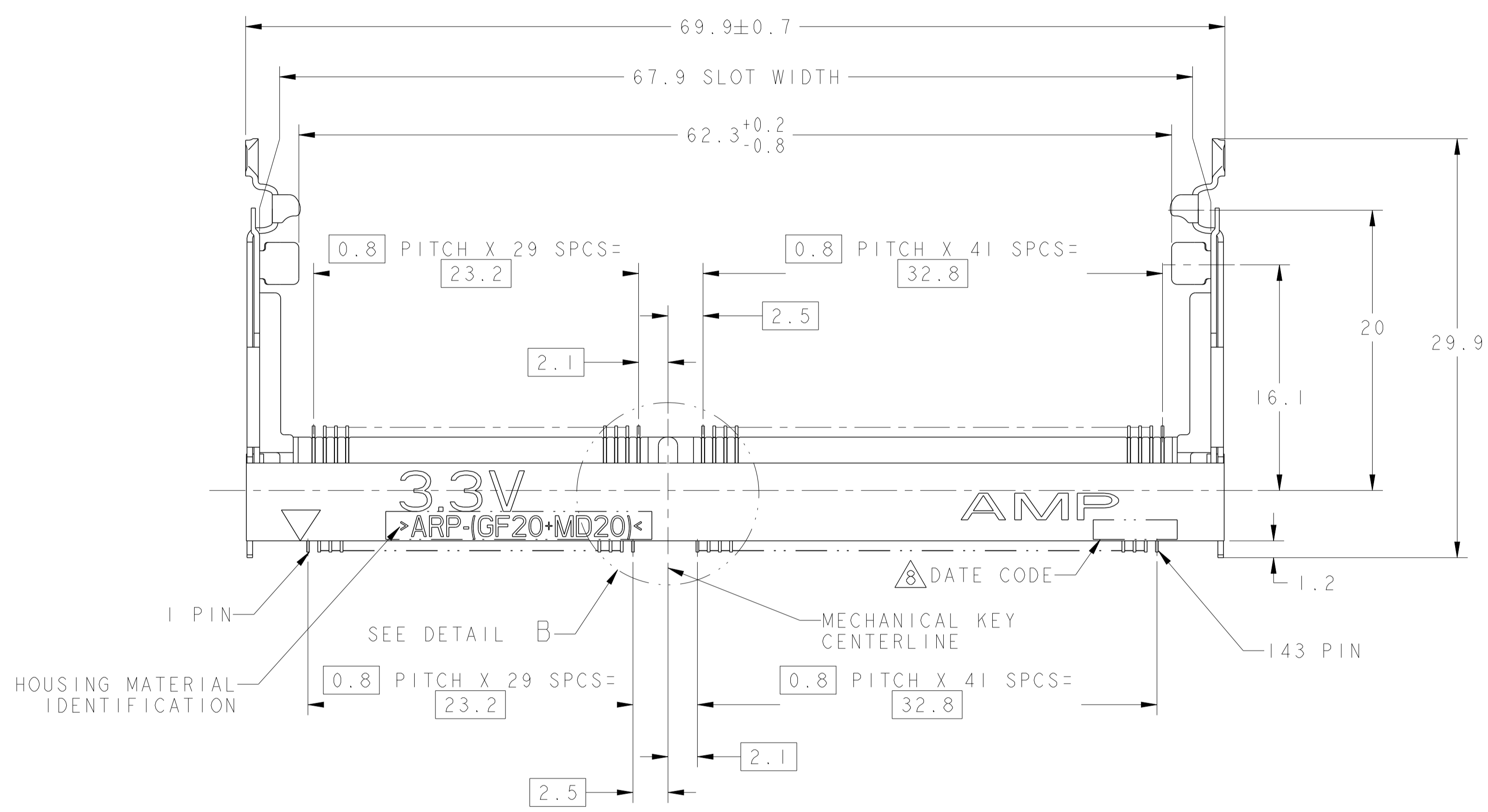
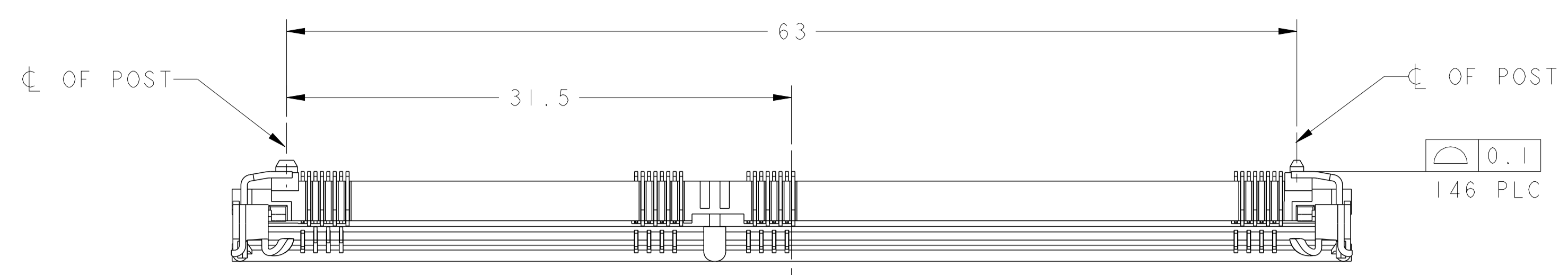
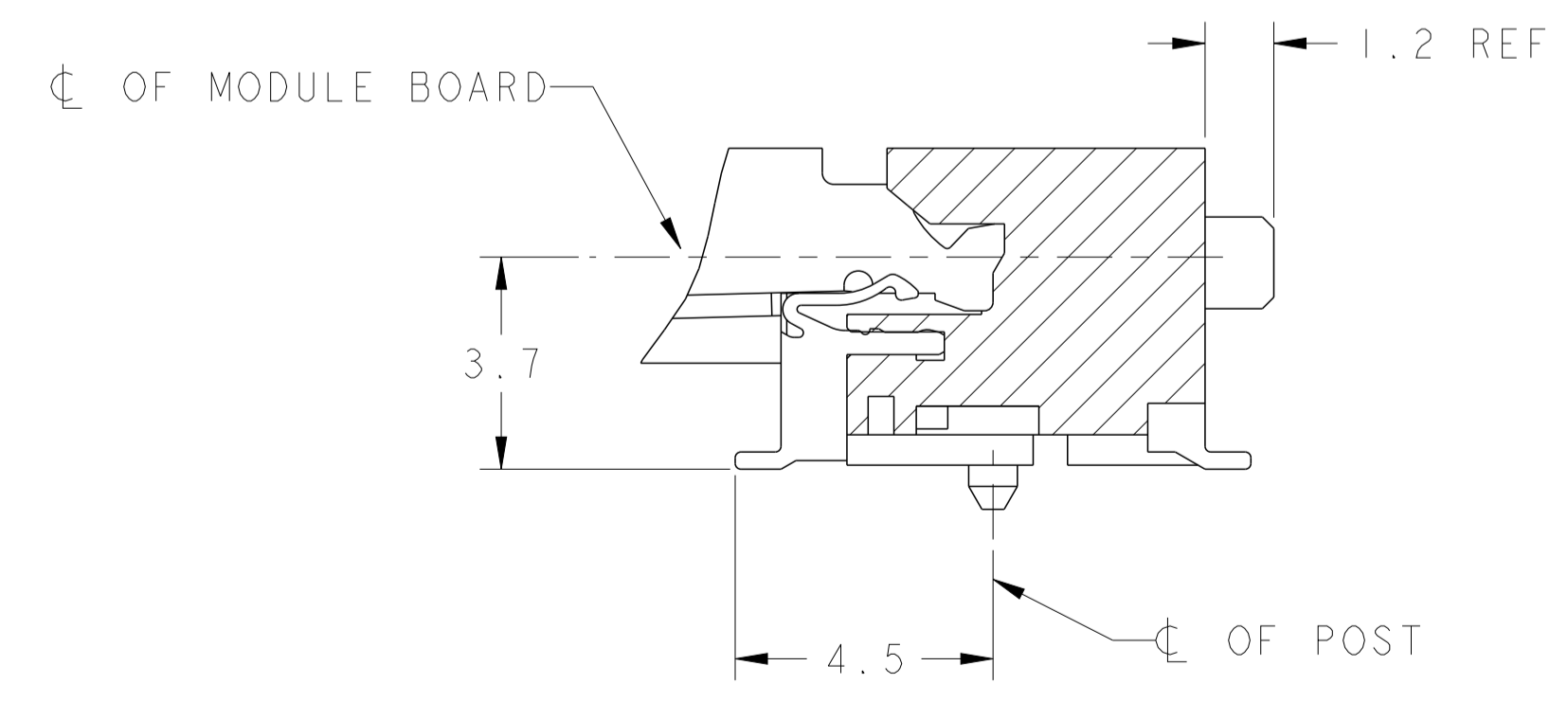


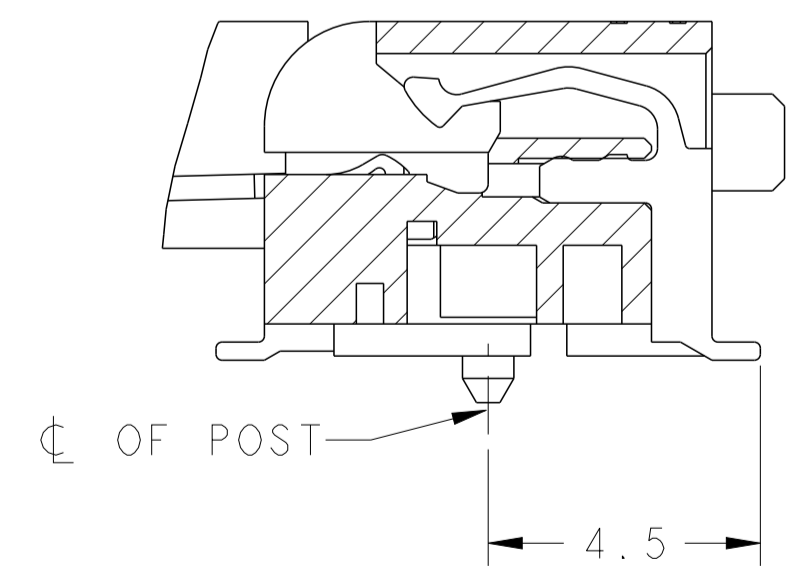
LOC		DIST		REVISIONS			
F	LT#	DESCRIPTION	DATE	BY	APPD		
R		REVISED PER ECR-10-007858	13APR2010	SYJ	LSF		



DETAIL B
SCALE 8:1



SECTION X-X
ROTATED 90° CCW
SCALE 8:1



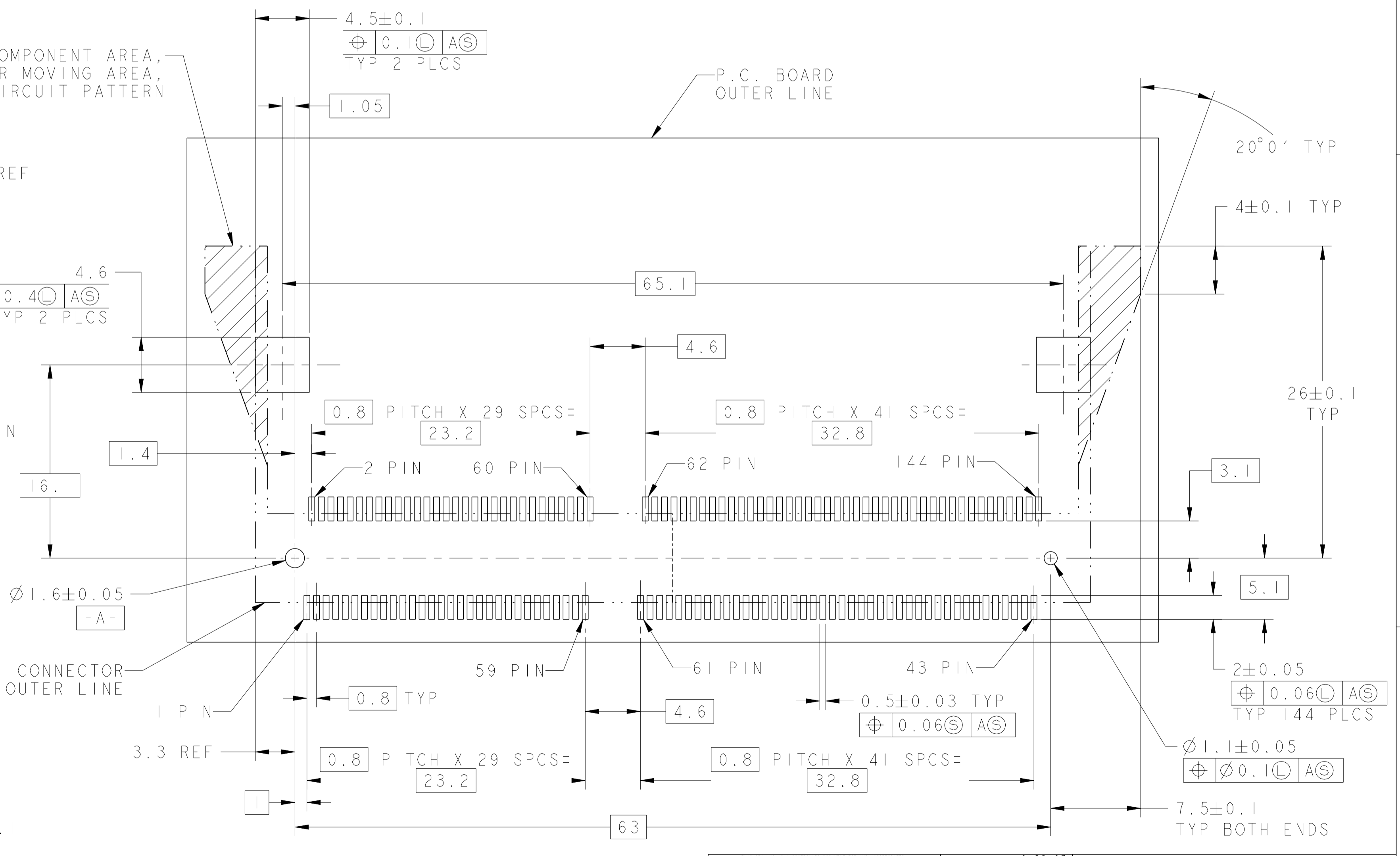
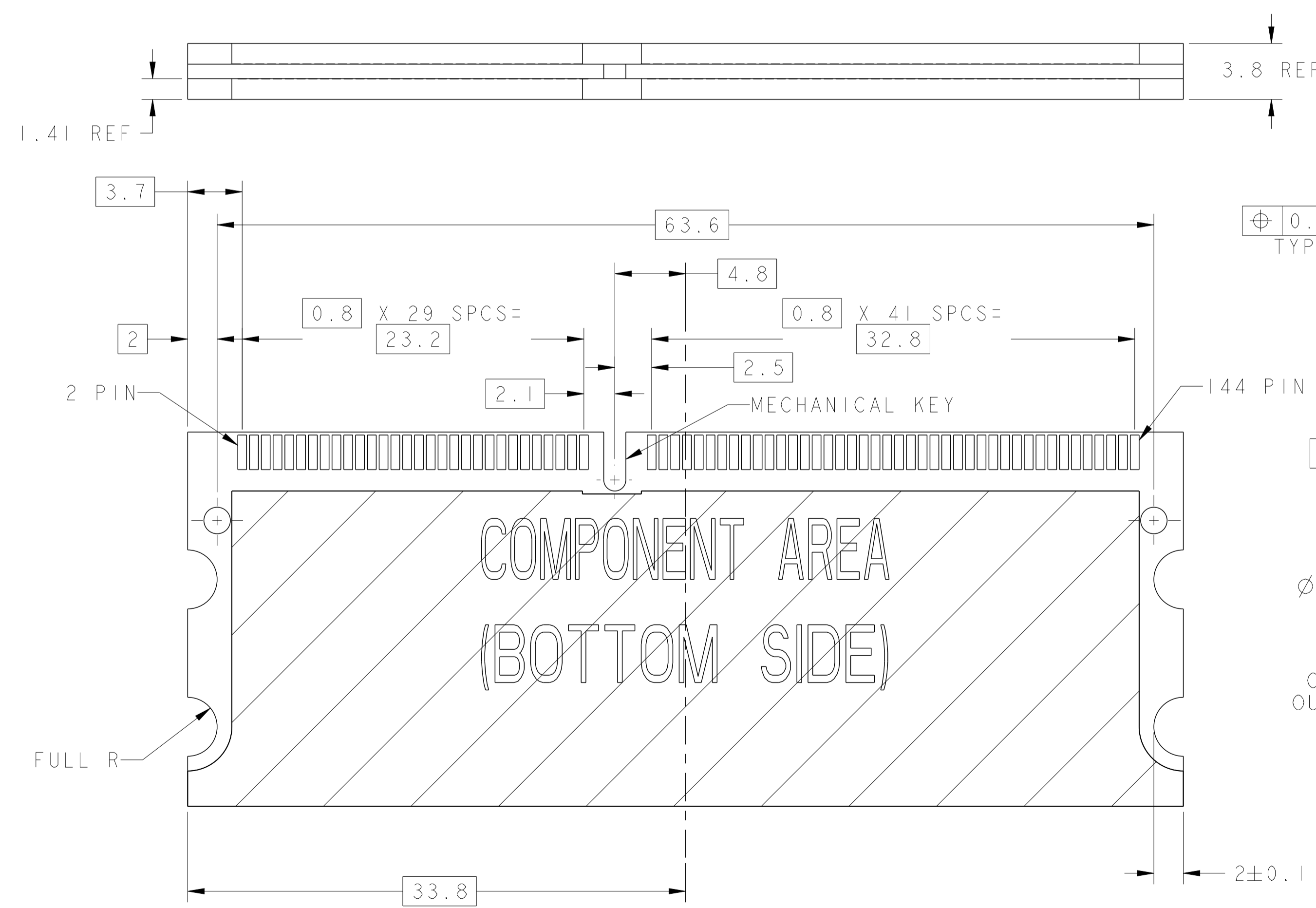
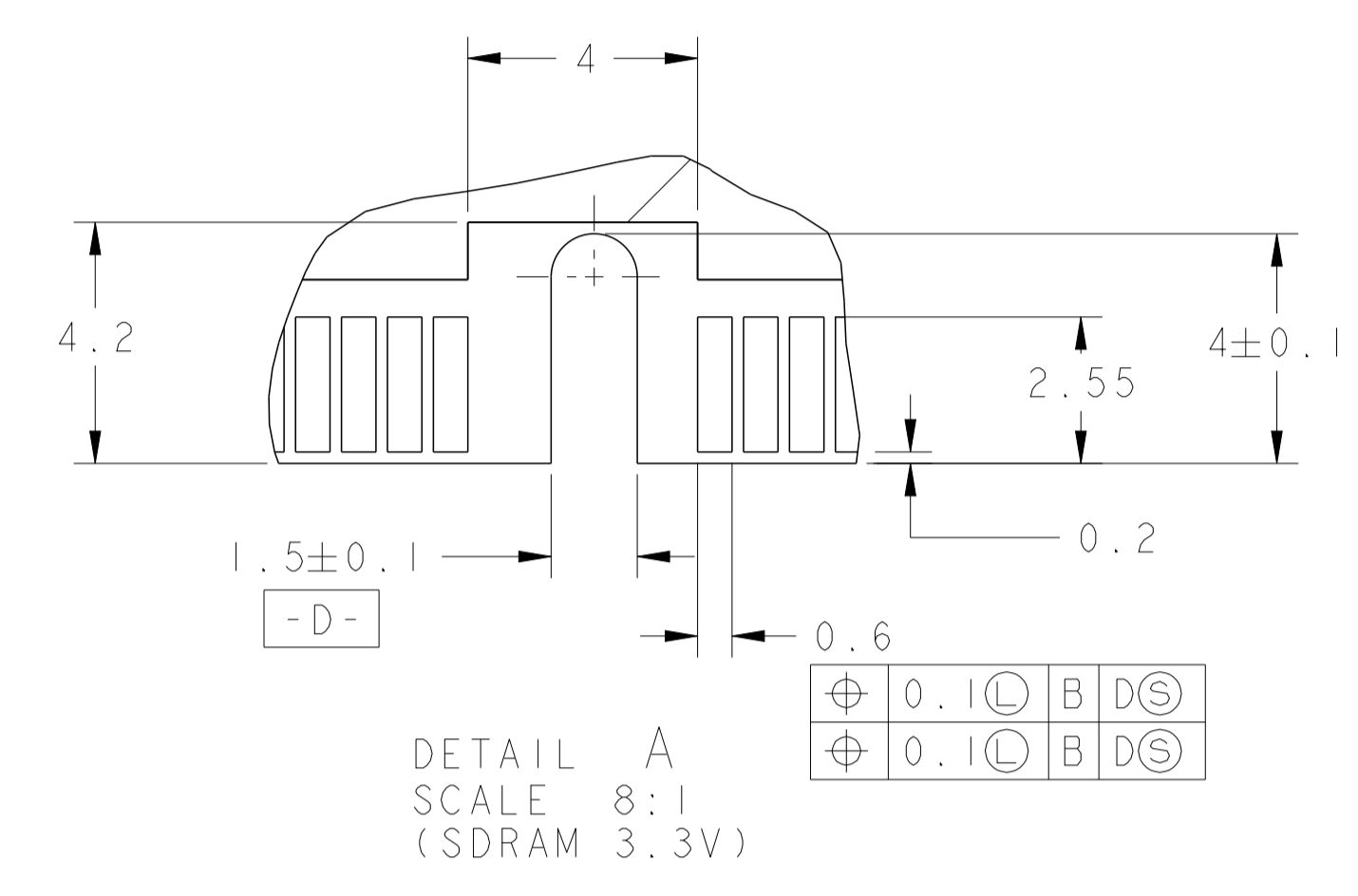
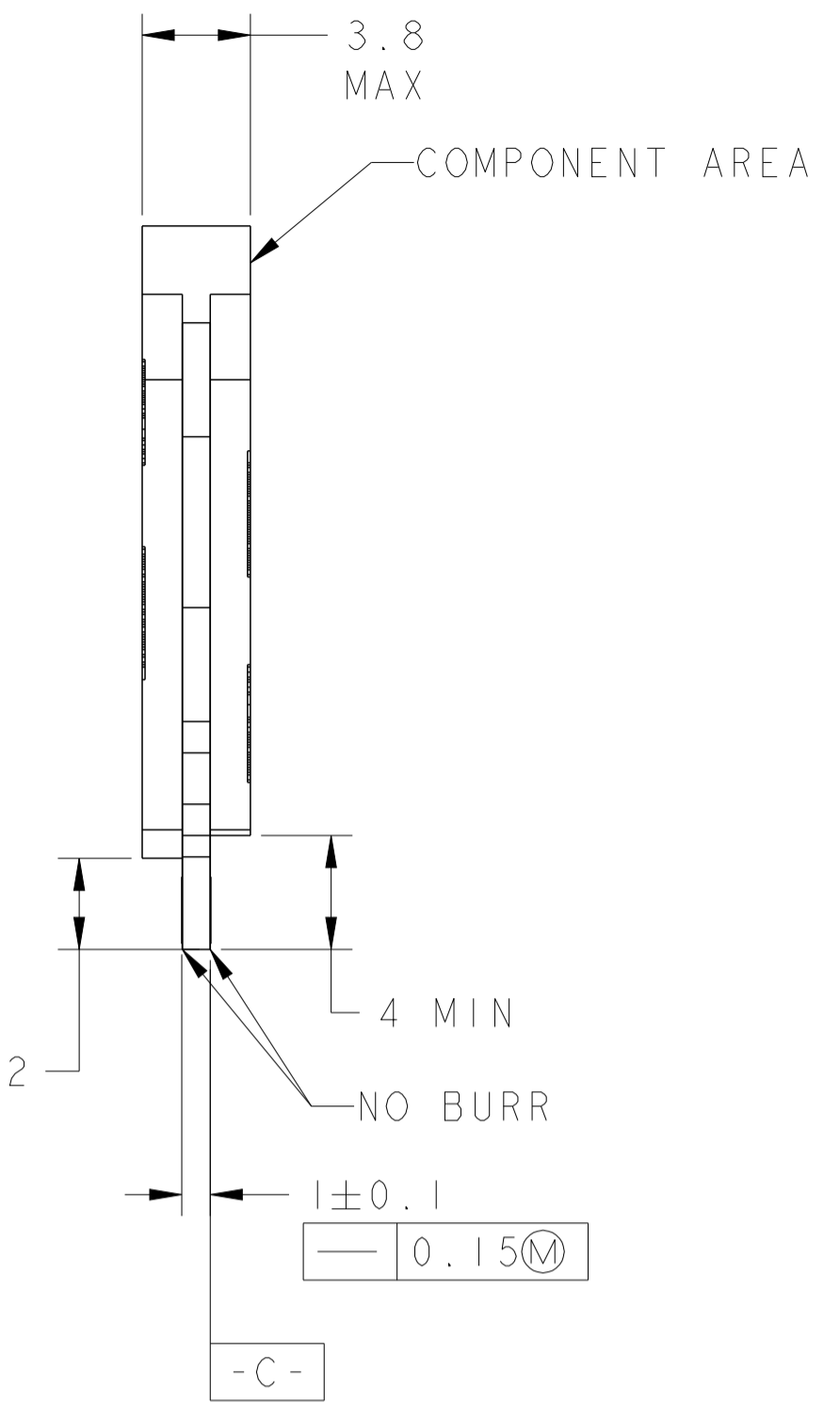
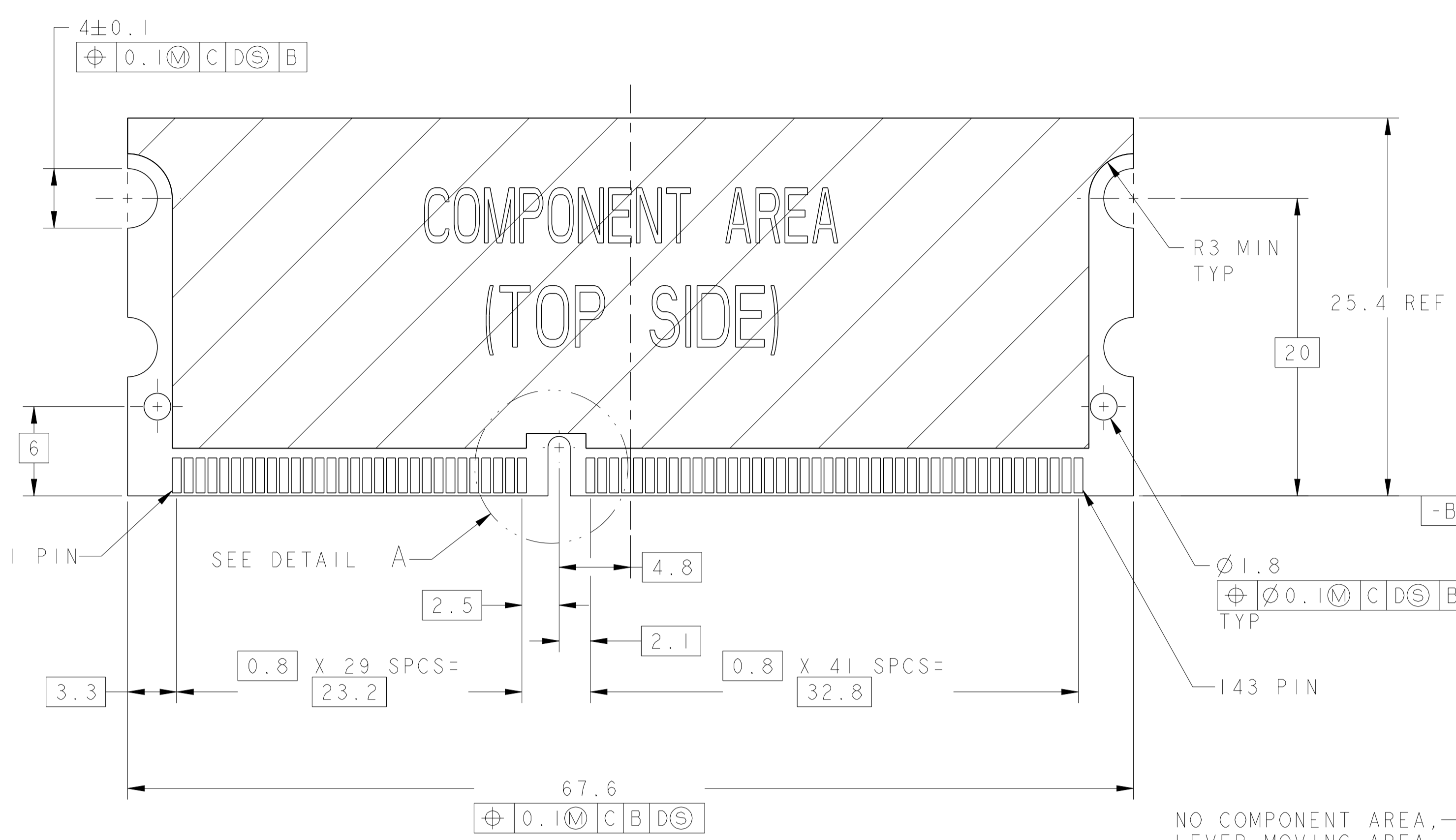
SECTION Y-Y
ROTATED 90° CCW
SCALE 8:1

- 1 MATERIAL, HIGH TEMPERATURE PLASTIC, UL94V-0
CONTACT: COPPER ALLOY
LATCH: STAINLESS STEEL, TIN PLATING.
- 2 FINISH; CONTACT AREA: 0.00025 MIN GOLD PLATE ON 0.001 MIN ALL OVER NICKEL
SOLDERING AREA: 0.00005 MIN TO 0.00030 MAX GOLD PLATE
- 3. TOLERANCES NON-ACCUMULATIVE.
- 4 PACKAGED IN HARD TRAY.
- 5 FINISH; CONTACT AREA: 0.00025 MIN GOLD PLATE ON 0.001 MIN ALL OVER NICKEL
SOLDERING AREA: BRIGHT TIN LEAD PLATE.
- 6 PART PACKAGED PER EIA-18704 STANDARD. REEL DIAMETER SHALL BE 330mm, TAPE WIDTH SHALL BE 88mm, AND TAPE PITCH SHALL BE 36mm.
- 7 LATCH PLATING: TIN-LEAD FOR P/N: 8-390112-1 ONLY (IDENTICAL TO PREVIOUS P/N: 390112-1)
- 8 DATE CODE (4-DIGITS), LOCATED AS SHOWN. TO BE INTERPRETED AS FOLLOWS:
DIGIT # 1 - LAST DIGIT OF YEAR.
DIGITS # 2 AND # 3 - CALENDAR WEEK.
DIGIT # 4 - DAY OF THE WEEK (WITH SUNDAYS AS DAY 1).

SUPERSEDED BY	REMARKS	COLOR	FINISH	POS	PART NO.
NIL	AVAILABLE	NATURAL	1	144	8-390112-1
NIL	AVAILABLE	BLACK	2	144	7-390112-1
NIL	AVAILABLE	NATURAL	2	144	6-390112-1
3-390112-1	NOT AVAILABLE	NATURAL	5	144	3-390112-4
NIL	AVAILABLE	NATURAL	2	144	3-390112-1
390112-1	NOT AVAILABLE	NATURAL	5	144	390112-4
NIL	AVAILABLE	NATURAL	2	144	390112-1

<small>THIS DRAWING IS A CONTROLLED DOCUMENT FOR AMP INCORPORATED AND IS SUBJECT TO CHANGE. AMP, THE CONTROLLED ENGINEERING ORGANIZATION SHOULD BE CONTACTED FOR THE LATEST REVISION.</small>		DWN: W. SORAH 6-23-97 CHK: ALAN ANG 01-21-02	TYCO ELECTRONICS SINGAPORE
DIMENSIONS: mm TOLERANCES UNLESS OTHERWISE SPECIFIED: 0 PLC ±0.2 1 PLC ±0.2 2 PLC ±0.2 3 PLC ±0.2 4 PLC ±0.2 ANGLES ±°	NAME: S.O. DIMM SOCKET ASSY, 0.8mm, 3.3V, 144 POSITION, HIGH PROFILE FOR SDRAM TYPE MODULE PRODUCT SPEC: 108-1739 APPLICATION SPEC: 114-1114	SIZE: A1 CAGE CODE: 00779 DRAWING NO: C=390112	RESTRICTED TO: - SCALE: 4:1 SHEET: 1 OF 2 REV: R
MATERIAL: SEE TABLE FINISH: SEE TABLE		WEIGHT: - CUSTOMER DRAWING	

LOC	DIST	REV	DATE	BY	CHKD	APPRD
2	-	1	-	-	-	-



<small>THIS DRAWING IS A CONTROLLED DOCUMENT FOR AMP INCORPORATED. ALL CHANGES TO THIS DRAWING MUST BE APPROVED BY THE ORIGINAL DESIGNING ORGANIZATION. ANY CHANGES MADE TO THIS DRAWING WITHOUT THE AUTHORITY OF THE ORIGINAL DESIGNING ORGANIZATION SHOULD BE CONTACTED FOR THE LATEST REVISION.</small>		DWN: W. SORAH 6-23-97 CHK: ALAN ANG 1-21-02 APVD: SE LEONG PRODUCT SPEC: 108-1739 APPLICATION SPEC: 114-1114 WEIGHT: - CUSTOMER DRAWING	TYCO ELECTRONICS SINGAPORE NAME: S.O. DIMM SOCKET ASSY, 0.8mm, 3.3V, 144 POSITION, HIGH PROFILE FOR SDRAM TYPE MODULE SIZE: A1 CAGE CODE: 00779 DRAWING NO: 390112 SCALE: 4:1 SHEET: 2 OF 2 REV: R
DIMENSIONS: mm TOLERANCES UNLESS OTHERWISE SPECIFIED: 0 PLC ±0.2 1 PLC ±0.2 2 PLC ±0.2 3 PLC ±0.2 4 PLC ±0.2 ANGLES: ° FINISH: SEE TABLE	MATERIAL: FINISH: SEE TABLE	RESTRICTED TO: -	SCALE: 4:1 SHEET: 2 OF 2 REV: R

X-ON Electronics

Largest Supplier of Electrical and Electronic Components

Click to view similar products for [DIMM Connectors](#) category:

Click to view products by [TE Connectivity](#) manufacturer:

Other Similar products are found below :

[1-1932649-2](#) [1-1761024-0](#) [2309411-5](#) [296409204002856+](#) [10116658-252ASLF](#) [5390471-1](#) [2309413-3](#) [78507-0061](#) [KIT-SODIMM-1X16GB/01](#) [10129206-0010013LF](#) [10086891-052TSLF](#) [10079192-11102LF](#) [10116658-152FSLF](#) [10129206-0011113LF](#) [1-2308107-0](#) [2013310-1](#) [2013289-1](#) [390111-1](#) [390112-1](#) [2309413-1](#) [2309407-1](#) [2309414-1](#) [10081530-12208LF](#) [151080-0001](#) [78726-1004](#) [10005639-11107LF](#) [10005639-11109LF](#) [10005639-12207LF](#) [10023061-10207LF](#) [10033853-252FSLF](#) [10033853-052ASLF](#) [10033853-052FSLF](#) [10033853-152FSLF](#) [10033854-052FSLF](#) [10034542-10002LF](#) [10037402-12207LF](#) [10081530-11107LF](#) [10081530-12207LF](#) [10081530-12218LF](#) [10124632-0030001LF](#) [10124806-01006LF](#) [10145891-0320J13LF](#) [10145226-0241N13LF](#) [59354-052FSLF](#) [59355-052FSLF](#) [DDR4288S0211TF](#) [DDR4288S0511H](#) [DDR4288S0511TF](#) [DDR4288V0123TF](#) [DDR4288V0213TF](#)