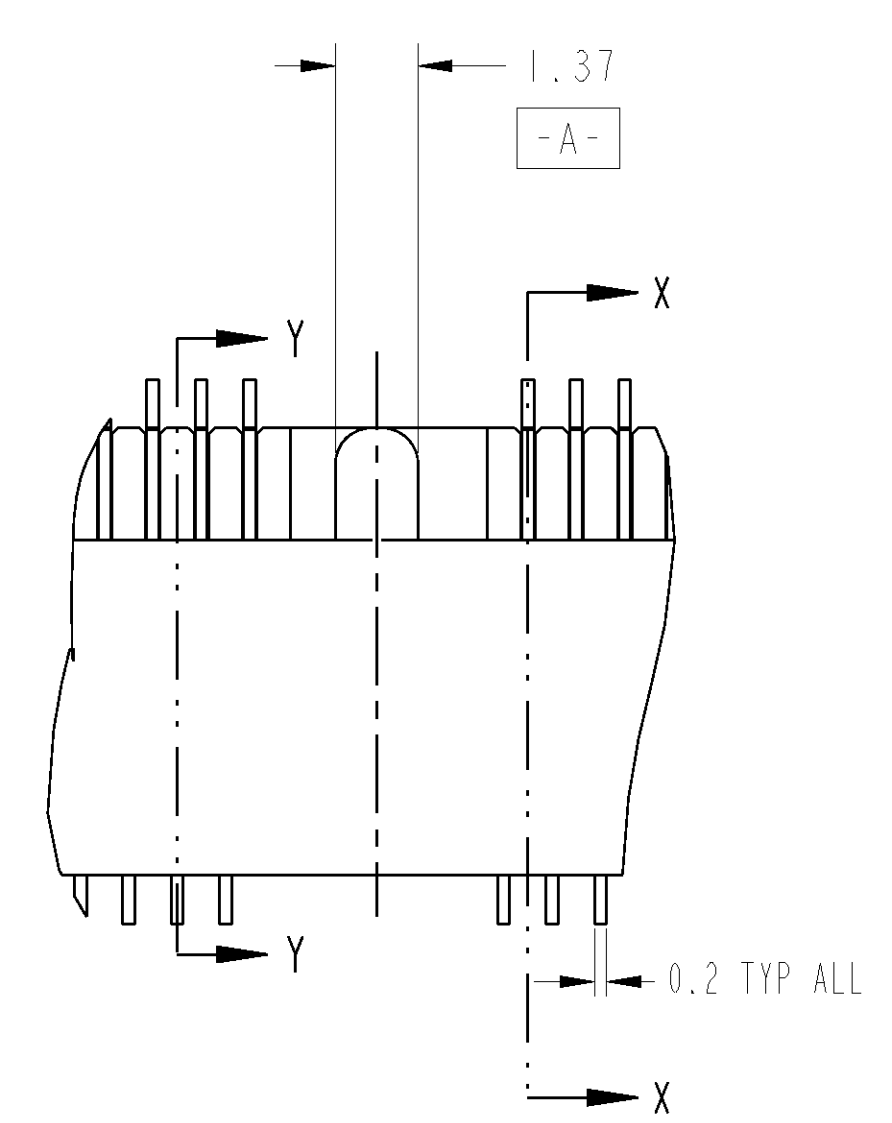
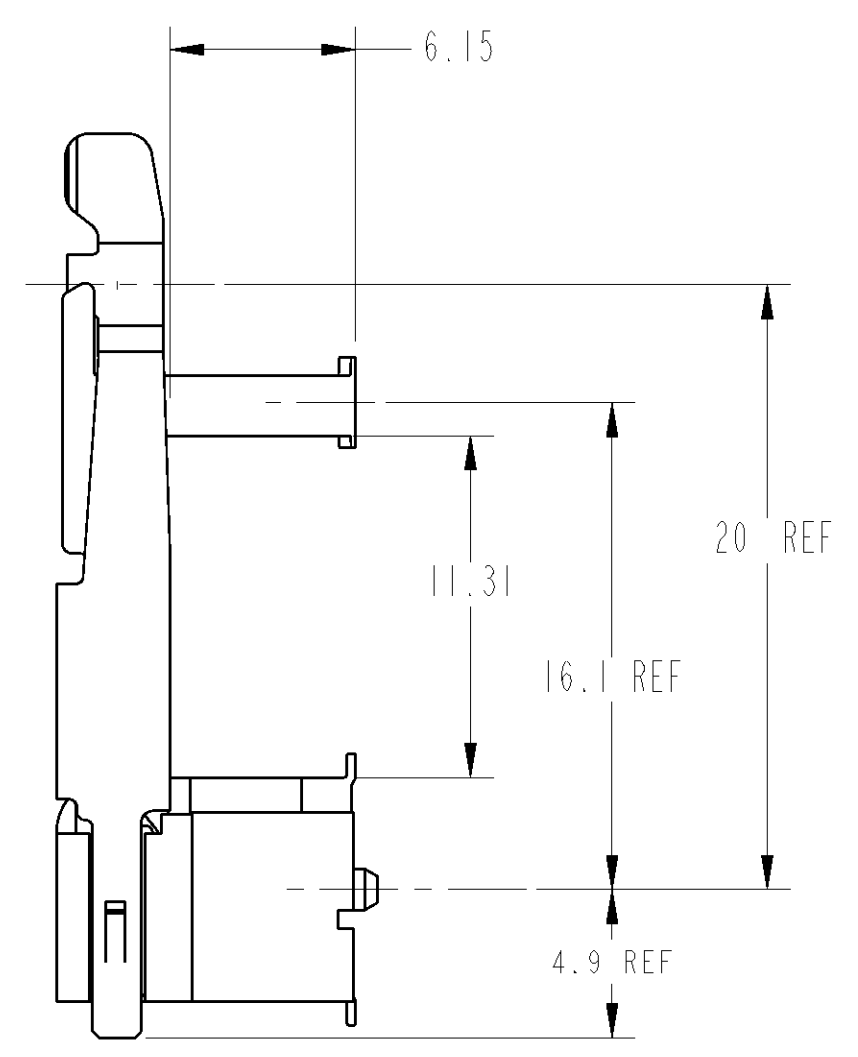
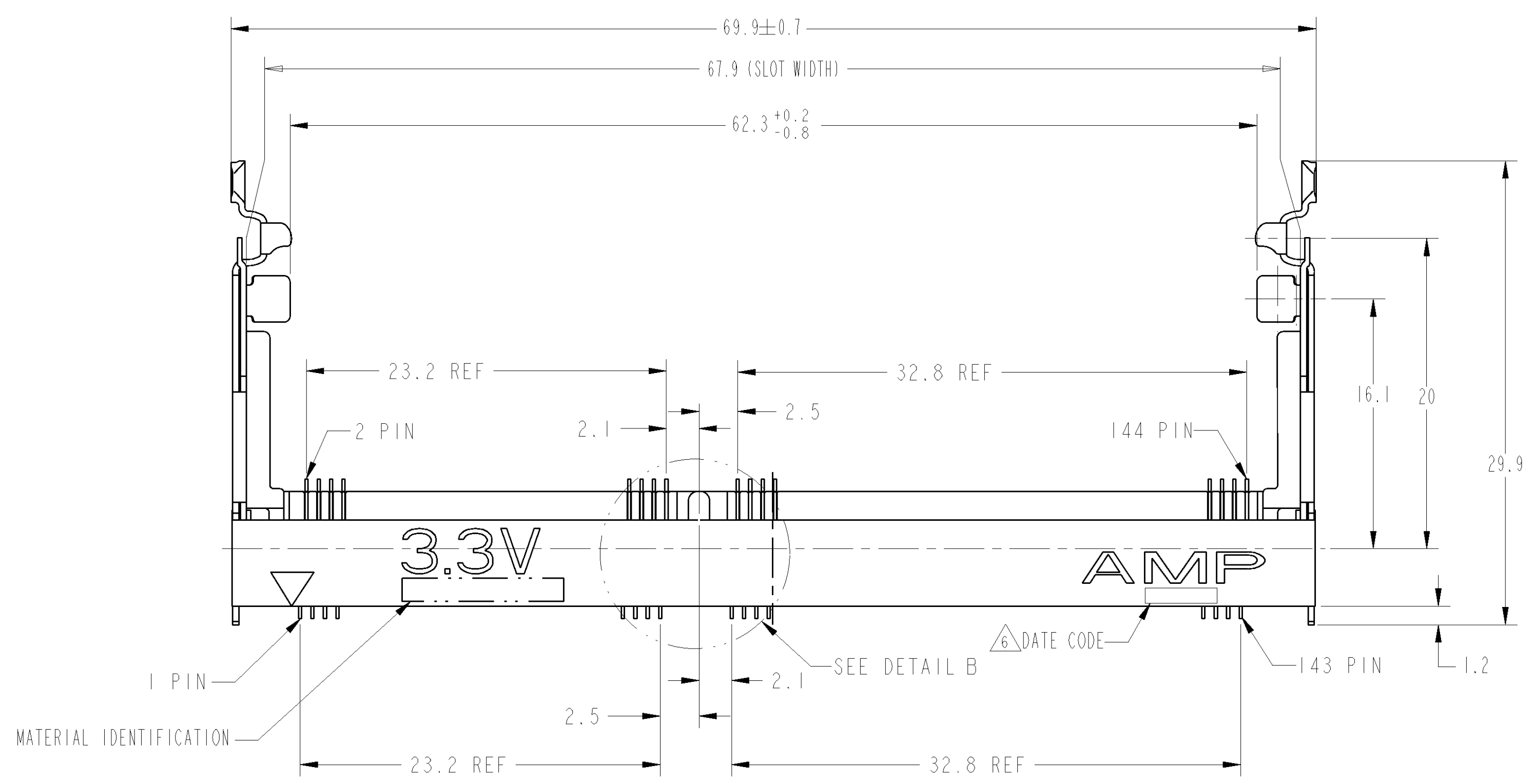
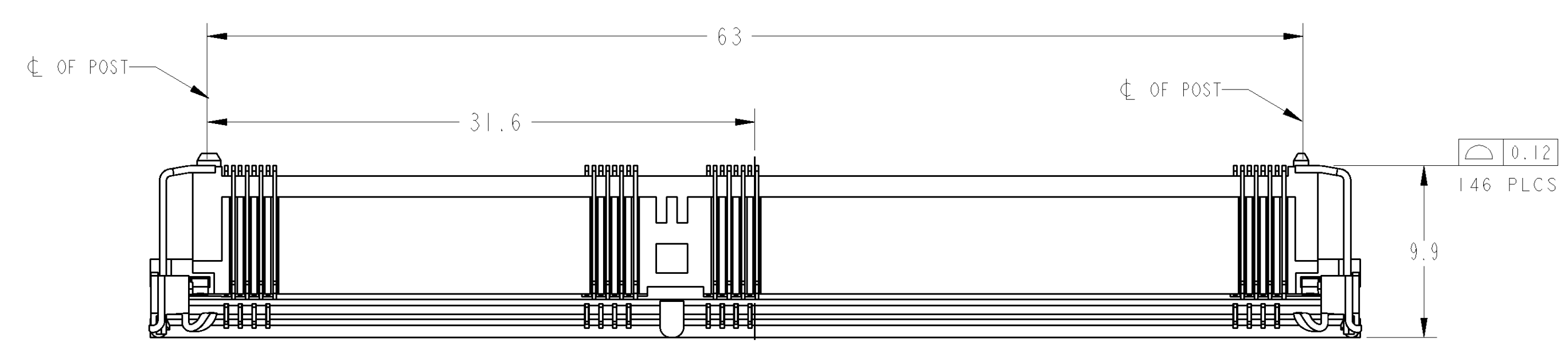
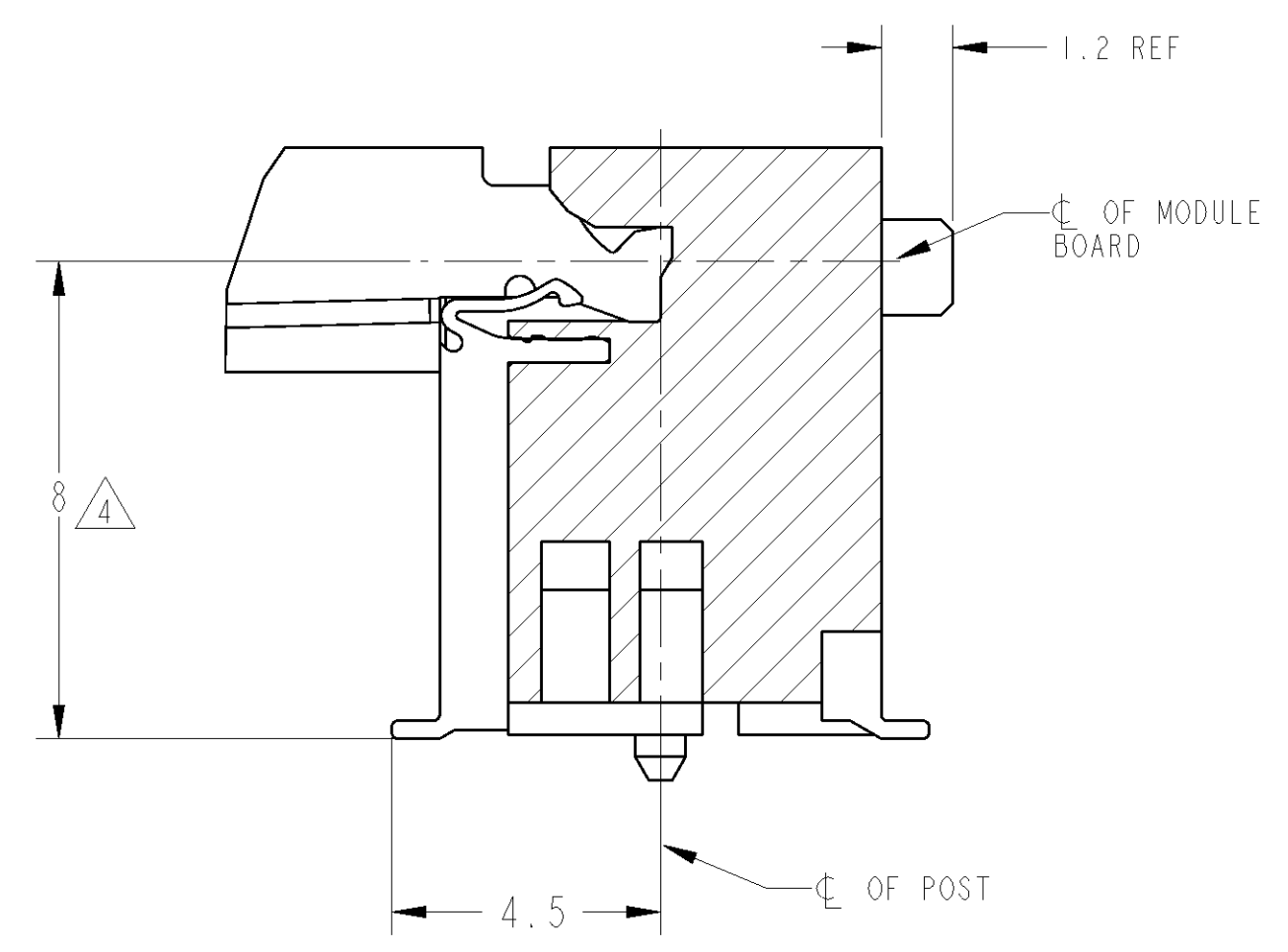


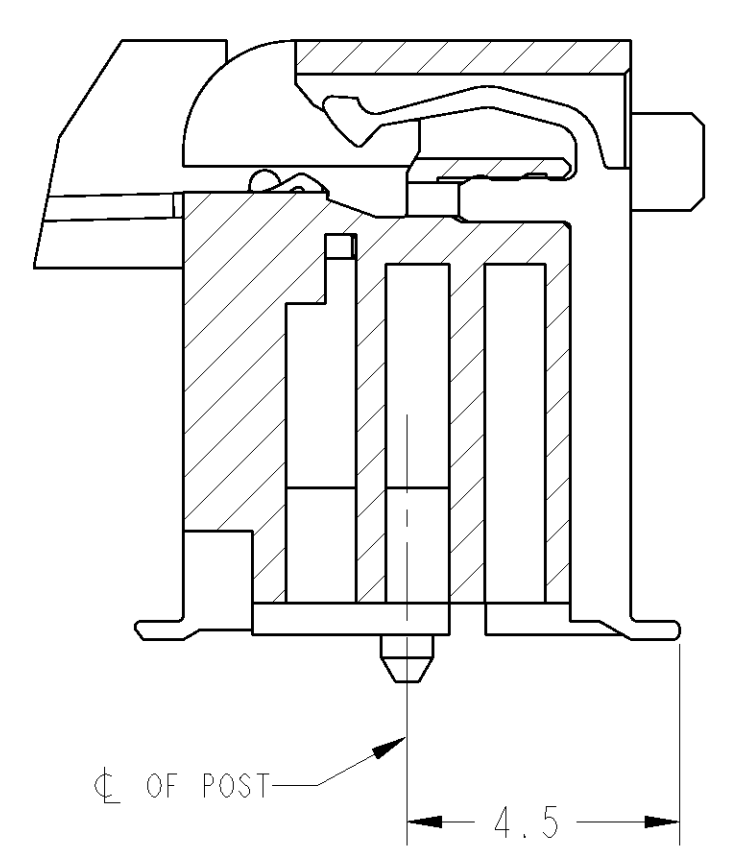
LOC	DIST	REVISONS			
F	LTR	DESCRIPTION	DATE	DMN	APFD
L1		REVISED PER ECO-11-005139	19MAR11	RK	HMR



DETAIL B
SCALE 8:1



SECTION X-X
SCALE 8:1
90° ROTATE



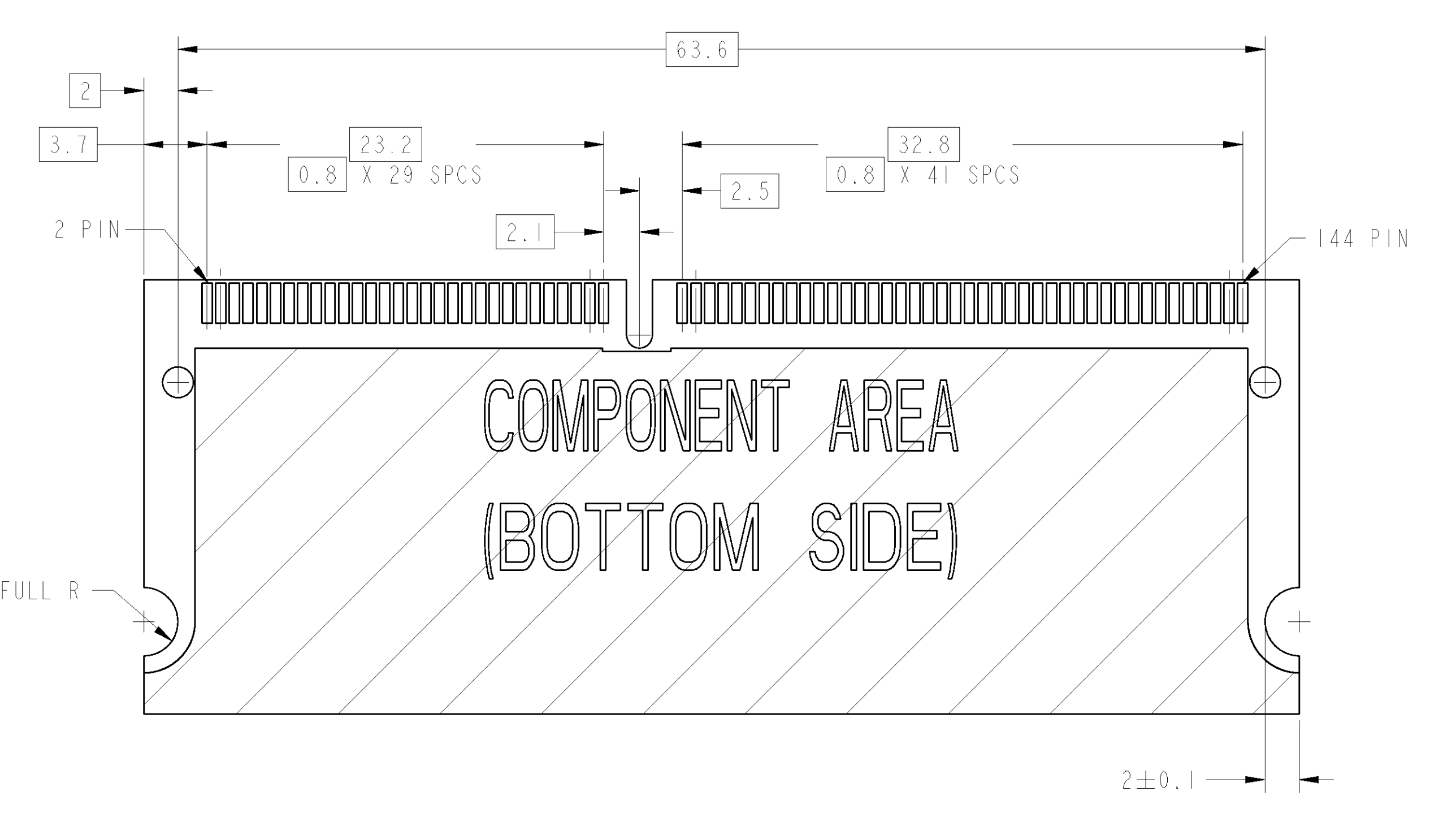
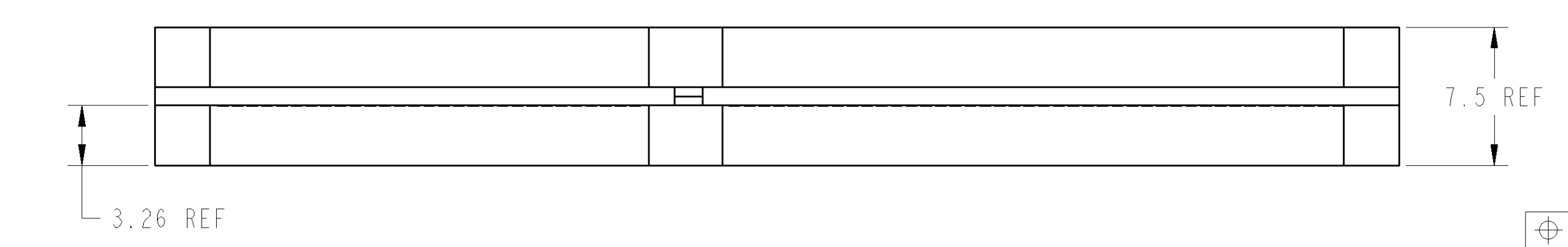
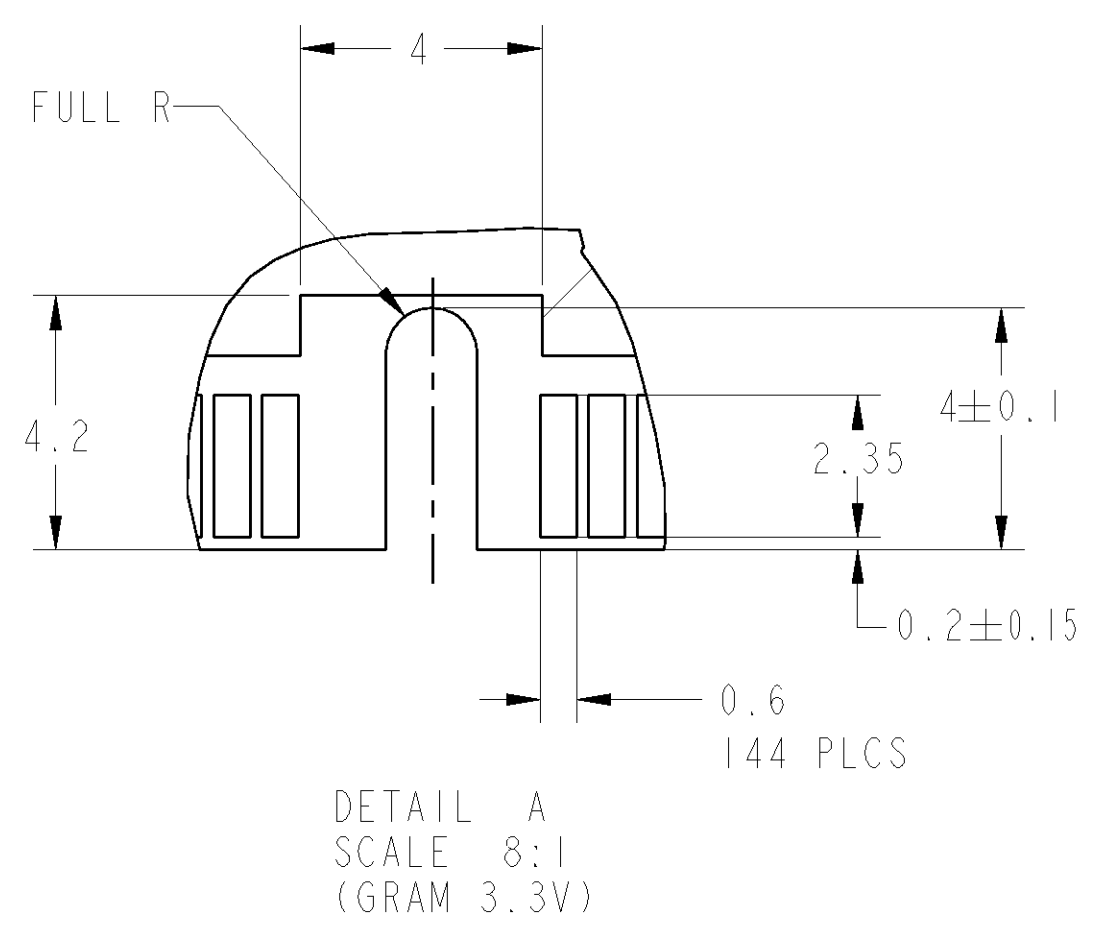
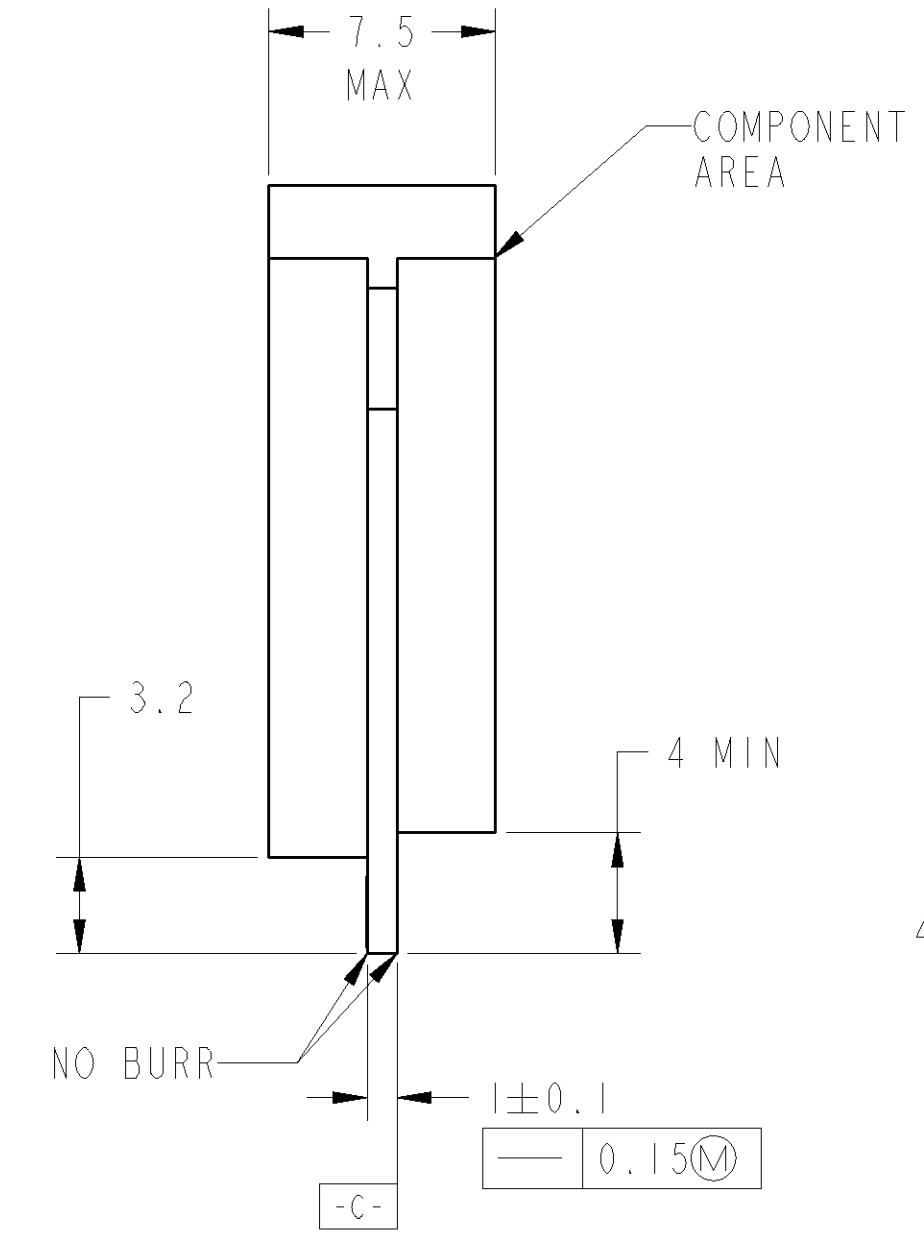
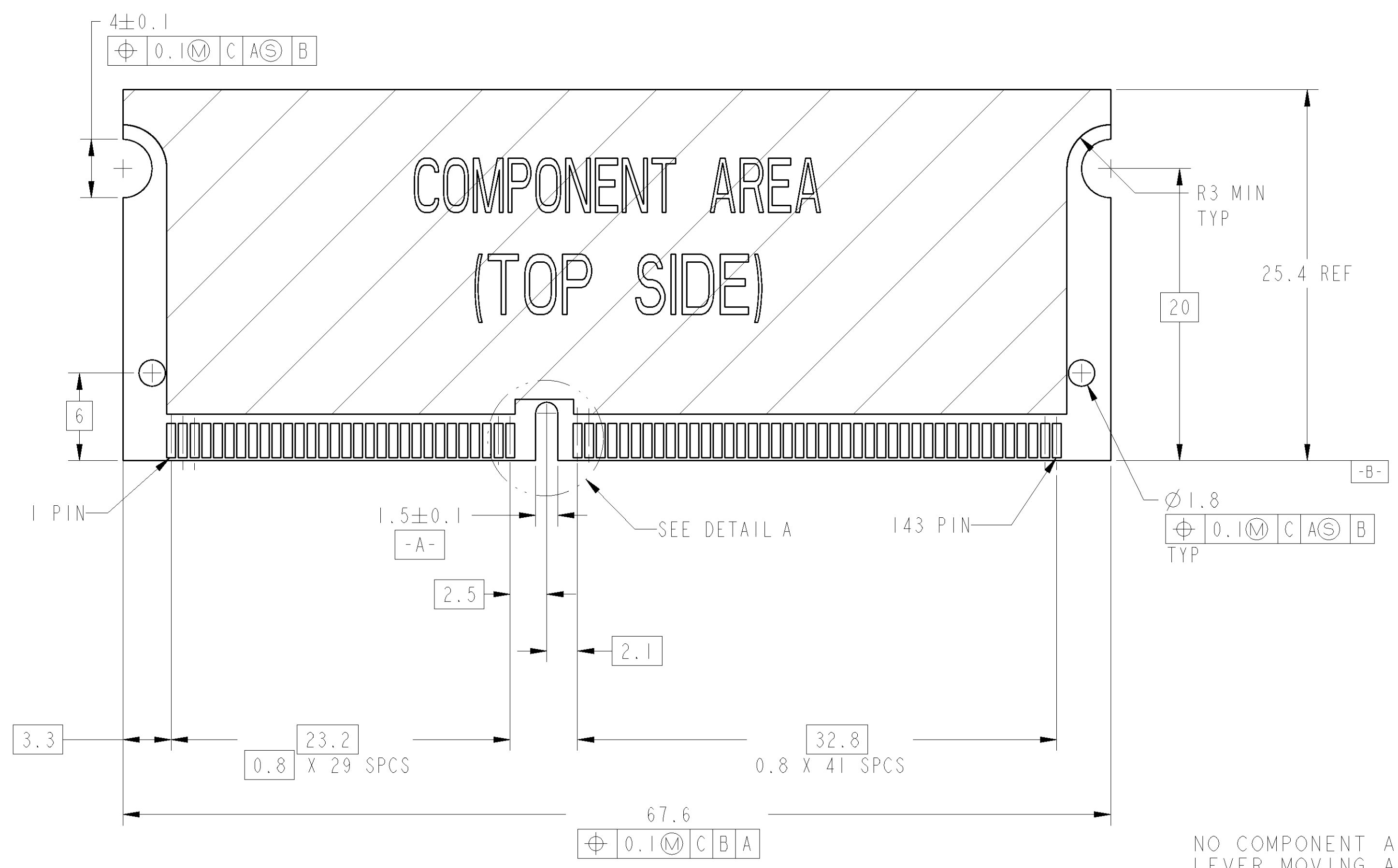
SECTION Y-Y
SCALE 8:1
90° ROTATE

- 1 MATERIAL, HOUSING, HIGH TEMP. PLASTIC, UL94V-0
CONTACT: COPPER ALLOY
LOCK LEVER: SUS301 TIN PLATING.
- 2 FINISH; CONTACT AREA: 0.00025 MIN GOLD PLT ON
0.001 MIN ALL OVER NICKEL
SOLDERING AREA: 0.00005 MIN TO 0.00030 MAX GOLD PLATE
- 3. TOLERANCES NON-ACCUMULATIVE.
- 4 DIMENSIONING TO MODULE CENTER LINE.
- 5 PART PACKAGING PER EIA-IS-704 STANDARD REEL
DIAMETER SHALL BE 330mm. TAPE WIDTH SHALL
BE 88mm AND TAPE PITCH SHALL BE 36mm
- 6 DATE CODE (4-DIGITS), LOCATED AS SHOWN.
TO BE INTERPRETED AS FOLLOWS:
DIGIT # 1 - LAST DIGIT OF YEAR.
DIGITS # 2 AND # 3 - CALENDAR WEEK.
DIGIT # 4 - DAY OF THE WEEK (WITH SUNDAYS AS DAY 1).

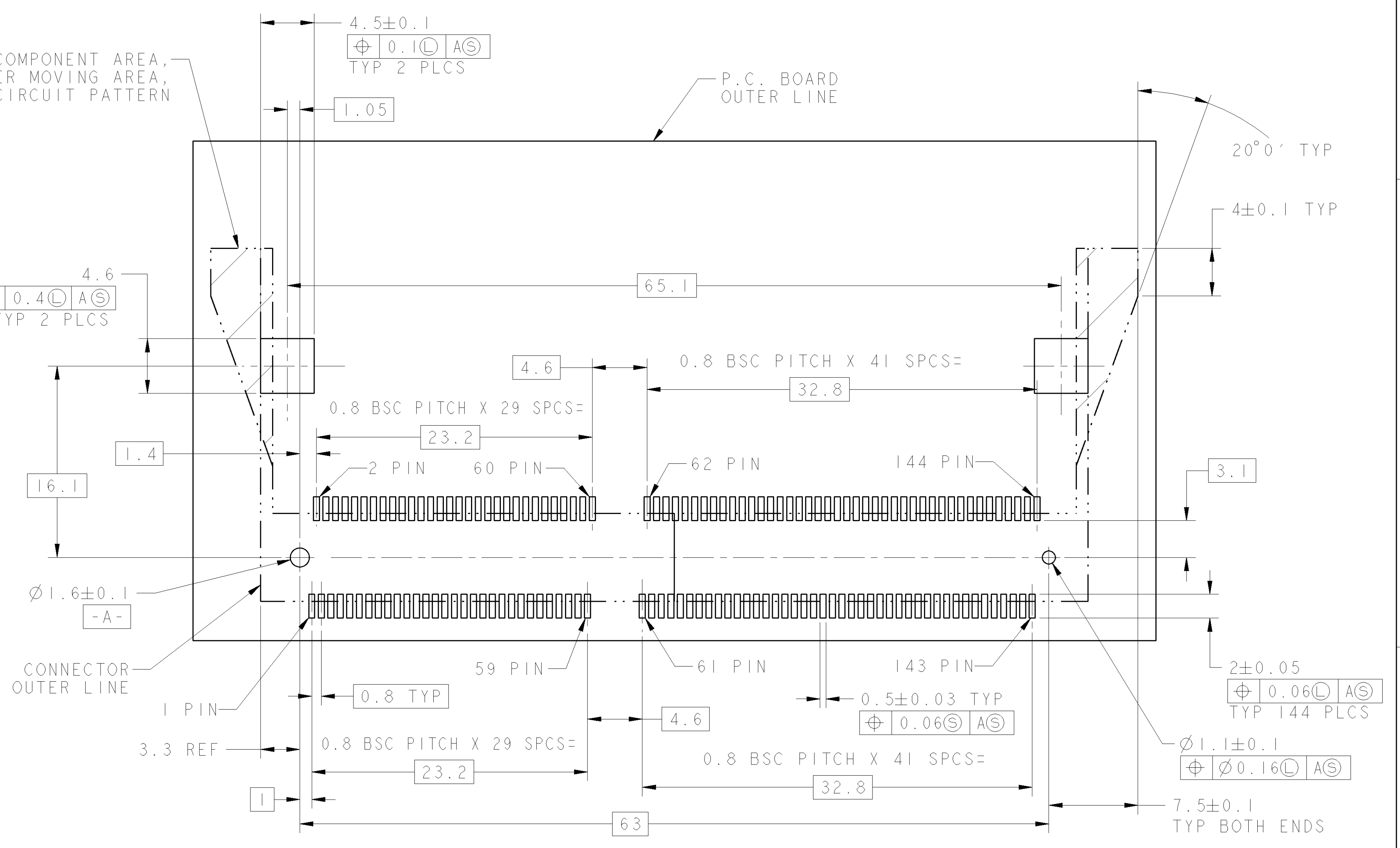
AVAILABLE	SDRAM 3.3V	144	6-390322-1	5
AVAILABLE	SDRAM 3.3V	144	390322-1	
REMARKS	POWER SUPPLY	POS	PART NUMBER	

DIMENSIONS:		TOLERANCES UNLESS OTHERWISE SPECIFIED:		DRAWN		DATE		REVISED	
mm	0 PLC	±		J. BURWELL	8NOV99				
	1 PLC	±0.2		K. KREIDLER	22JUL99				
	2 PLC	±0.2							
	3 PLC	±0.2							
	4 PLC	±							
	ANGLES	±							
MATERIAL	FINISH								
CUSTOMER DRAWING				SIZE	CAGE CODE	DRAWING NO			
				A1	00779	C=390322			
				SCALE	4:1	SHEET	1	OF	2
						REV			L1

LOC	DIST	REVISIONS			
DATE	BY	DESCRIPTION	DATE	BY	APPD
01	01	SEE SHEET 1			



NO COMPONENT AREA, LEVER MOVING AREA, ACCEPT CIRCUIT PATTERN



DIMENSIONS: mm		TOLERANCES UNLESS OTHERWISE SPECIFIED:		DRAWN: J. BURWELL 01FEB01		CHK: K. KREIDLER 23JUL99		APD: S. LEONG		NAME: S.O.DIMM SOCKET ASSY., 0.8mm PITCH 144 POS., 8mm PROFILE FOR SDRAM TYPE MODULE	
0 PLCS	±	1 PLCS	±0.2	2 PLCS	±0.2	3 PLCS	±0.2	4 PLCS	±	ANGLES	°
MATERIAL		FINISH		WEIGHT		SIZE	CAGE CODE	DRAWING NO.	SCALE	SHEET	REV
						A1	00779	C=390322	4:1	2	2
CUSTOMER DRAWING				SCALE: 4:1		SHEET: 2 OF 2		REV: L1			

X-ON Electronics

Largest Supplier of Electrical and Electronic Components

Click to view similar products for [DIMM Connectors](#) category:

Click to view products by [TE Connectivity](#) manufacturer:

Other Similar products are found below :

[1-1932649-2](#) [1-1761024-0](#) [2309411-5](#) [296409204002856+](#) [10116658-252ASLF](#) [5390471-1](#) [2309413-3](#) [78507-0061](#) [KIT-SODIMM-1X16GB/01](#) [10129206-0010013LF](#) [10086891-052TSLF](#) [10079192-11102LF](#) [10116658-152FSLF](#) [10129206-0011113LF](#) [1-2308107-0](#) [2013310-1](#) [2013289-1](#) [390111-1](#) [390112-1](#) [2309413-1](#) [2309407-1](#) [2309414-1](#) [10081530-12208LF](#) [151080-0001](#) [78726-1004](#) [10005639-11107LF](#) [10005639-11109LF](#) [10005639-12207LF](#) [10023061-10207LF](#) [10033853-252FSLF](#) [10033853-052ASLF](#) [10033853-052FSLF](#) [10033853-152FSLF](#) [10033854-052FSLF](#) [10034542-10002LF](#) [10037402-12207LF](#) [10081530-11107LF](#) [10081530-12207LF](#) [10081530-12218LF](#) [10081530-12228LF](#) [10124632-0030001LF](#) [10124806-01006LF](#) [10145226-0241N13LF](#) [59354-052FSLF](#) [59355-052FSLF](#) [DDR4288S0211TF](#) [DDR4288S0511H](#) [DDR4288S0511TF](#) [DDR4288V0123TF](#) [DDR4288V0213TF](#)