

THIS DRAWING IS UNPUBLISHED.

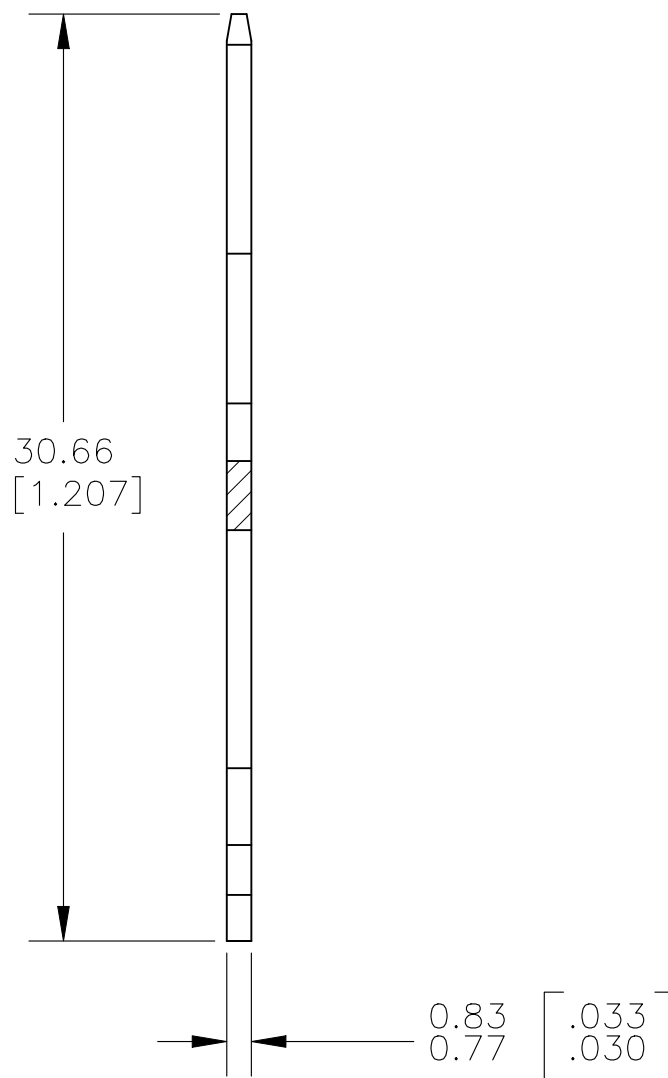
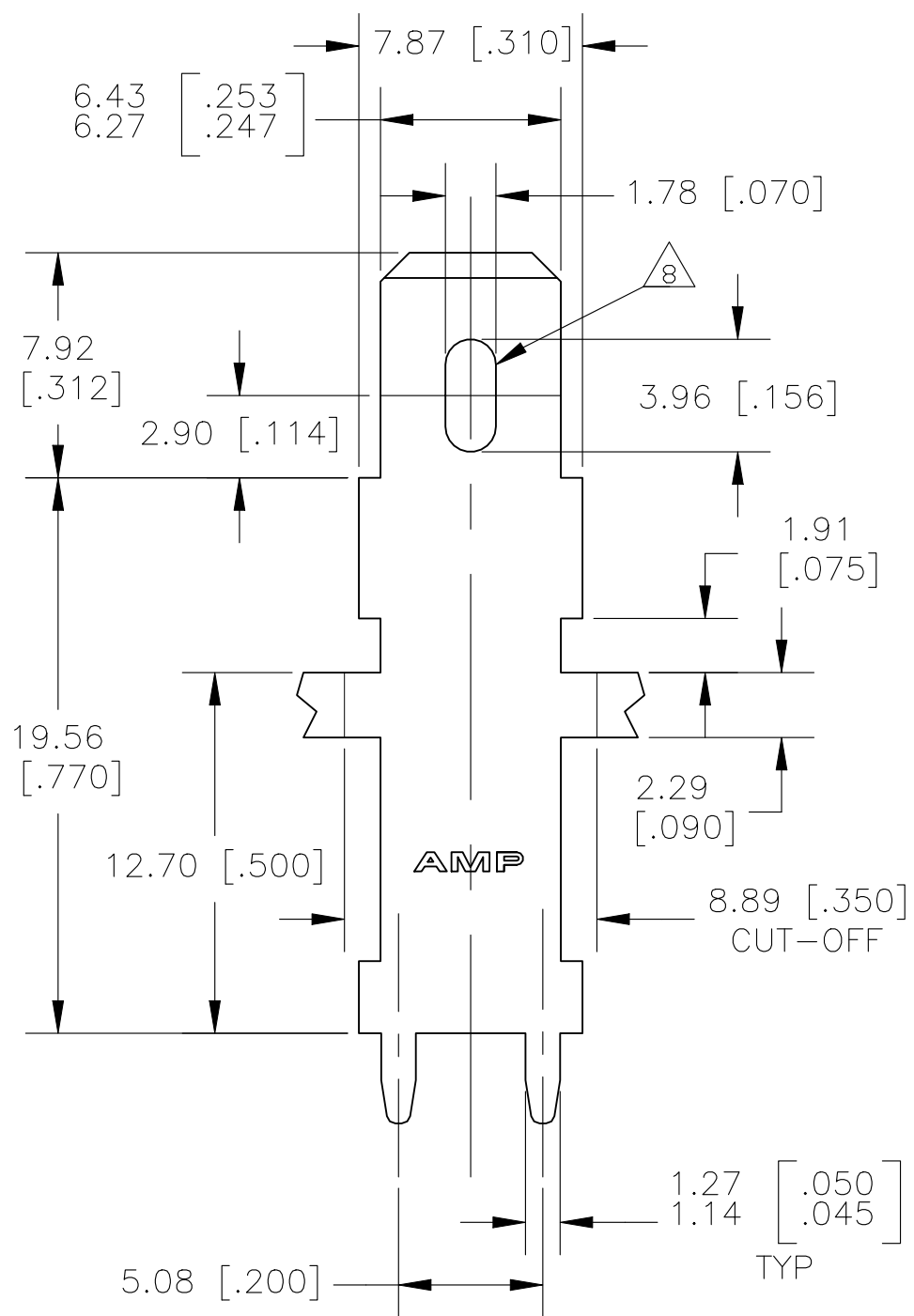
RELEASED FOR PUBLICATION

ALL RIGHTS RESERVED.

© COPYRIGHT - By -

REVISIONS

P	LTR	DESCRIPTION	DATE	DWN	APVD
	H3	REVISED PER ECR-21-100983	19MAR2021	PC	AF
	H4	REVISED PER ECR-21-104641	18AUG2021	BDA	AF



- 1 CONTINUOUS STRIP ON REELS.
- 2 FEED IS 8.89±0.076 [.350±.003].
- 3 0.00381 [.000150] MIN TIN OVER 0.00127 [.000050] MIN NICKEL.
- 4 REELED WITH INTERLEAVING PAPER.
- 5 PRELIMINARY - NOT FOR PRODUCTION.
- 6 LOOSE PIECE STYLE.
- 7 PRE PRODCUTION,FASR NEEDED.
- 8 HOLE IS REMOVED FOR PART NUMBER 63950-6.
- 9 TERMINAL UNMATING MAY BE LOWER THAN UL 310 SPECIFICATION VALUES WITH SOME MATING FASTON RECEPTACLES DUE TO NO HOLE FEATURE BEING PRESENT.

8	9	BRASS	63950-6
	6	BRASS	63950-4
	4	BRASS	63950-3
		BRASS	63950-2
		BRASS	63950-1
		MATERIAL	PART NUMBER

THIS DRAWING IS A CONTROLLED DOCUMENT.		DWN JR RUTH 05DEC2000	TE Connectivity					
DIMENSIONS: MM [INCHES]		CHK MS FEHER 05DEC2000				NAME		
TOLERANCES UNLESS OTHERWISE SPECIFIED:		APVD G PORTA 05DEC2000	TAB, FASTON, P.C. BOARD, 6.35 [.250] SERIES					
0 PLC ± - 1 PLC ± - 2 PLC ± 0.25 [.010] 3 PLC ± - 4 PLC ± - ANGLES ± -		PRODUCT SPEC -	APPLICATION SPEC 114-2115	SIZE A3	CAGE CODE 00779	DRAWING NO C-63950	RESTRICTED TO -	
MATERIAL SEE TABLE		FINISH 3	WEIGHT -	CUSTOMER DRAWING		SCALE 4:1	SHEET 1 OF 2	REV H4

THIS DRAWING IS UNPUBLISHED.

RELEASED FOR PUBLICATION

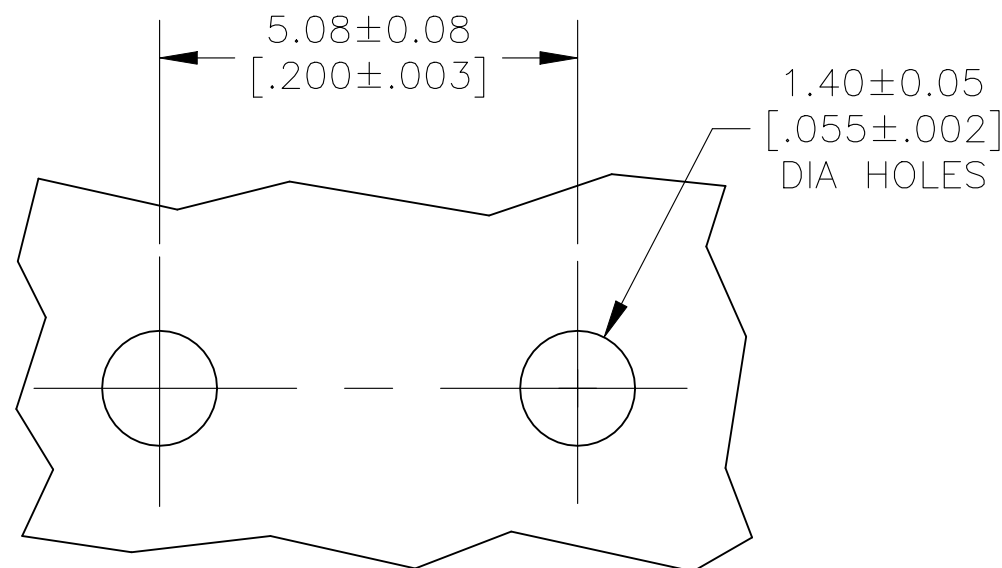
-, - .

© COPYRIGHT - By -


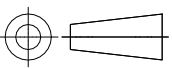
ALL RIGHTS RESERVED.

REVISIONS

P	LTR	DESCRIPTION	DATE	DWN	APVD
-	-	SEE SHEET 1	-	-	-



P.C.BOARD HOLES  
SCALE 10:1

THIS DRAWING IS A CONTROLLED DOCUMENT.		DWN JR RUTH 05DEC2000	 <b>TE Connectivity</b>			
DIMENSIONS: MM [INCHES]		CHK MS FEHER 05DEC2000				NAME
		APVD G PORTA 05DEC2000	TAB, FASTON, P.C. BOARD, 6.35 [.250] SERIES			
TOLERANCES UNLESS OTHERWISE SPECIFIED: 0 PLC ± - 1 PLC ± - 2 PLC ± 0.25 [.010] 3 PLC ± - 4 PLC ± - ANGLES ± -		PRODUCT SPEC -	RESTRICTED TO			
MATERIAL SEE TABLE		FINISH -	APPLICATION SPEC 114-2115	SIZE A3	CAGE CODE 00779	DRAWING NO C-63950
CUSTOMER DRAWING			WEIGHT -	SCALE 4:1	SHEET 2 OF 2	REV H4

## X-ON Electronics

Largest Supplier of Electrical and Electronic Components

*Click to view similar products for [Terminals](#) category:*

*Click to view products by [TE Connectivity](#) manufacturer:*

Other Similar products are found below :

[00-054007-01074-6](#) [00-054007-70206-1](#) [00-054007-70210-8](#) [00-054007-70217-7](#) [00-054007-70226-9](#) [00-054007-70228-3](#) [00-054007-70248-1](#) [00-054007-70256-6](#) [00-054007-70301-3](#) [00-054007-70316-7](#) [00-054007-49560-4](#) [00-054007-70209-2](#) [00-054007-70225-2](#) [00-054007-70227-6](#) [00-054007-70231-3](#) [00-054007-70241-2](#) [00-054007-70242-9](#) [00-054007-70244-3](#) [00-054007-70246-7](#) [00-054007-70263-4](#) [00-054007-70288-7](#) [00-054007-70290-0](#) [00-054007-70300-6](#) [00-054007-70304-4](#) [01-2065-1-0216](#) [01-2900-1-04412](#) [00581P0075](#) [600TS-10](#) [60205-1](#) [604200-1](#) [605601-1](#) [60598-1-CUT-TAPE](#) [61314-6-C](#) [61810-3](#) [61-S](#) [61-SN](#) [626-0194](#) [62-NBM-A](#) [62-SN](#) [62-SP](#) [63-S](#) [640179-1](#) [M55155/059I03](#) [M55155/079C01](#) [M55155/099H02](#) [M55155/109H01](#) [M55155/109H02](#) [M55155/12XH05](#) [M55155/16XH02](#) [M55155/29-5S](#)