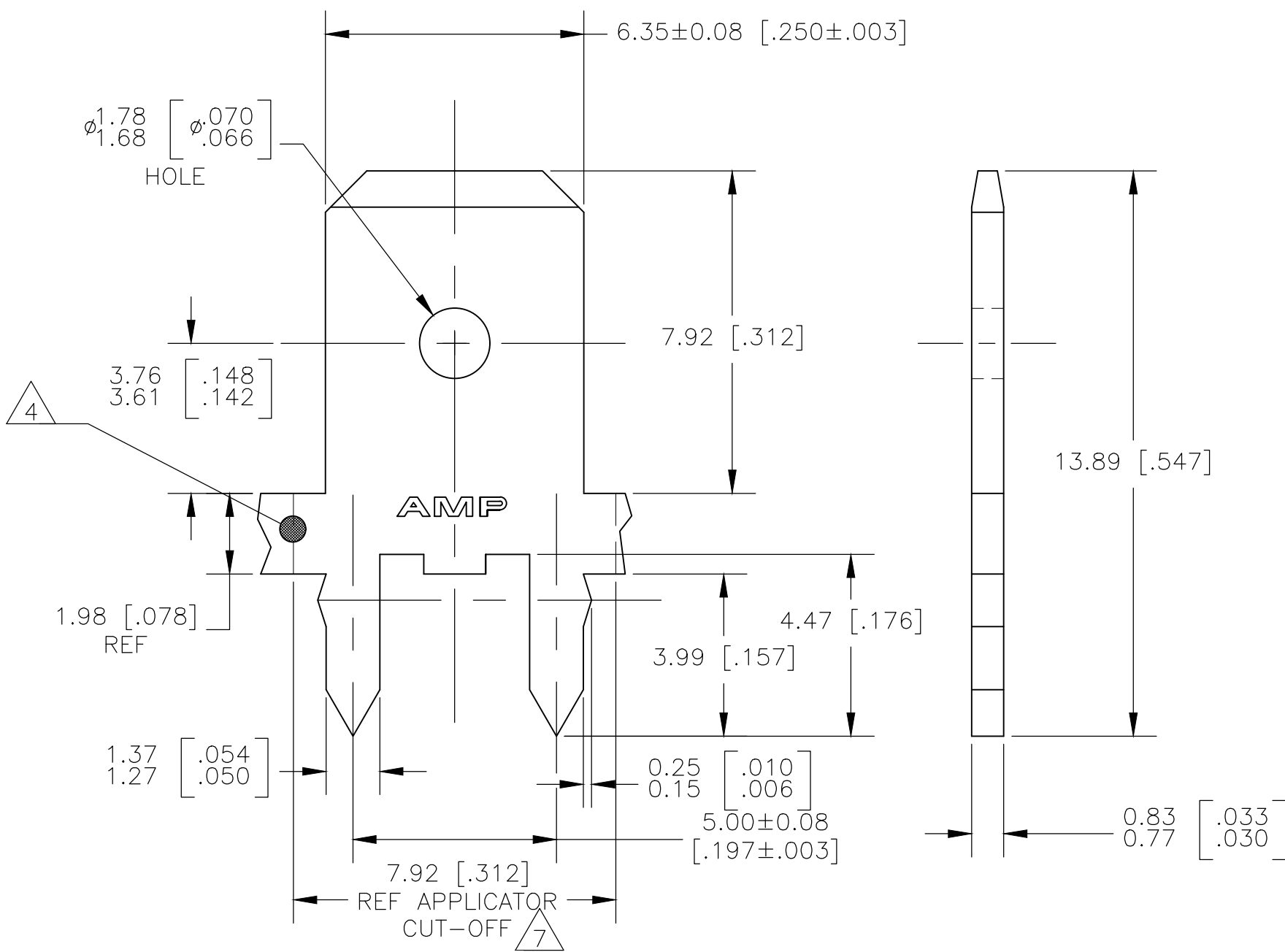
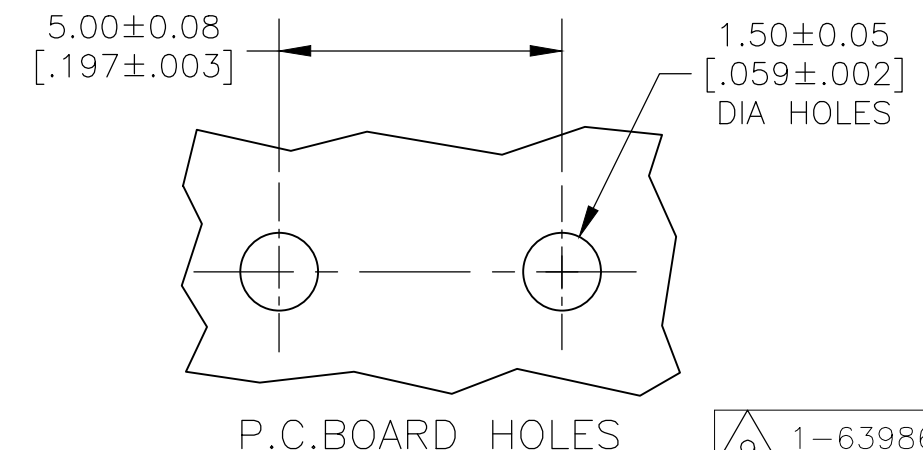


THIS DRAWING IS UNPUBLISHED. RELEASED FOR PUBLICATION
 © COPYRIGHT - By - ALL RIGHTS RESERVED.

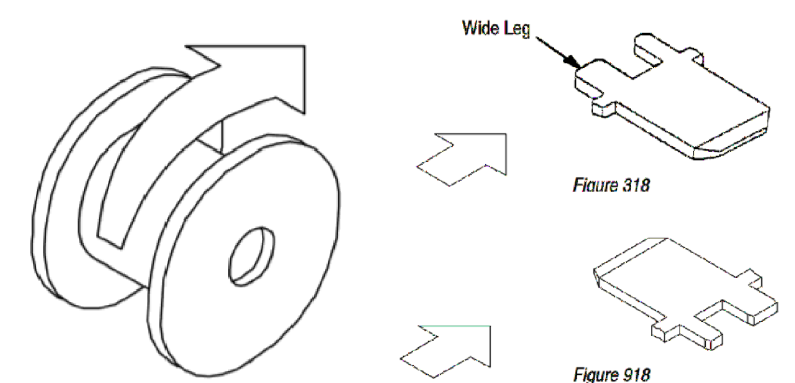
LOC	DIST	REVISIONS			
P	LTR	DESCRIPTION	DATE	DWN	APVD
AF	50	H3	REVISED PER ECR-19-014862	25SEP2019	LZ TD



- 1 CONTINUOUS STRIP ON REELS.
- △2 TIN PLATE 0.00381 [.000150] MIN OVER 0.00254 [.000100] MIN THK COPPER OR TIN PLATE 0.00381 [.000150] MIN OVER 0.00127 [.000050] MIN THK NICKEL.
- 3 FEED IS 7.92±0.076 [.312±.003]
- △4 OPTIONAL ID MARK, LOCATION APPROX AS SHOWN.
- △5 REELED WITH INTERLEAVING PAPER.
- △6 LOOSE PIECE
- △7 LOOSE PIECE CUT-OFF DIMENSION
- △8 REEL PULL DIRECTUON REF TO FIGURE 318.
- △9 REEL PULL DIRECTUON REF TO FIGURE 918.



△9	1-63986-1
△6	63986-4
△5	63986-3
△8	63986-1
PART NUMBER	



DIMENSIONS:		TOLERANCES UNLESS OTHERWISE SPECIFIED:		DWN		TE Connectivity	
mm	[INCHES]	PLC	ANGLES	CHK	APVD	NAME	RESTRICTED TO
		0 PLC		JR RUTH	G PORTA	TAB, FASTON, PC BOARD, 6.35 [.250] SERIES	
		1 PLC		MS FEHER	PRODUCT SPEC		
		2 PLC	± 0.25 [.010]		APPLICATION SPEC	114-2115	
		3 PLC			WEIGHT	A3 00779 C=63986	
		4 PLC					
		ANGLES	± -				
MATERIAL	FINISH			CUSTOMER DRAWING		SCALE	SHEET
BRASS	△2					8:1	1 of 1
						REV	H3

X-ON Electronics

Largest Supplier of Electrical and Electronic Components

Click to view similar products for [Terminals](#) category:

Click to view products by [TE Connectivity](#) manufacturer:

Other Similar products are found below :

[00-054007-01074-6](#) [00-054007-70206-1](#) [00-054007-70210-8](#) [00-054007-70217-7](#) [00-054007-70226-9](#) [00-054007-70228-3](#) [00-054007-70248-1](#) [00-054007-70256-6](#) [00-054007-70301-3](#) [00-054007-70316-7](#) [0-0320562-0](#) [00-054007-49560-4](#) [00-054007-70209-2](#) [00-054007-70225-2](#) [00-054007-70227-6](#) [00-054007-70231-3](#) [00-054007-70241-2](#) [00-054007-70242-9](#) [00-054007-70244-3](#) [00-054007-70246-7](#) [00-054007-70263-4](#) [00-054007-70288-7](#) [00-054007-70290-0](#) [00-054007-70300-6](#) [00-054007-70304-4](#) [01-2065-1-0216](#) [01-2900-1-04412](#) [00581P0075](#) [600TS-10](#) [60205-1](#) [604200-1](#) [605601-1](#) [60598-1-CUT-TAPE](#) [61314-6-C](#) [61810-3](#) [61-S](#) [61-SN](#) [626-0194](#) [62-NBM-A](#) [62-SN](#) [62-SP](#) [63-S](#) [640179-1](#) [M55155/059I03](#) [M55155/079C01](#) [M55155/099H02](#) [M55155/109H01](#) [M55155/109H02](#) [M55155/12XH05](#) [M55155/16XH02](#)