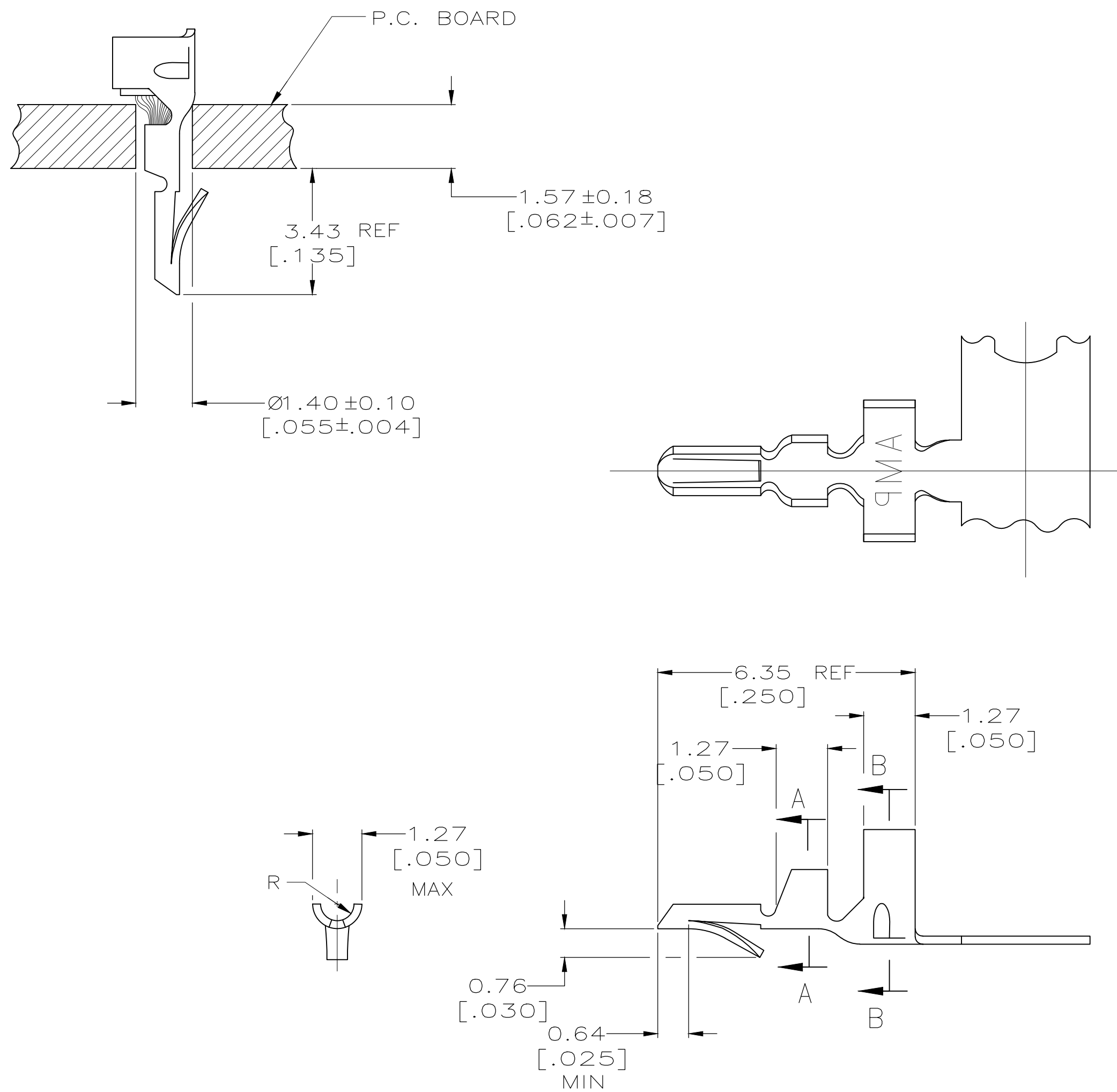
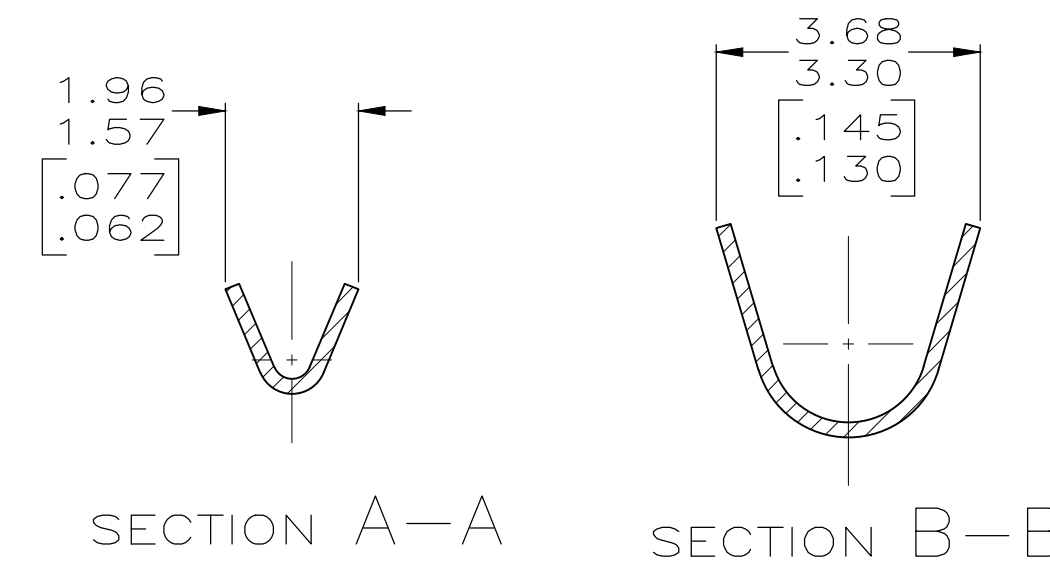


THIS DRAWING IS UNPUBLISHED. RELEASED FOR PUBLICATION
 © COPYRIGHT - By - ALL RIGHTS RESERVED.

REVISIONS				
P	LTR	DESCRIPTION	DATE	APVD
N3		REVISED PER ECR-19-008948	13MAY20	J.P D.Z



- PARTS COMPLY WITH AMP SOLDERABILITY SPEC 109-11-3.
- PARTS CAPABLE OF BEING APPLIED BY AMPOMATOR.
- WIRE RANGE: 0.12-0.4mm² (26-22 AWG).
- INSULATION RANGE: 1.52-2.54 [.060-.100] DIA
- △ 0.00508 [.000200] MIN BRIGHT TIN-LEAD.
- DIMENSIONS IN BRACKETS ARE IN INCHES.
- △ 0.00508 [.000200] MIN BRIGHT TIN.



	△	0.20[.008] PHOS BRONZE	3-640108-1
SUPERSEDED BY 3-640108-1	△	0.20[.008] PHOS BRONZE	640108-1
	FINISH	MATERIAL	PART NO.

METRIC

THIS DRAWING IS A CONTROLLED DOCUMENT.		DWN S. CARPENTER 21AUG2003	STE TE Connectivity	
DIMENSIONS: INCHES		CHK J. ELLIS 21AUG2003		
TOLERANCES UNLESS OTHERWISE SPECIFIED:		APVD J. ELLIS 21AUG2003	NAME MINI AMP-IN	
0 PLC ±		PRODUCT SPEC	SIZE CAGE CODE DRAWING NO	
1 PLC ±		APPLICATION SPEC	RESTRICTED TO	
2 PLC ± 0.13 [.005]		114-1016	A2 00779 C-640108	
3 PLC ±		WEIGHT 0.000000	SCALE 10:1 SHEET 1 OF 1	
4 PLC ±		CUSTOMER DRAWING	REV N3	
ANGLES ±				
FINISH				
SEE TABLE				

X-ON Electronics

Largest Supplier of Electrical and Electronic Components

Click to view similar products for [Terminals](#) category:

Click to view products by [TE Connectivity](#) manufacturer:

Other Similar products are found below :

[00-054007-01074-6](#) [00-054007-70206-1](#) [00-054007-70210-8](#) [00-054007-70217-7](#) [00-054007-70226-9](#) [00-054007-70228-3](#) [00-054007-70248-1](#) [00-054007-70256-6](#) [00-054007-70301-3](#) [00-054007-70316-7](#) [0-0320562-0](#) [00-054007-49560-4](#) [00-054007-70209-2](#) [00-054007-70225-2](#) [00-054007-70227-6](#) [00-054007-70231-3](#) [00-054007-70241-2](#) [00-054007-70242-9](#) [00-054007-70244-3](#) [00-054007-70246-7](#) [00-054007-70263-4](#) [00-054007-70288-7](#) [00-054007-70290-0](#) [00-054007-70300-6](#) [00-054007-70304-4](#) [01-2065-1-0216](#) [01-2900-1-04412](#) [00581P0075](#) [600TS-10](#) [60205-1](#) [604200-1](#) [605601-1](#) [60598-1-CUT-TAPE](#) [61314-6-C](#) [61810-3](#) [61-S](#) [61-SN](#) [626-0194](#) [62-NBM-A](#) [62-SN](#) [62-SP](#) [63-S](#) [640179-1](#) [M55155/059I03](#) [M55155/079C01](#) [M55155/099H02](#) [M55155/109H01](#) [M55155/109H02](#) [M55155/12XH05](#) [M55155/16XH02](#)