

THIS DRAWING IS UNPUBLISHED. RELEASED FOR PUBLICATION

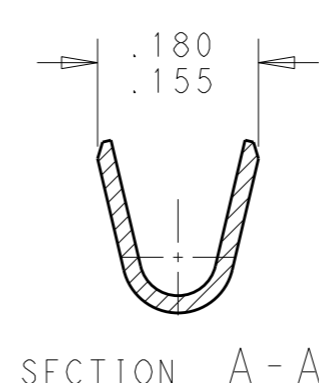
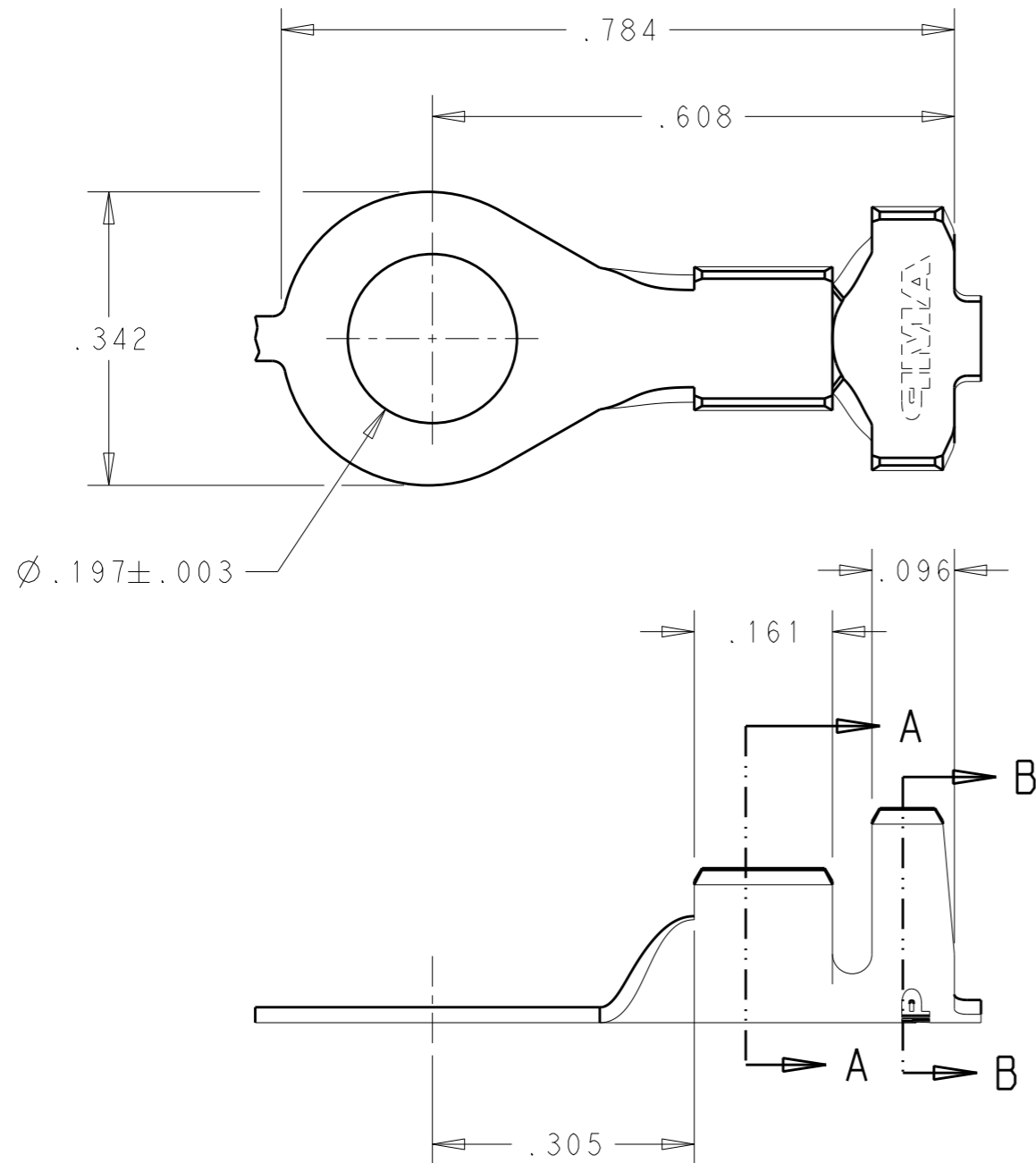
© COPYRIGHT - BY - TE CONNECTIVITY ALL RIGHTS RESERVED.

REVISIONS

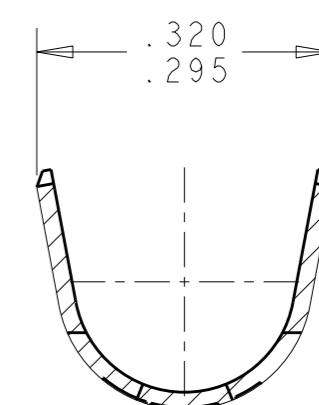
P	LTR	DESCRIPTION	DATE	DWN	APVD
	F2	REVISED PER ECR-17-008062	05JUN2017	BW	FV

CRIMPING DATA

TYPE	SIZE	INSULATION RANGE	TYPE	SIZE	CRIMP HEIGHT	WIRE SIZE	PAO LTR	WIRE RANGE	FEED	APPL INST
F	.280	.150-.250, (2).125	F	.140	.067	(1)16 OR (2)18	D	16-12, (2)16, (2)18	.855	A1 8039
					.073	14	C			
					.078	(2)16	B			
					.084	12	A			
INSULATION BARREL CRIMP					WIRE BARREL CRIMP					




SECTION A-A



SECTION B-B

WIRE SIZE	INSUL SIZE(2)
16-12	Ø .125

NICKEL PLATED STEEL	640253-4
REELED WITH "U" S UP	640253-2
REELED WITH "U" S UP	640253-1
PLATING	PART NUMBER

THIS DRAWING IS A CONTROLLED DOCUMENT.		DWN	-	 TE Connectivity			
DIMENSIONS: INCHES		CHK	-				
TOLERANCES UNLESS OTHERWISE SPECIFIED:		APVD	-	NAME			
0 PLC ±-		PRODUCT SPEC	-	RING			
1 PLC ±-		APPLICATION SPEC	-	-			
2 PLC ±-		WEIGHT	-	SIZE	CAGE CODE	DRAWING NO	RESTRICTED TO
3 PLC ±.015		CUSTOMER DRAWING		A3	00779	C-640253	-
4 PLC ±-		SCALE	5:1	SHEET	1 OF 1	REV	F2
ANGLES ±-							
MATERIAL	FINISH						
.018 BRASS	TIN						

X-ON Electronics

Largest Supplier of Electrical and Electronic Components

Click to view similar products for [Terminals](#) category:

Click to view products by [TE Connectivity](#) manufacturer:

Other Similar products are found below :

[00-054007-01074-6](#) [00-054007-70206-1](#) [00-054007-70210-8](#) [00-054007-70217-7](#) [00-054007-70226-9](#) [00-054007-70228-3](#) [00-054007-70248-1](#) [00-054007-70256-6](#) [00-054007-70301-3](#) [00-054007-70316-7](#) [0-0320562-0](#) [00-054007-49560-4](#) [00-054007-70209-2](#) [00-054007-70225-2](#) [00-054007-70227-6](#) [00-054007-70231-3](#) [00-054007-70241-2](#) [00-054007-70242-9](#) [00-054007-70244-3](#) [00-054007-70246-7](#) [00-054007-70263-4](#) [00-054007-70288-7](#) [00-054007-70290-0](#) [00-054007-70300-6](#) [00-054007-70304-4](#) [01-2065-1-0216](#) [01-2900-1-04412](#) [00581P0075](#) [600TS-10](#) [60205-1](#) [604200-1](#) [605601-1](#) [60598-1-CUT-TAPE](#) [61314-6-C](#) [61810-3](#) [61-S](#) [61-SN](#) [626-0194](#) [62-NBM-A](#) [62-SN](#) [62-SP](#) [63-S](#) [640179-1](#) [M55155/059I03](#) [M55155/079C01](#) [M55155/099H02](#) [M55155/109H01](#) [M55155/109H02](#) [M55155/12XH05](#) [M55155/16XH02](#)