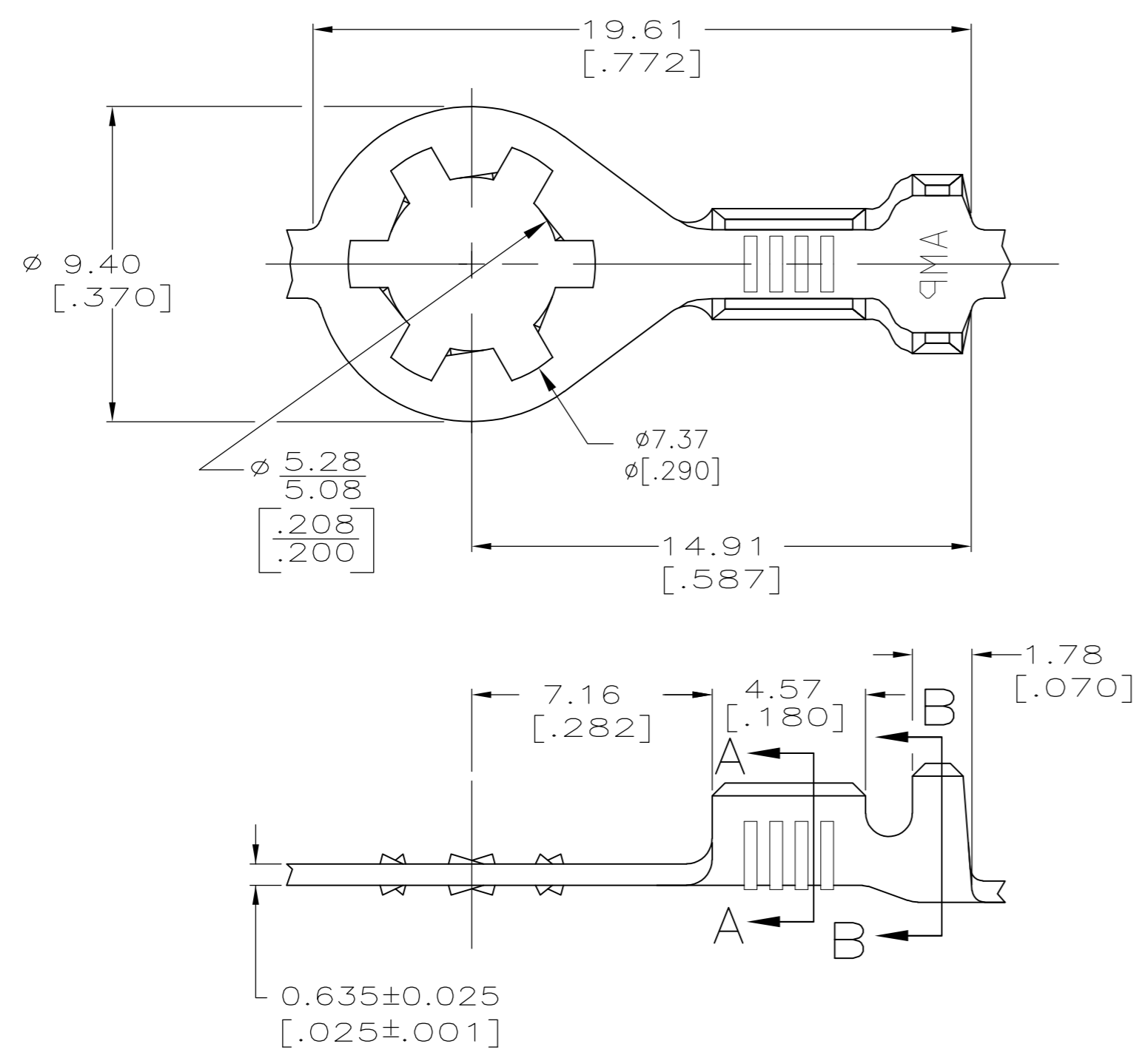
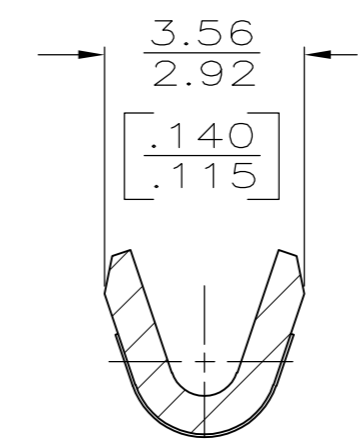


THIS DRAWING IS UNPUBLISHED. RELEASED FOR PUBLICATION
 © COPYRIGHT BY TYCO ELECTRONICS CORPORATION. ALL RIGHTS RESERVED.

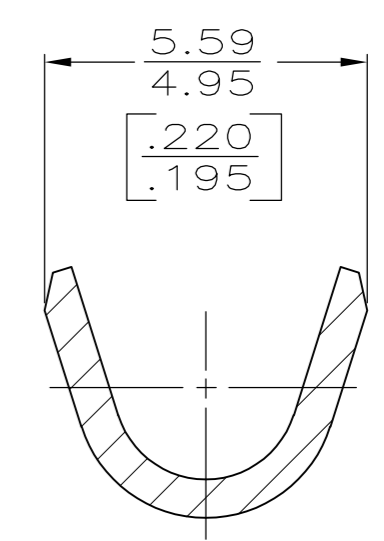
LOC	DIST	REVISIONS			
P	LTR	DESCRIPTION	DATE	DWN	APVD
AF	50	G1	REVISED PER ECR-08-007950	10APR08	HMR DD
		G2	REVISED PER ECR-14-016318	03NOV14	L.P.T.D



- 1 CONTINUOUS STRIP ON REELS.
- 2 0.02032 [0.00080] MIN BRIGHT TIN PLATE OVER 0.0127 [0.00050] MIN NICKEL UNDERPLATE.
- 3 WIRE RANGE: 0.3-0.8mm² [22-18] AWG.
- 4 INSULATION RANGE: 2.03-3.05 [0.080-.120] DIA.
- 5 0.02032 [0.00080] MIN TIN PLATE.
- 6 PREPRODUCTION - F.A.S.R. REQUIRED.
- 7 SUBSTITUTED BY P/N 640271-3



SECTION A-A
SCALE 8:1



SECTION B-B
SCALE 8:1

TYPE	WIDTH	STRIP LENGTH	TYPE	WIDTH	±0.051 [0.002] HEIGHT	WIRE
F or O	4.57 [0.180]	6.35 [0.250]	F	2.54 [0.100]	1.75 [0.069]	0.8mm ² [18]
					1.65 [0.065]	0.5mm ² [20]
					1.60 [0.063]	0.3mm ² [22]
INSUL BARREL CRIMP		±0.38 [±0.015]	WIRE BARREL CRIMP			

5	640271-3
	-
7 OBSOLETE	2 640271-1
FINISH	PART NUMBER

THIS DRAWING IS A CONTROLLED DOCUMENT.

DWN	02MAY2003	MICHAEL S. FEHER	Tyco Electronics Corporation Harrisburg, PA 17105-3608			
CHK	02MAY2003	D.F. DECKER				
APVD	02MAY2003	D.F. DECKER				
NAME	RING					
DIMENSIONS: INCHES	TOLERANCES UNLESS OTHERWISE SPECIFIED:	0 PLC ± -	SIZE	CAGE CODE	DRAWING NO	RESTRICTED TO
		1 PLC ± -	A2	00779	C=640271	-
		2 PLC ± -	WEIGHT	SCALE 6:1		SHEET 1 of 1
		3 PLC ± 0.25 [0.010]	CUSTOMER DRAWING	REV G2		
		4 PLC ± -				
		ANGLES ± -				
MATERIAL	FINISH	SEE TABLE				
#2 HARD STEEL						

X-ON Electronics

Largest Supplier of Electrical and Electronic Components

Click to view similar products for [Terminals](#) category:

Click to view products by [TE Connectivity](#) manufacturer:

Other Similar products are found below :

[00-054007-01074-6](#) [00-054007-70206-1](#) [00-054007-70210-8](#) [00-054007-70217-7](#) [00-054007-70226-9](#) [00-054007-70228-3](#) [00-054007-70248-1](#) [00-054007-70256-6](#) [00-054007-70301-3](#) [00-054007-70316-7](#) [0-0320562-0](#) [00-054007-49560-4](#) [00-054007-70209-2](#) [00-054007-70225-2](#) [00-054007-70227-6](#) [00-054007-70231-3](#) [00-054007-70241-2](#) [00-054007-70242-9](#) [00-054007-70244-3](#) [00-054007-70246-7](#) [00-054007-70263-4](#) [00-054007-70288-7](#) [00-054007-70290-0](#) [00-054007-70300-6](#) [00-054007-70304-4](#) [01-2065-1-0216](#) [01-2900-1-04412](#) [00581P0075](#) [600TS-10](#) [60205-1](#) [604200-1](#) [605601-1](#) [60598-1-CUT-TAPE](#) [61314-6-C](#) [61810-3](#) [61-S](#) [61-SN](#) [626-0194](#) [62-NBM-A](#) [62-SN](#) [62-SP](#) [63-S](#) [640179-1](#) [M55155/059I03](#) [M55155/079C01](#) [M55155/099H02](#) [M55155/109H01](#) [M55155/109H02](#) [M55155/12XH05](#) [M55155/16XH02](#)